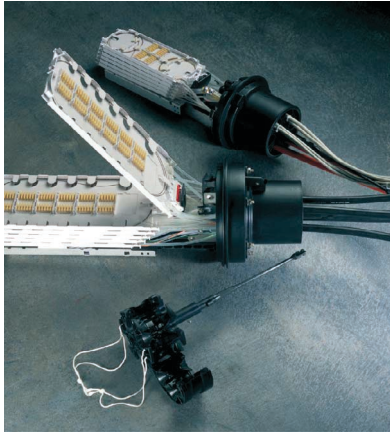


FOSC-450 Product Range

Ordering Guide



Ordering Guide of the Gel Sealed Splice Closure (FOSC-450)



1 Product description	2
2 Ordering information	3
2.1 Basic FOSC closures	3
2.2 FOSC closure accessories	4
3 Product guide	5
3.1 Closure description	5
3.2 Closure dimensions	7
3.3 Closure capacity	7
3.4 Accessories	7

1 Product description

The FOSC 450 products are fully mechanical butt-type closures used in the outside plant network when mass splice storage is the main requirement.

They are available in 4 different sizes and are typically used as track joints.

The FOSC-450 closures are made of a thermoplastic material.

The base and dome are sealed with a clamp and an O-ring system.

4 or 6 round cable ports are provided in a wrap-around block with pre-installed gel profile for cable sealing. This block can be opened and closed repeatedly without the need to remove or replace the gel. The gel block allows bringing in cables gradually without disturbing already installed cables.

Depending on the closure size, the splicing trays can contain from 8 to 96 splices.

All splicing trays are hinged at one end so that any fiber can be accessed without disturbing fiber on other trays, kinking buffer tubes or introducing losses.

All cable termination and sealing functions are provided with the closures.

Uncut loose buffer tube storage is provided in optional storage baskets.

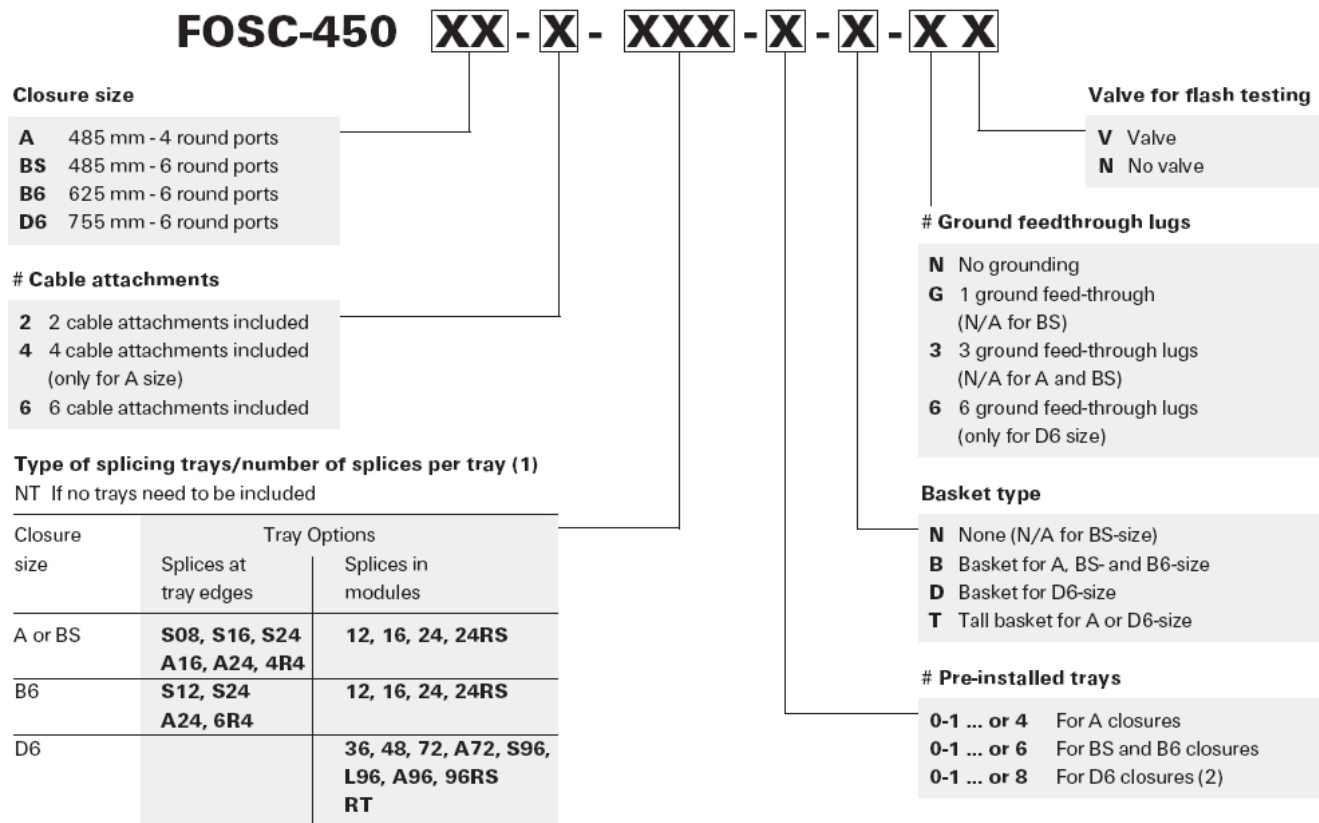


GCOG2OG2.JPG

2 Ordering information

2.1 Basic FOSC closures

The FOSC-450 closure is available in 4 different sizes. According to the application, many configurations are possible. Refer to section 3.0 for full product descriptions.



(1) Type of splice holder

- SMOUV heat-shrinkable (45 mm)
- L SMOUV heat-shrinkable (60 mm)
- A ANT splice protector
- RS RECORDsplice
- R4 Ribbon 4
- RT Ribbon 12

(2) If 7 or 8 trays are required, a storage basket can not be used



7N3K3194.JPG

Standard kit content:

- Dome
- Clamp
- O-ring
- Base including gel block with trigger
- Plugs for the unused cable ports
- Silica gel
- Allen Key
- Mounting bracket to hold the hingeable FOSC trays
- FOSC trays (quantity according to the ordering description)
- Cable attachments (quantity according to the ordering description) - Installation Instructions

2.2 FOSC closure accessories

2.2.1 Cable accessories

Name	Qty/Pk	Description
FOSC-450-CA-S-1	1 pc	Cable attachment device (loose tube, central core)
FOSC-450-CA-S-10	10 pc	Cable attachment device (loose tube, central core)
FOSC-450-MULTI4/7	1 pc	Multiple cable attachment device + seal for up to 4 cables/port Cable diameter 4 to 7mm

2.2.2 Splicing trays & storage baskets

Splicing trays are normally ordered as part of the closure kit. If needed, trays can be ordered separately as well. For more information on splicing trays, refer to the FOSC splicing trays and storage baskets ordering guide.

2.2.3 Mounting kits & work stand

Consult the MOBRA ordering guide for a schematic overview and detailed descriptions.

Name	Qty/Pk	Description
FOSC-A/B-POLE-MOUNT	1 pc	Plastic bracket for mounting a A+B closure onto a pole
FOSC-A/B-UNI-MOUNT-P	1 pc	Metal bracket for mounting a A+B closure onto a pole
FOSC-A/B-UNI-MOUNT-A	1 pc	Metal bracket for mounting a A+B closure aerially
FOSC-A/B-UNI-MOUNT-R	1 pc	Metal bracket for mounting a A+B closure onto a rod
FOSC-A/B-UNI-MOUNT-W	1 pc	Metal bracket for mounting a A+B closure onto a wall
FOSC-450D-POLE-MOUNT	1 pc	Metal bracket for mounting the D6 closure onto a pole

2.2.4 Miscellaneous

Name	Qty/Pk	Description
FOSC-A-SHIELD-CON-KIT	1 pc	6 shield continuity wires + clamp and 5 wire connection clips

2.2.5 Installation kit components

Name	Qty/Pk	Description
FISTV-E7100-1005	10x 100 g	Silicagel for inside the closure, to be replaced after each re-entry
FOSC-FUNNEL-5+1-KIT	1 kit	Kit to split a central or slotted core cable into a loose tube construction (1 in, 5 out)
FOSC-FUNNEL-10+1-KIT	1 kit	Kit to split a central or slotted core cable into a loose tube construction (1 in, 10 out)

3 Product guide

3.1 Closure description



7N3K3194.JPG

Dome

The dome is made from a polymer, ribbed for extra strength. 4 different sizes are available:

- FOSC-450-A
- FOSC-450-BS
- FOSC-450-B6
- FOSC-450-D6



GCOG017.JPG

Base

The base houses the gel block and the foundation for the FOSC tray tower.



GCOG20G2.JPG

Gel block with trigger

Six round cable ports are provided in a wraparound block with pre-installed gel profile. This block has to be placed in the base so that the gel can be compressed by turning the trigger. The compressed gel provides the cable sealing.



GC20G009.JPG

Dome to base seal

This seal consists of a mechanical clamp and a rubber O-ring.

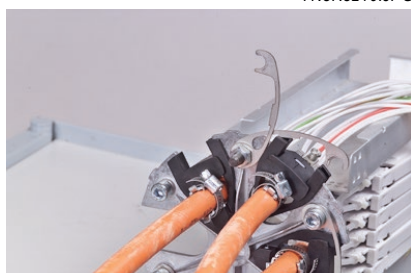


7N3K3210.JPG

Cable attachment

The cable attachment device grips the cable jacket and allows attaching the cable strength members at the strength member termination plate.

Two or six devices can be delivered in the kit (defined in the name string).



7N3K3213.JPG



GCOG20G7.JPG

Ground feed-through

A sealed grounding feed-through bolt can be pre-mounted in the base to connect metallic components to an external ground.



7N3K4455.JPG

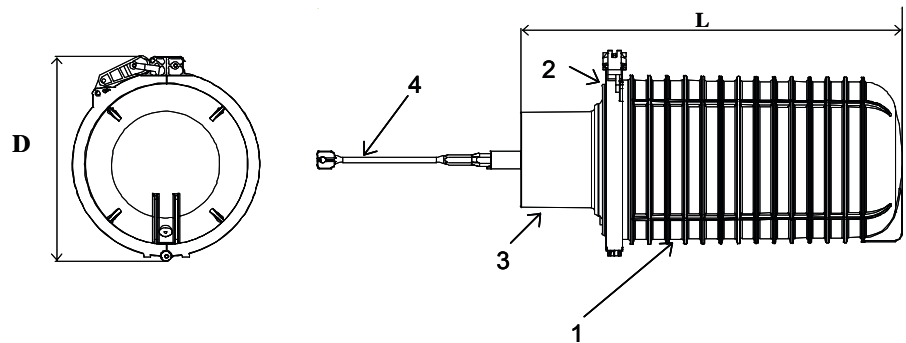
Flash test valve

This is pre-mounted in the dome if pressure access is required.

3.2 Closure dimensions

Drawing key

- 1 Dome
- 2 Clamp
- 3 Base
- 4 Trigger



Dimensions in mm	Closure size			
	A	BS	B6	D6
Total closure length (excl. gel trigger)	485	490	620	753
Closure outer diameter, including clamp	205	232	246	291

3.3 Closure capacity

	Closure size			
	A	BS	B6	D6
Splice capacity (in # of fibers)				
FOSC tray capacity	4 A-trays	6 A-trays	6 B-trays	8 D-trays
Single fiber	96	144	144	768
Ribbon 12				1152
Cable ports				
- # round cable ports	4	6	6	6
- cable Ø range	8-22mm (2x)	9-25 mm	9-25 mm	9-25 mm
	10-28mm (2x)			

3.4 Accessories

The following accessories are ordered separately for field installation

3.4.1 Cable accessories



7N3K4454.JPG

Cable attachment device

FOSC-450-CA-S-1 (or -10 for 10 pieces)

The cable attachment device grips the cable jacket and allows attaching the cable strength members at the strength member termination plate.

Only for use in BS, B6 or D6 size.



7P2P0301.JPG

Multiple cable attachment device

FOSC-450-MULTI4/7

Cable attachment + seal for up to 4 cables per port. Cable diameter: 4 to 7mm.

Includes 3 dummy rods.

Only for use in BS, B6 or D6 size.

3.4.2 Splicing trays and storage baskets

Splicing trays and storage baskets are normally ordered as part of the closure kit. Refer to the ordering guide of FOSC splicing trays and storage baskets for more information and ordering references.

3.4.3 Mounting kits & work stand

Consult the MOBRA ordering guide for a schematic overview.



7N752051.JPG

B/BS pole mounting kit

FOSC-A/B-POLE-MOUNT

Plastic accessories for mounting A, B6 or BS size closure onto a pole.



7N752056.JPG

B/BS aerial mounting kit

FOSC-A/B-UNI-MOUNT-P

Accessories to be mounted onto the dome of A, B6 or BS size closure and straps to attach the closure onto a pole.



7N752055.JPG

B/BS aerial mounting kit

FOSC-A/B-UNI-MOUNT-A

Accessories to be mounted on the dome of A, B6 or BS size closure for aerial mounting on stranded cable.



7N752057.JPG

B/BS rod mounting kit

FOSC-A/B-UNI-MOUNT-R

These components are mounted onto the dome of A, B6 or BS size closure for mounting it on a rod.



7N752054.JPG

B/BS wall mounting kit FOSC-A/B-UNI-MOUNT-W

Accessories to be mounted onto the dome of A, B6 or BS size closure and plugs and screws to attach it to the wall.



7N752064.JPG

D pole mounting kit FOSC-450D-POLE-MOUNT

Metal bracket, plugs and screws to mount the D size closure onto a wall/pole.

3.4.4 Installation kit components



I&C034.JPG

Silica gel FISTV-E7100-1005

Silica gel for inside the closure, to be replaced after each re-entry.
This kit contains 10x 100g.



F4002.JPG

Slotted core/central core termination kit FOSC-FUNNEL-X+1-KIT

This kit transforms a slotted or central core (OD = 8 mm) into a loose tube construction.
Two different versions are available: with five 2.8 mm or ten 1.8 mm outgoing transportation tubes.
(In the product name, X = 5 or 10)



www.commscope.com

Visit our website or contact your local CommScope representative for more information.

© 2015 CommScope, Inc. All rights reserved.

FOSC and trademarks identified by ® or ™ are registered trademarks or trademarks, respectively, of CommScope, Inc.

This document is for planning purposes only and is not intended to modify or supplement any specifications or warranties relating to CommScope products or services.

OG-321675-EU (11/2015) revised from OG/FOSC-450/1/02/07