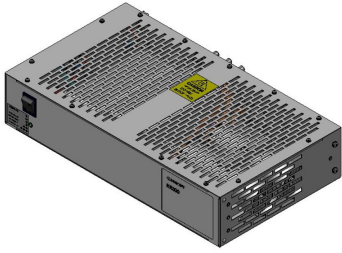


HR300



Heat Regenerated Dehydrator, 19 in rack mountable, 3.0 kPa (0.44 psig), with summary alarms, 48 Vdc ((ac operation possible using optional power supply purchased separately)

OBSOLETE

This product was discontinued on: September 1, 2023

Product Classification

Product Type Dehydrator

General Specifications

Alarm Type	Summary
Cut In/Out Pressure Type	Continuous (default set to 3.0 kPa 0.4 psig)
Dehydrator Type	Automatically regenerating Desiccant
Dew Point	Better than -45 °C (-50 °F) at 95% RH at +40 °C (+104 °F)
Flow Rate, nominal	5 SLPM
High-Humidity Alarm	10% RH, optional, sold separately
High-Pressure Alarm	Factory set (default set to 4.5 kPa 0.7 psig)
Low-Pressure Alarm	Factory set (default set to 1.5 kPa 0.22 psig)
Mounting	Rack
Port Count	4
Port Type	3/8 in PE tube
Power Cord	dc power cord
Rack Type	EIA 19 in ETSI N3 (optional)
Rack Units	2
Regulated Output Pressure Type	Factory set, continuous

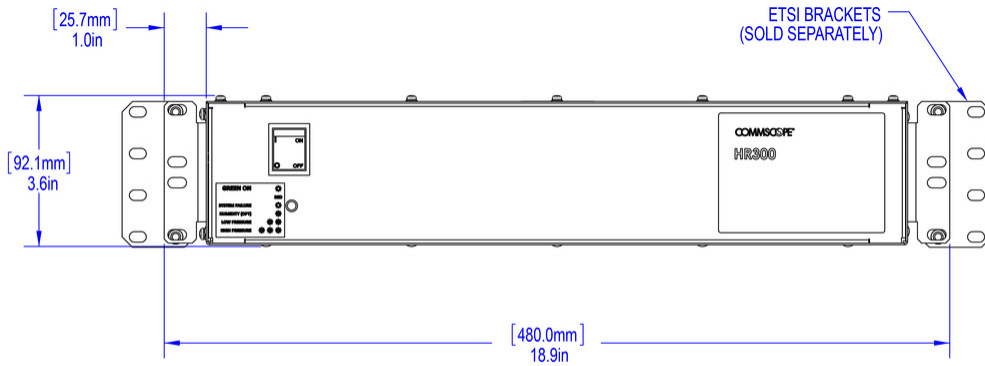
Dimensions

HR300

Product Height	91.8 mm 3.614 in
Product Width	439.4 mm 17.299 in
Product Depth	304.8 mm 12 in
Volume Capacity, maximum	1 m ³ 35.315 ft ³

HR300

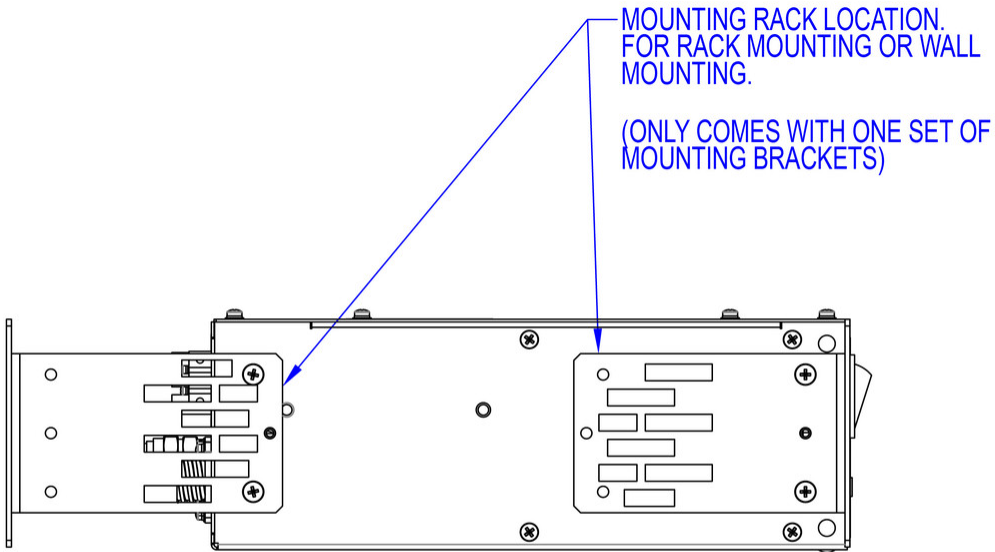
Outline Drawing–Front



HR300 FRONT VIEW

HR300

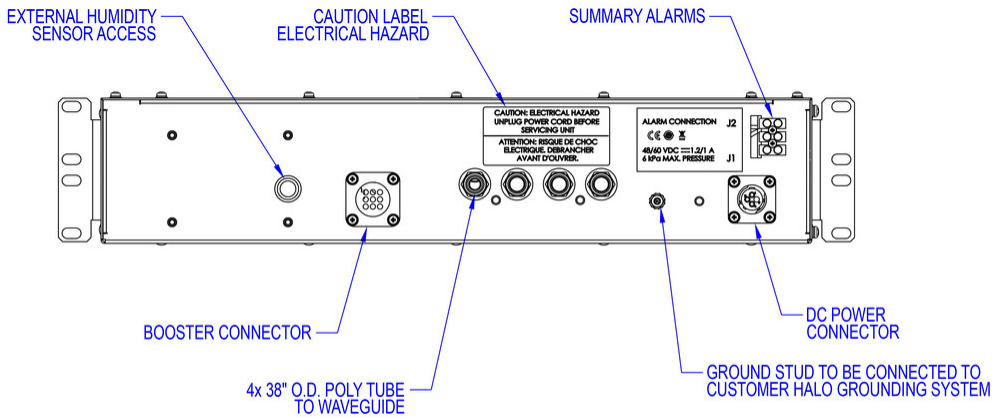
Outline Drawing–Side



HR300 SIDE VIEW

HR300

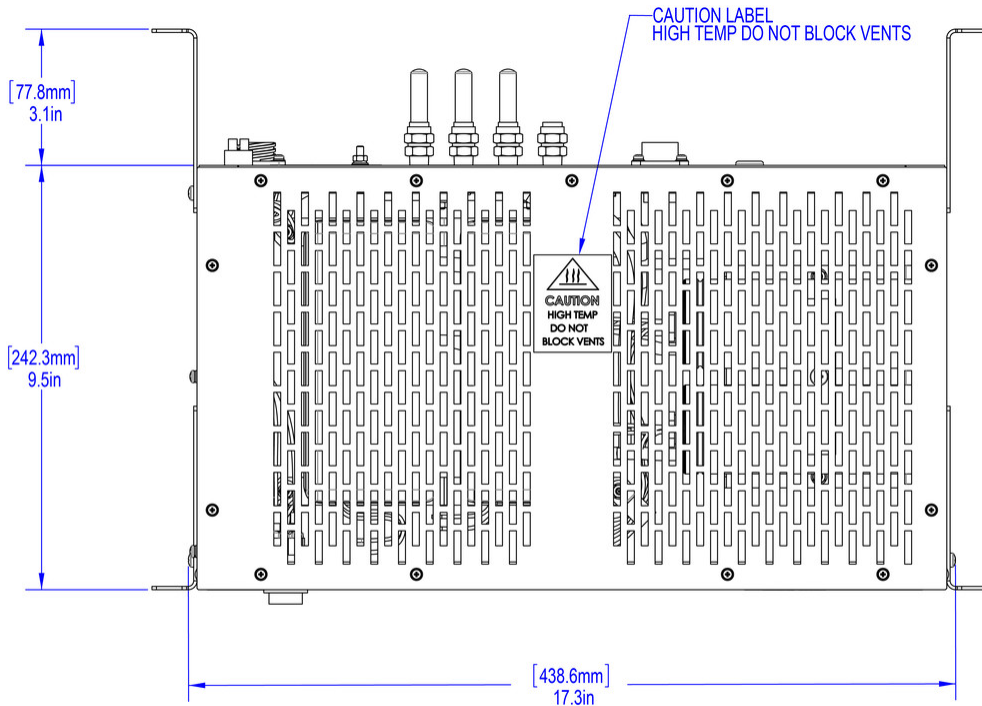
Outline Drawing—Back



HR300 BACK VIEW

HR300

Outline Drawing–Top



HR300 TOP VIEW

Electrical Specifications

Alarm Contact Rating	Handles at least 0.5 A (ac or dc)
Power Consumption, maximum	45 W
Voltage	48–60 Vdc \pm 10%
Voltage Type	dc

Environmental Specifications

Operating Temperature	-5 °C to +50 °C (+23 °F to +122 °F)
------------------------------	-------------------------------------

Packaging and Weights

Weight, gross	11.2 kg 24.692 lb
Weight, net	6.3 kg 13.889 lb

Regulatory Compliance/Certifications

Agency	Classification
--------	----------------

HR300

CHINA-ROHS	Above maximum concentration value
ISO 9001:2015	Designed, manufactured and/or distributed under this quality management system
ROHS	Compliant/Exempted
UK-ROHS	Compliant/Exempted

