

UNX001U-2P



2-port omni antenna, 2x 713-803 MHz, 360° horizontal beamwidth.

This product will be discontinued on: November 30, 2024

General Specifications

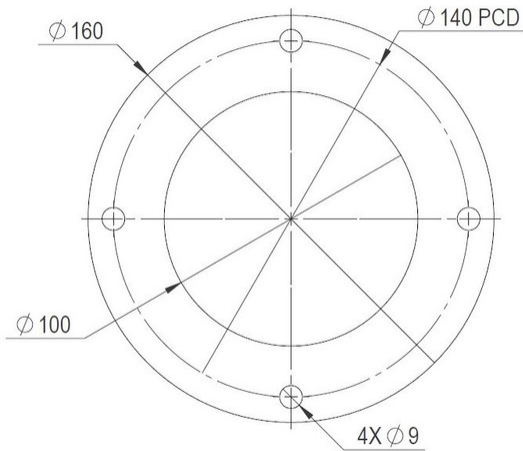
Antenna Type	Omni
Band	Single band
Grounding Type	RF connector body grounded to mounting interface
Performance Note	Outdoor usage
Radome Material	Fiberglass, UV resistant
Radiator Material	Brass Copper
RF Connector Interface	4.3-10 Female
RF Connector Location	Bottom
RF Connector Quantity, low band	2
RF Connector Quantity, total	2

Dimensions

Length	978 mm 38.504 in
Net Weight, without mounting kit	5 kg 11.023 lb
Outer Diameter	82 mm 3.228 in

Mounting Hole Pattern

UNX001U-2P



Electrical Specifications

Impedance	50 ohm
Operating Frequency Band	713 – 803 MHz
Polarization	Horizontal Vertical
Total Input Power, maximum	160 W @ 50 °C

Electrical Specifications

Frequency Band, MHz	713–803
Gain, dBi	4.9
Beamwidth, Horizontal, degrees	360
Beamwidth, Vertical, degrees	56.6
Beam Tilt, degrees	0
USLS (First Lobe), dB	12
Isolation, Cross Polarization, dB	28
VSWR Return loss, dB	1.6 12.7
PIM, 3rd Order, 2 x 20 W, dBc	-145
Input Power per Port, maximum, watts	80

Electrical Specifications, BASTA

Frequency Band, MHz	713–803
----------------------------	----------------

UNX001U-2P

Gain by all Beam Tilts, average, dBi	4.1
Gain by all Beam Tilts Tolerance, dB	±1.9
Beamwidth, Vertical Tolerance, degrees	±5.9
CPR at Sector, dB	28.9

Mechanical Specifications

Wind Loading @ Velocity, frontal	76.0 N @ 150 km/h (17.1 lbf @ 150 km/h)
Wind Speed, maximum	241 km/h (150 mph)

Packaging and Weights

Width, packed	251 mm 9.882 in
Depth, packed	237 mm 9.331 in
Length, packed	1105 mm 43.504 in
Weight, gross	7.8 kg 17.196 lb

Regulatory Compliance/Certifications

Agency	Classification
ISO 9001:2015	Designed, manufactured and/or distributed under this quality management system



* Footnotes

Performance Note	Severe environmental conditions may degrade optimum performance
-------------------------	---