

# UPK010SP

---

Adjustable Tilt Pipe Mounting Kit for 2.0"-4.5" (50-115mm) OD round members for panel antennas.

Adjustable Tilt Pipe Mounting Kit for 2.0"-4.5" (50-115mm) OD round members for panel antennas. Includes 2 clamp sets.; Adjustable Tilt Pipe Mounting Kit for 3.0" (75mm) OD round members for panel antennas. Includes 2 clamp sets.; Omni Antenna Steering Pole

**OBSOLETE**

This product was discontinued on: March 27, 2020

## Product Classification

**Product Type** Pipe mount kit

## General Specifications

**Application** Outdoor

**Color** Silver

## Dimensions

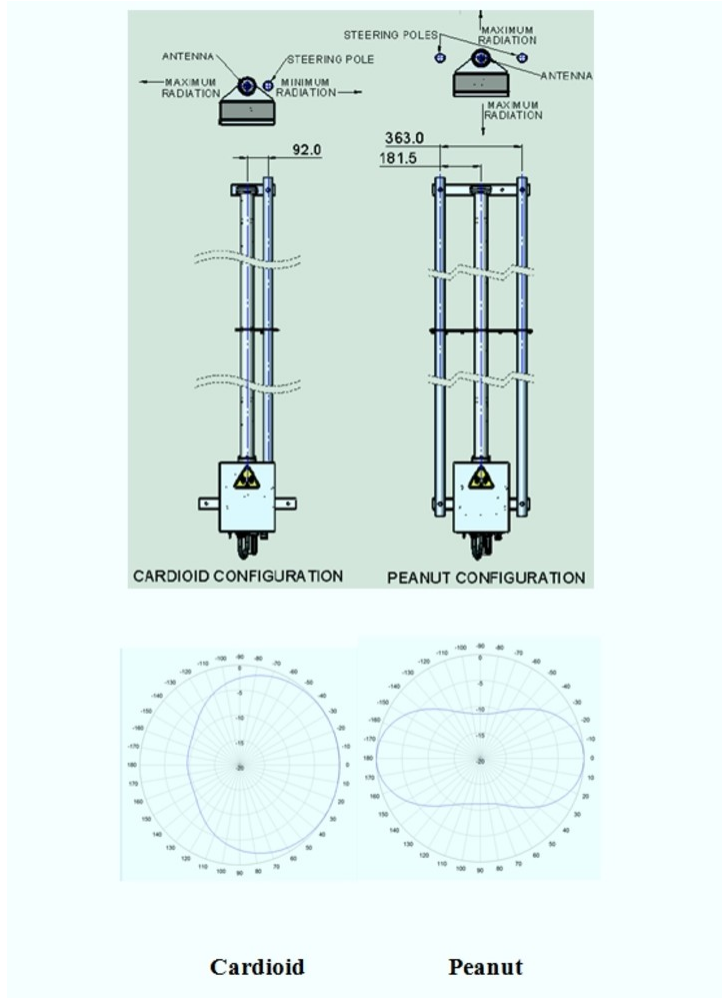
**Compatible Diameter, maximum** 114.3 mm | 4.5 in

**Compatible Diameter, minimum** 76.2 mm | 3 in

**Weight, net** 21.3 kg | 46.958 lb

# UPK010SP

## Outline Drawing



## Material Specifications

**Material Type** Aluminum | Stainless steel

## Packaging and Weights

**Included** Brackets | Hardware

**Packaging quantity** 1

## Regulatory Compliance/Certifications

**Agency** CHINA-ROHS  
**Classification** Below maximum concentration value

# UPK010SP

---

ISO 9001:2015

Designed, manufactured and/or distributed under this quality management system

REACH-SVHC

Compliant as per SVHC revision on [www.commscope.com/ProductCompliance](http://www.commscope.com/ProductCompliance)

ROHS

Compliant

