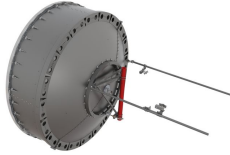


USX12-7W-6GF



3.6m | 12ft Sentinel® Ultra High Performance, Super High XPD Antenna, dual-polarized, 7.125 – 8.500 GHz, CPR112G flange

Product Classification

Product Type Microwave antenna

General Specifications

Antenna Type	USX - Sentinel® Ultra High Performance, Super High XPD Antenna, dual-polarized
Polarization	Dual
Antenna Input	CPR112G
Antenna Color	Gray
Reflector Construction	Two-piece reflector
Radome Color	Gray
Radome Material	Fabric
Flash Included	Yes
Side Struts, Included	2
Side Struts, Optional	3

Dimensions

Diameter, nominal 3.6 m | 12 ft

Electrical Specifications

Operating Frequency Band	7.125 – 8.500 GHz
Gain, Low Band	46 dBi
Gain, Mid Band	46.8 dBi
Gain, Top Band	47.6 dBi
Boresite Cross Polarization Discrimination (XPD)	40 dB
Front-to-Back Ratio	80 dB

USX12-7W-6GF

Beamwidth, Horizontal	0.8 °
Beamwidth, Vertical	0.8 °
Return Loss	26 dB
VSWR	1.1
Radiation Pattern Envelope Reference (RPE)	7434
Electrical Compliance	ACMA FX03_7p5a Brazil Anatel Class 2 ETSI 302 217 Class 3
Cross Polarization Discrimination (XPD) Electrical Compliance	ETSI EN 302217 XPD Category 3

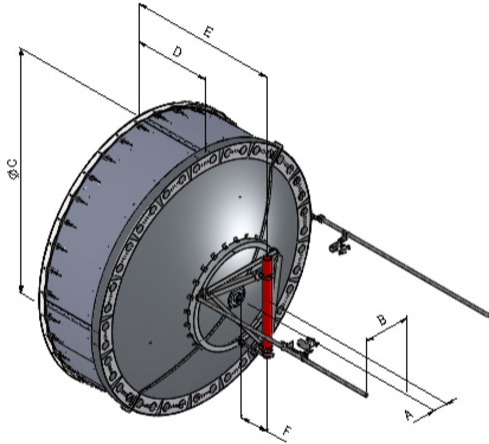
Mechanical Specifications

Compatible Mounting Pipe Diameter	115 mm 4.5 in
Fine Azimuth Adjustment Range	±5°
Fine Elevation Adjustment Range	±5°
Wind Speed, operational	180 km/h 111.847 mph
Wind Speed, survival	200 km/h 124.274 mph

USX12-7W-6GF

Antenna Dimensions and Mounting Information

HX / USX12



Dimensions in inches (mm)						
Antenna size, ft (m)	A	B	C	D	E	F
12 (3.6)	8.5 (216)	28.2 (715)	149.3 (3793)	46.3 (1177)	81.5 (2069)	10.6 (269)

Wind Forces at Wind Velocity Survival Rating

Axial Force (FA)	26750 N 6,013.641 lbf
Angle a for MT Max	-120 °
Side Force (FS)	9450 N 2,124.445 lbf
Twisting Moment (MT)	-17550 N-m -155,330.594 in lb
Force on Inboard Strut Side	13000 N 2,922.517 lbf
Force on Outboard Strut Side	4500 N 1,011.64 lbf
Zcg without Ice	708 mm 27.874 in
Zcg with 1/2 in (12 mm) Radial Ice	854 mm 33.622 in

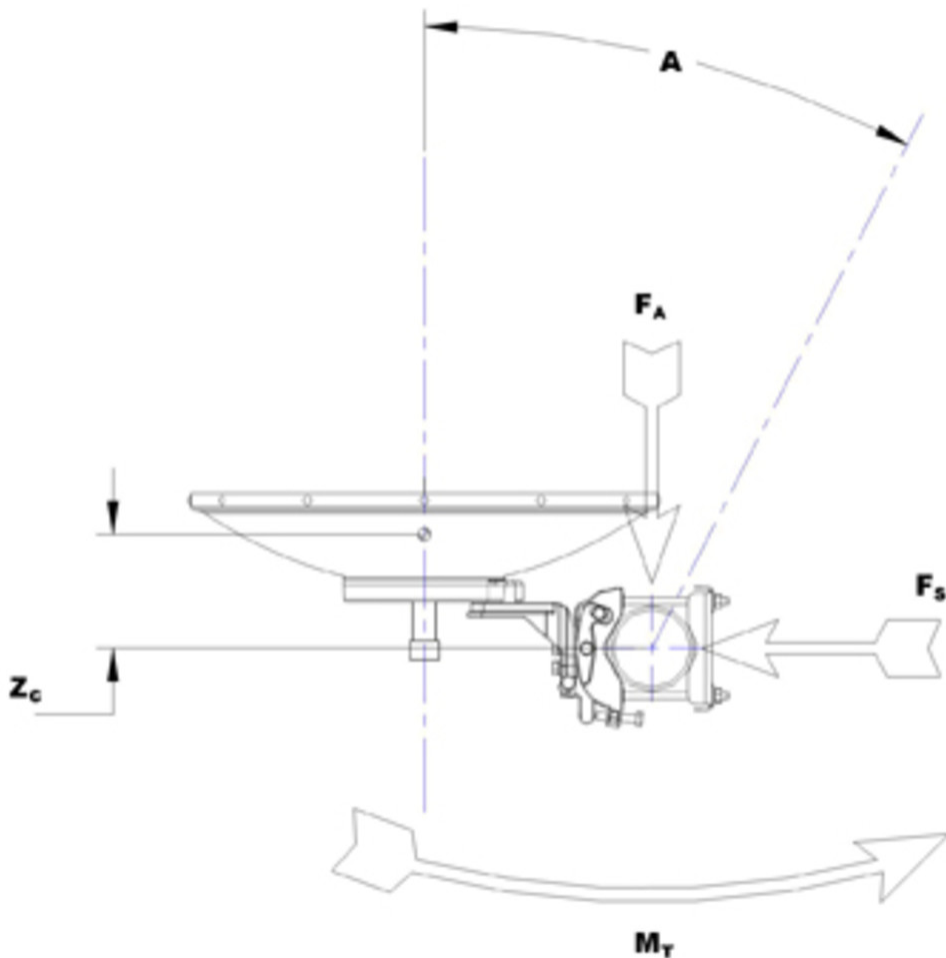
USX12-7W-6GF

Weight with 1/2 in (12 mm) Radial Ice

656 kg | 1,446.231 lb

USX12-7W-6GF

Wind Forces at Wind Velocity Survival Rating Image



Packaging and Weights

Height, packed	1530 mm 60.236 in
Width, packed	2140 mm 84.252 in
Length, packed	3990 mm 157.087 in
Packaging Type	Standard pack
Volume	13 m ³ 459.091 ft ³
Weight, gross	661 kg 1,457.254 lb
Weight, net	361 kg 795.868 lb

Regulatory Compliance/Certifications

USX12-7W-6GF

Agency

ISO 9001:2015



Classification

Designed, manufactured and/or distributed under this quality management system

* Footnotes

Operating Frequency Band

Bands correspond with CCIR recommendations or common allocations used throughout the world. Other ranges can be accommodated on special order.

Gain, Mid Band

For a given frequency band, gain is primarily a function of antenna size. The gain of Andrew antennas is determined by either gain by comparison or by computer integration of the measured antenna patterns.

Boresite Cross Polarization Discrimination (XPD)

The difference between the peak of the co-polarized main beam and the maximum cross-polarized signal over an angle twice the 3 dB beamwidth of the co-polarized main beam.

Front-to-Back Ratio

Denotes highest radiation relative to the main beam, at $180^\circ \pm 40^\circ$, across the band. Production antennas do not exceed rated values by more than 2 dB unless stated otherwise.

Return Loss

The figure that indicates the proportion of radio waves incident upon the antenna that are rejected as a ratio of those that are accepted.

VSWR

Maximum; is the guaranteed Peak Voltage-Standing-Wave-Ratio within the operating band.

Radiation Pattern Envelope Reference (RPE)

Radiation patterns define an antenna's ability to discriminate against unwanted signals. Under still dry conditions, production antennas will not have any peak exceeding the current RPE by more than 3dB, maintaining an angular accuracy of $\pm 1^\circ$ throughout

Cross Polarization Discrimination (XPD) Electrical Compliance

The difference between the peak of the co-polarized main beam and the maximum cross-polarized signal over an angle twice the 3 dB beamwidth of the co-polarized main beam.

Wind Speed, operational

For VHLP(X), SHP(X), HX and USX antennas, the wind speed where the maximum antenna deflection is $0.3 \times$ the 3 dB beam width of the antenna. For other antennas, it is defined as a deflection is equal to or less than 0.1 degrees.

Wind Speed, survival

The maximum wind speed the antenna, including mounts and radomes, where applicable, will withstand without permanent deformation. Realignment may be required. This

USX12-7W-6GF

wind speed is applicable to antenna with the specified amount of radial ice.

Axial Force (FA)

Maximum forces exerted on a supporting structure as a result of wind from the most critical direction for this parameter. The individual maximums specified may not occur simultaneously. All forces are referenced to the mounting pipe.

Side Force (FS)

Maximum side force exerted on the mounting pipe as a result of wind from the most critical direction for this parameter. The individual maximums specified may not occur simultaneously. All forces are referenced to the mounting pipe.

Twisting Moment (MT)

Maximum forces exerted on a supporting structure as a result of wind from the most critical direction for this parameter. The individual maximums specified may not occur simultaneously. All forces are referenced to the mounting pipe.

Packaging Type

Andrew standard packing is suitable for export. Antennas are shipped as standard in totally recyclable cardboard or wire-bound crates (dependent on product). For your convenience, Andrew offers heavy duty export packing options.