

CZ0667-000 | CB-S2B2



Fiber Optic Connector box, outdoor, black, one SC/APC adapter, Express drop cable application

- designed for pre-terminated connectors or FIC in outdoor drop cable application
- accommodates industry standard SC adapters in outdoor aerial ,wall-mounted or pole installation
- used for emergency repairs and maintenance, or urgent service turn-up requests
- supports figure-8 and 3mm drop cable, with option of 4.5mm-5mm outdoor drop cables

OBSOLETE

This product was discontinued on: December 6, 2018

Product Classification

Regional Availability	Asia Australia/New Zealand EMEA Latin America North America
Product Type	Fiber adapter enclosure
Product Series	CB

General Specifications

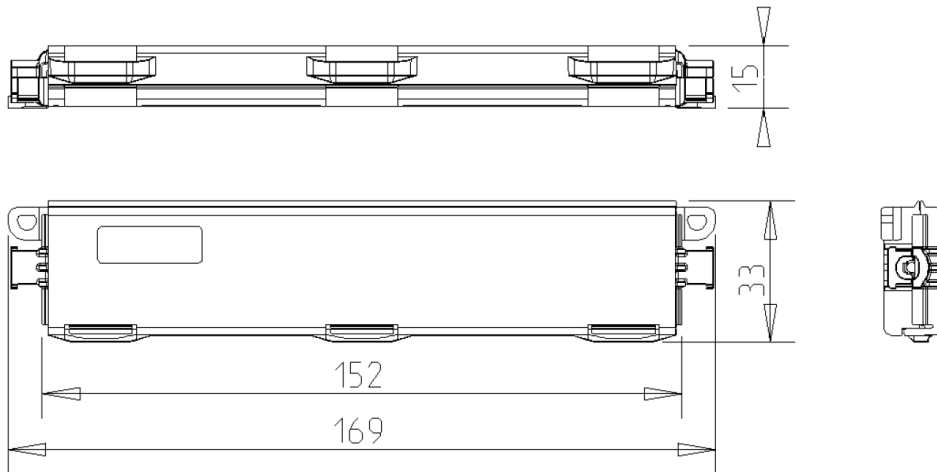
Adapters, quantity	1
Cable Sealing Type	Gel filled
Enclosure Color	Black
Lock Type	Hinged with latches
Mounting	Wall
Port Color	Green

Dimensions

Height	15 mm 0.591 in
Width	169 mm 6.654 in
Depth	33 mm 1.299 in

Dimension Drawing

CZ0667-000 | CB-S2B2



Material Specifications

Material Type Polypropylene plastic

Optical Specifications

Fiber Mode Singlemode

Environmental Specifications

Operating Temperature -40 °C to +65 °C (-40 °F to +149 °F)

Environmental Space Outdoor

Qualification Standards IEC 60529, IP54

UV Resistance UV stabilized

Packaging and Weights

Packaging quantity 1

Packaging Type Box | Carton

Regulatory Compliance/Certifications

Agency	Classification
CHINA-ROHS	Below maximum concentration value
REACH-SVHC	Compliant as per SVHC revision on www.commscope.com/ProductCompliance
ROHS	Compliant
UK-ROHS	Compliant

