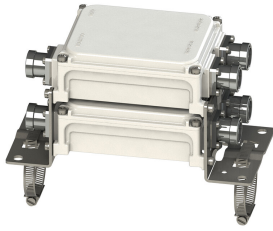


# E11F02P50



Twin Diplexer, 1695-2180/2300-2600 MHz, dc bypass on 2300-2600 ports

- Industry leading PIM performance
- Twin configuration

This product will be discontinued on: December 30, 2024

Replaced By:

E14F06P48

Twin Diplexer, 1350-2200 / 2300-2700 MHz, dc bypass all ports, 4.3-10 connectors

## Product Classification

**Product Type** Diplexer

## General Specifications

**Product Family** CBC1726

**Color** Gray

**Common Port Label** COMM

**Modularity** 2-Twin

**Mounting** Pole | Wall

**Mounting Pipe Hardware** Band clamps (2)

**RF Connector Interface** 7-16 DIN Female

**RF Connector Interface Body Style** Long neck

## Dimensions

**Height** 152.4 mm | 6 in

**Width** 123 mm | 4.843 in

**Depth** 119 mm | 4.685 in

**RF Connector Length** 35 mm | 1.378 in

**Ground Screw Diameter** 6 mm | 0.236 in

**Mounting Pipe Diameter Range** 42.6–122 mm

## Outline Drawing



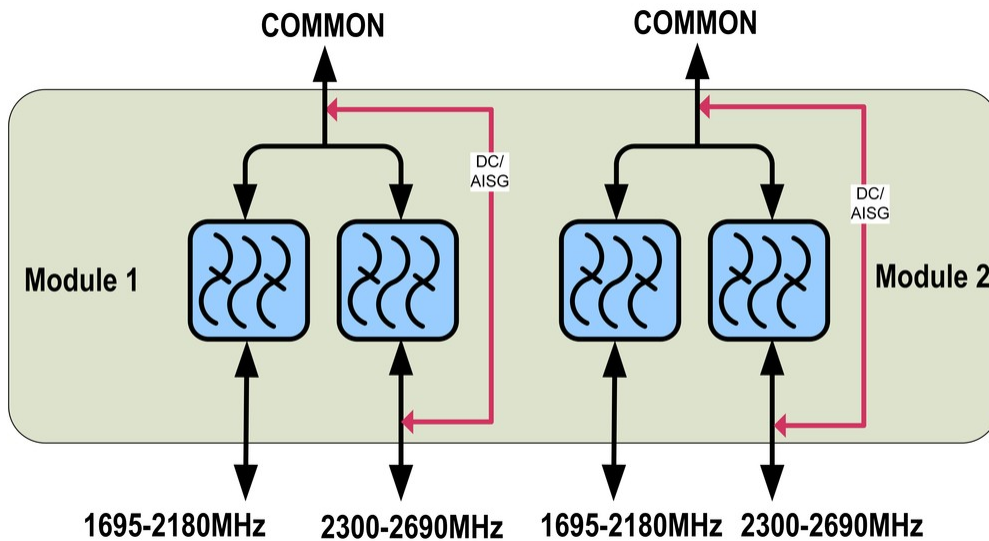
# E11F02P50

<b>Branch</b>	1	2
<b>Port Designation</b>	1695-2180	2300-2690
<b>License Band</b>	AWS 1700, Band Pass DCS 1800, Band Pass IMT 2100, Band Pass PCS 1900, Band Pass	IMT 2600, Band Pass WCS 2300, Band Pass

## Electrical Specifications, Band Pass

Frequency Range, MHz	1695–2180	2300–2690
<b>Insertion Loss, typical, dB</b>	0.3	0.35
<b>Total Group Delay, maximum, ns</b>	30	30
<b>Return Loss, minimum, dB</b>	18	18
<b>Return Loss, typical, dB</b>	20	20
<b>Isolation, minimum, dB</b>	50	50
<b>Input Power, PEP, maximum, W</b>	3500	3500
<b>3rd Order PIM, typical, dBc</b>	-160	-160
<b>3rd Order PIM Test Method</b>	Two +43 dBm carriers	Two +43 dBm carriers

## Block Diagram



## Environmental Specifications

<b>Operating Temperature</b>	-40 °C to +60 °C (-40 °F to +140 °F)
<b>Relative Humidity</b>	Up to 100%

# E11F02P50

---

**Corrosion Test Method** IEC 60068-2-11, 30 days

**Ingress Protection Test Method** IEC 60529:2001, IP67

## Packaging and Weights

**Included** Mounting hardware

**Volume** 2.3 L

**Weight, net** 3.8 kg | 8.378 lb