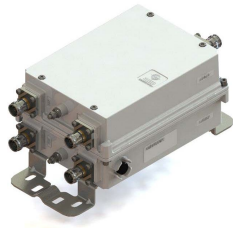


E11F03P58



Twin Diplexer, 700/900 MHz, dc smart by pass on all ports with 4.3-10 connectors, Rejection 48.5 dB in 930-940 MHz

- Designed for network Modernization, introduction of LTE700 on existing site
- New 4.3-10 connectors for improved PIM performance and size reduction
- Twin configuration
- DC/AISG SMART bypass functionality

Product Classification

Product Type Diplexer

General Specifications

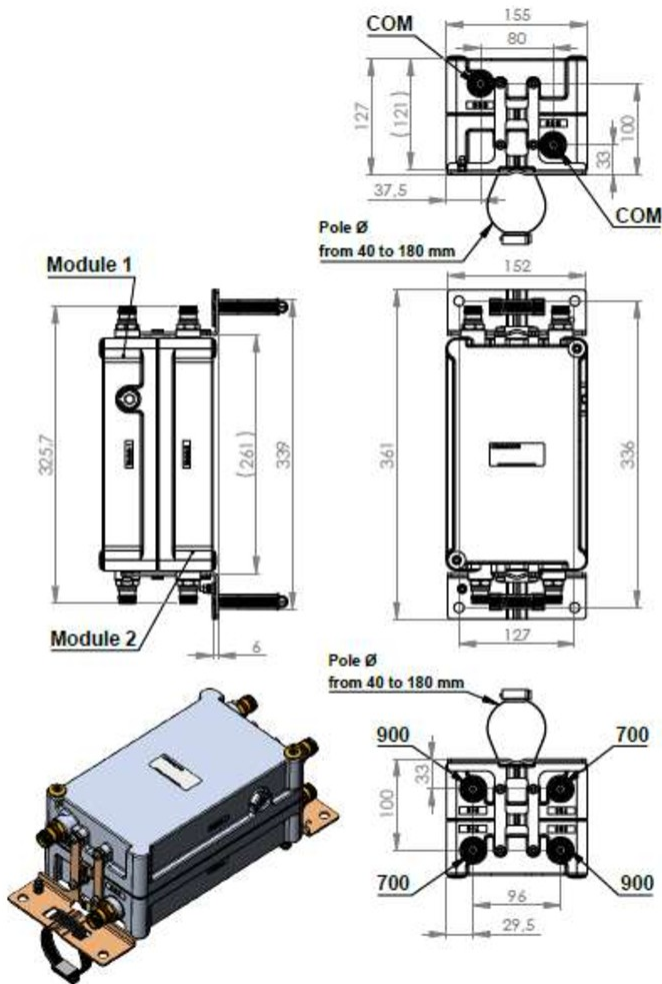
Product Family CBC79X
Color Gray
Common Port Label Port 3
Modularity 2-Twin
Mounting Pole | Wall
Mounting Pipe Hardware Band clamps (2)
RF Connector Interface 4.3-10 Female
RF Connector Interface Body Style Long neck

Dimensions

Height 255 mm | 10.039 in
Width 155 mm | 6.102 in
Depth 118 mm | 4.646 in
Mounting Pipe Diameter Range 42.6–122 mm

Outline Drawing

E11F03P58



Electrical Specifications

Impedance	50 ohm
License Band, Band Pass	APT 700 CEL 900 EDD 800 LMR 750

Electrical Specifications, dc Power/Alarm

dc/AISG Pass-through Method	Auto sensing
dc/AISG Pass-through Path	Auto sensing circuitry detects dc/AISG signal presence and selects path
dc/AISG Pass-through, combiner	Autosensing
dc/AISG Pass-through, demultiplexer	Autosensing
Lightning Surge Current	10 kA
Lightning Surge Current Waveform	8/20 waveform

E11F03P58

Electrical Specifications

Sub-module	1 2	1 2
Branch	1	2
Port Designation	700	900
License Band	APT 700, Band Pass	CEL 900, Band Pass

Electrical Specifications, Band Pass

Frequency Range, MHz	718–803	900–915 945–960
Insertion Loss, typical, dB	0.3	0.6
Return Loss, typical, dB	20	20
Isolation, minimum, dB	50	50
Input Power, RMS, maximum, W	100	100
Input Power, PEP, maximum, W	1500	1500
3rd Order PIM, maximum, dBc	-155	-158
3rd Order PIM Test Method	Two +43 dBm carriers	Two +43 dBm carriers

Electrical Specifications, Band Reject

Frequency Range, MHz	930–940
Attenuation, minimum, dB	49

Electrical Specifications, Band Reject

Frequency Range, MHz	718–890
Attenuation, minimum, dB	35

Electrical Specifications, Band Reject

Frequency Range, MHz	1427.9–1437.9
Attenuation, minimum, dB	50

Electrical Specifications, Band Reject

Frequency Range, MHz	1475.9–1485.9
Attenuation, minimum, dB	50

Electrical Specifications, Band Reject

Frequency Range, MHz	1960–1980
Attenuation, minimum, dB	50

Electrical Specifications, Band Reject

E11F03P58

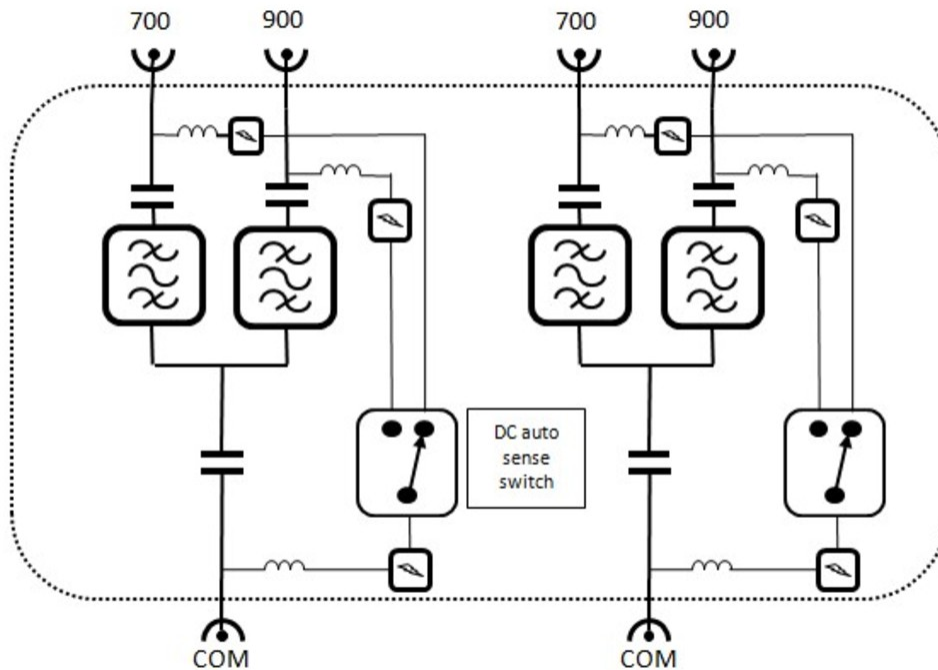
Frequency Range, MHz

2150–2170

Attenuation, minimum, dB

50

Block Diagram



Environmental Specifications

Operating Temperature -40 °C to +65 °C (-40 °F to +149 °F)

Corrosion Test Method IEC 60068-2-11, 30 days

Ingress Protection Test Method IEC 60529:2001, IP67

Packaging and Weights

Included Mounting hardware

Volume 4.7 L

Weight, net 6.2 kg | 13.669 lb

Regulatory Compliance/Certifications

Agency	Classification
ISO 9001:2015	Designed, manufactured and/or distributed under this quality management system