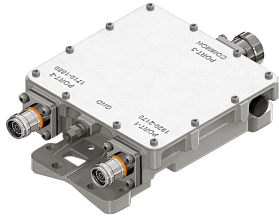


E11F05P38-V



Diplexer, DCS 1800/UMTS 2100, AISG compatible, dc pass on all ports with hybrid connectors 4.3-10 input and 7/16 output

- Industry leading PIM performance
- dc/AISG pass-through on all frequency ports
- Hybrid connectors 4.3-10 input and 7/16 output
- Isolation >60dB in 1710-1730/1805-1825 band
- Isolation >60dB in 1965-1980/2155-2170 band

Product Classification

Product Type Diplexer

General Specifications

Product Family CBC1821

Color Gray

Common Port Label PORT 3 COMMON

Modularity 1-Single

Mounting Pole | Wall

Mounting Pipe Hardware Band clamps (2)

RF Connector Interface 4.3-10 Female | 7-16 DIN Female

RF Connector Interface Body Style Long neck

Dimensions

Height 149 mm | 5.866 in

Width 214 mm | 8.425 in

Depth 147 mm | 5.787 in

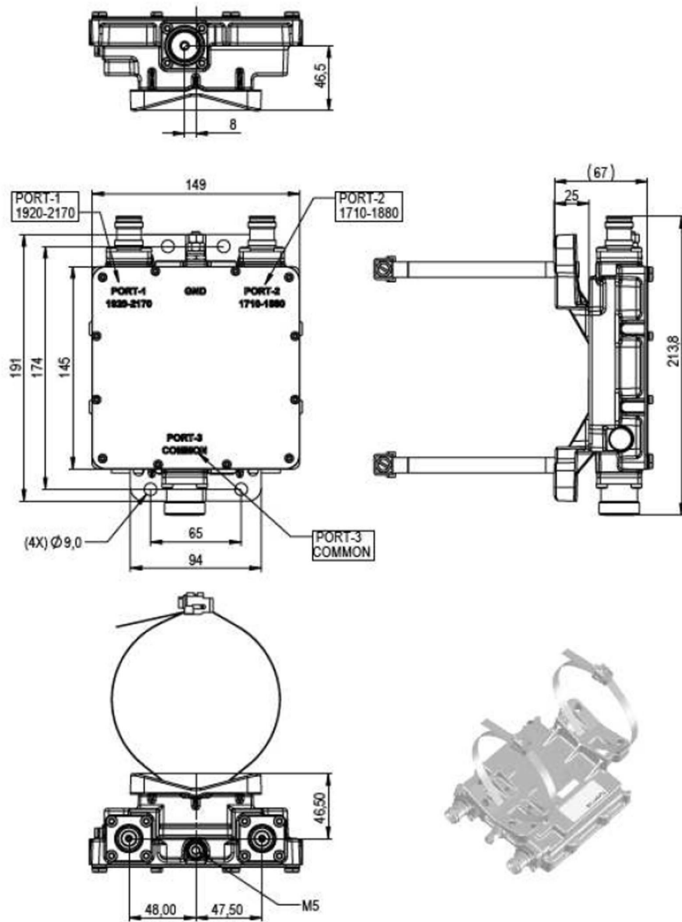
RF Connector Length 25 mm | 0.984 in

Ground Screw Diameter 5 mm | 0.197 in

Mounting Pipe Diameter Range 40–160 mm

Outline Drawing

E11F05P38-V



Electrical Specifications

Insertion Loss Ripple, maximum	0.2 dB
Electrical Safety Standard	EN 60950
Electromagnetic Compatibility/Interference (EMC/EMI)	EN 55022 ETSI 301 489-1 V1.8.1
Impedance	50 ohm
License Band, Band Pass	DCS 1800 IMT 2100

Electrical Specifications, dc Power/Alarm

dc/AISG Pass-through Method	Factory set
dc/AISG Pass-through Path	Branch 1 Branch 2
dc/AISG Pass-through, combiner	Branch 1 Branch 2
dc/AISG Pass-through, demultiplexer	Branch 1 Branch 2

E11F05P38-V

Lightning Surge Current	10 kA
Lightning Surge Current Waveform	8/20 waveform

Electrical Specifications, AISG

AISG Pass-through Current, maximum	2 A
---	-----

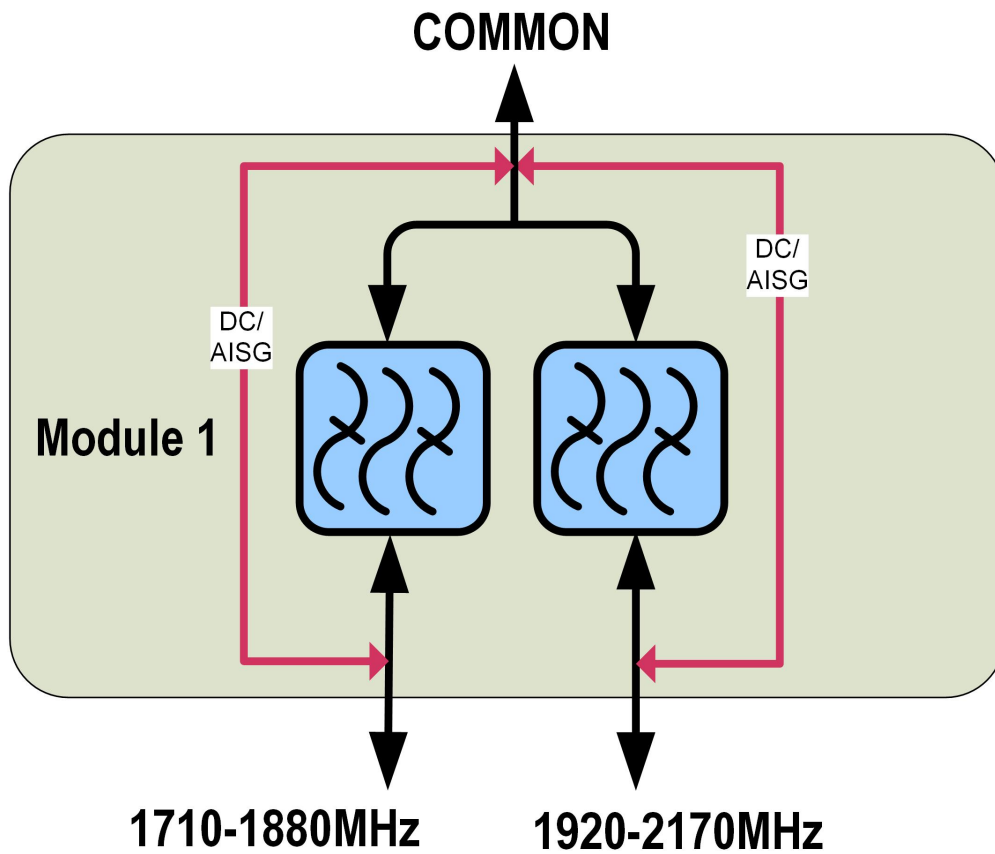
Electrical Specifications

Sub-module	1	1
Branch	1	2
Port Designation	PORT 1 1710-1880	PORT 2 1920-2170
License Band	DCS 1800, Band Pass	IMT 2100, Band Pass

Electrical Specifications, Band Pass

	1710–1880	1920–2170
Frequency Range, MHz		
Insertion Loss, maximum, dB	0.4	0.4
Insertion Loss, typical, dB	0.15	0.15
Return Loss, minimum, dB	18	18
Return Loss, typical, dB	20	20
Isolation, minimum, dB	50	50
Isolation, typical, dB	54	54
Input Power, RMS, maximum, W	250	250
Input Power, PEP, maximum, W	2500	2500
3rd Order PIM, typical, dBc	-160	
3rd Order PIM Test Method	Two +43 dBm carriers	
7th Order PIM, typical, dBc		-160
7th Order PIM Test Method		Two +43 dBm carriers

Block Diagram



Material Specifications

Finish Painted

Mechanical Specifications

Mechanical Shock Test Method IEC 60068-2-27

Wind Speed, maximum 200 km/h (124 mph)

Environmental Specifications

Operating Temperature -40 °C to +60 °C (-40 °F to +140 °F)

Corrosion Test Method IEC 60068-2-11, 30 days

Environmental Test Method ETSI EN 300 019-1-4

Ingress Protection Test Method IEC 60529:2001, IP67

Mean Time Between Failures, minimum 1000000 h

Thermal Shock Test Method IEC 60068-2-14

E11F05P38-V

UV Resistance Test Method IEC 60068-2-5

Vibration Test Method IEC 60068-2-6

Packaging and Weights

Included Mounting hardware

Volume 0.9 L

Weight, net 2 kg | 4.409 lb

Weight, without mounting hardware 1.9 kg | 4.189 lb

Regulatory Compliance/Certifications

Agency

ISO 9001:2015

Classification

Designed, manufactured and/or distributed under this quality management system

