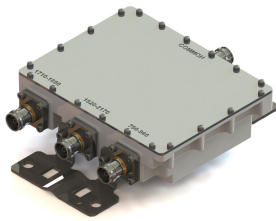


# E12F05P92



Triplexer 900/1800/2100, dc bypass on all ports, with 4.3-10 connectors

- Industry leading PIM performance
- dc/AISG pass-through on all frequency ports
- New 4.3-10 connectors for improved PIM performance and size reduction
- Suitable for feeders cables reduction

## OBSOLETE

This product was discontinued on: December 30, 2024

### Replaced By:

E14F10P78

Ultra Compact Single Triplexer 698-960/1350-1880/1920-2690, 4.3-10 connectors

## Product Classification

**Product Type** Triplexer

## General Specifications

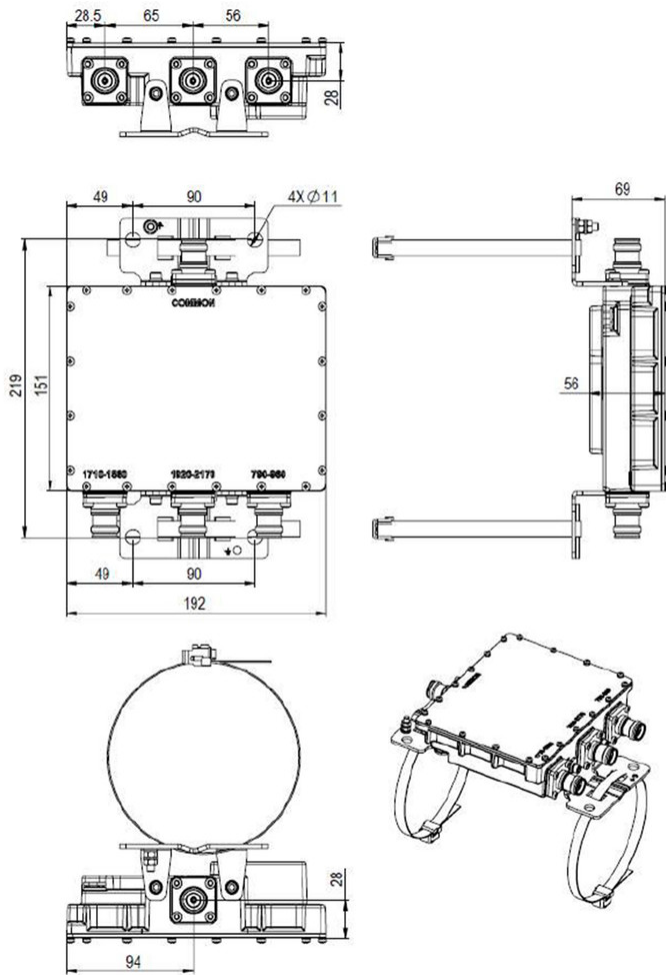
**Product Family** CBC81821  
**Color** Gray  
**Common Port Label** Common  
**Modularity** 1-Single  
**Mounting** Pole | Wall  
**Mounting Pipe Hardware** Band clamps (2)  
**RF Connector Interface** 4.3-10 Female  
**RF Connector Interface Body Style** Medium neck

## Dimensions

**Height** 151 mm | 5.945 in  
**Width** 56 mm | 2.205 in  
**Depth** 192 mm | 7.559 in  
**Mounting Pipe Diameter Range** 40–160 mm

# E12F05P92

## Outline Drawing



## Electrical Specifications

<b>Impedance</b>	50 ohm
<b>License Band, Band Pass</b>	CEL 850   CEL 900   DCS 1800   EDD 800   IMT 2100   LMR 800   LMR 900

## Electrical Specifications, dc Power/Alarm

<b>dc/AISG Pass-through, combiner</b>	Branch 1   Branch 2   Branch 3
<b>dc/AISG Pass-through, demultiplexer</b>	Branch 1   Branch 2   Branch 3
<b>Lightning Surge Current</b>	10 kA
<b>Lightning Surge Current Waveform</b>	8/20 waveform

# E12F05P92

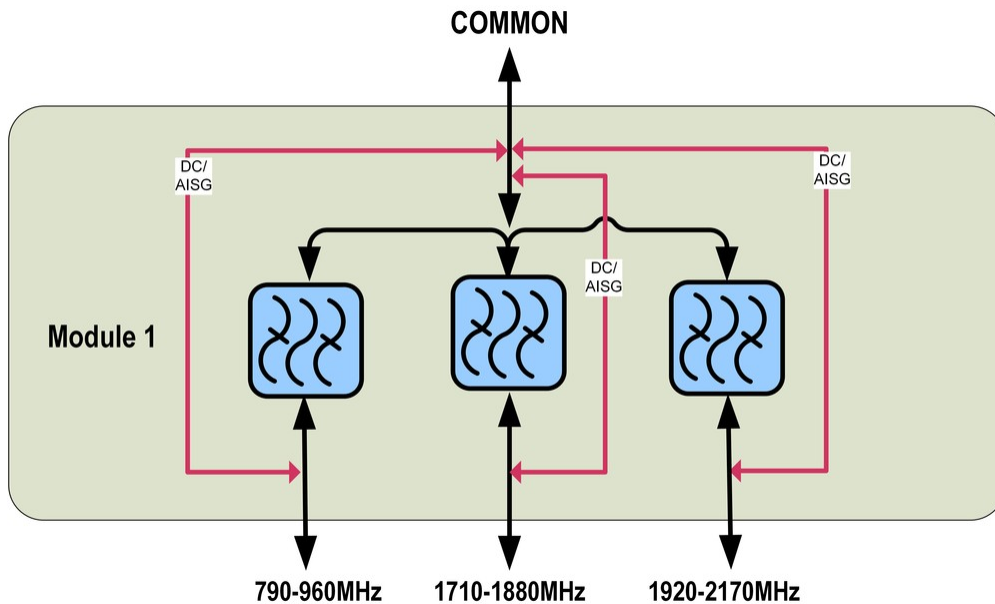
## Electrical Specifications

<b>Sub-module</b>	<b>1</b>	<b>1</b>	<b>1</b>
<b>Branch</b>	1	2	3
<b>Port Designation</b>	790-960	1710-1880	1920-2170
<b>License Band</b>	CEL 850, Band Pass CEL 900, Band Pass EDD 800, Band Pass LMR 800, Band Pass LMR 900, Band Pass	DCS 1800, Band Pass	IMT 2100, Band Pass

## Electrical Specifications, Band Pass

<b>Frequency Range, MHz</b>	<b>790-960</b>	<b>1710-1880</b>	<b>1920-2170</b>
<b>Insertion Loss, typical, dB</b>	0.15	0.2	0.2
<b>Return Loss, typical, dB</b>	24	24	24
<b>Isolation, minimum, dB</b>	50	50	50
<b>Input Power, PEP, maximum, W</b>	3000	2500	2500
<b>3rd Order PIM, typical, dBc</b>	-160	-160	-160
<b>3rd Order PIM Test Method</b>	Two +43 dBm carriers	Two +43 dBm carriers	Two +43 dBm carriers

## Block Diagram



## Environmental Specifications

# E12F05P92

---

<b>Operating Temperature</b>	-40 °C to +60 °C (-40 °F to +140 °F)
<b>Relative Humidity</b>	Up to 100%
<b>Corrosion Test Method</b>	IEC 60068-2-11, 30 days
<b>Ingress Protection Test Method</b>	IEC 60529:2001, IP67

## Packaging and Weights

<b>Included</b>	Mounting hardware
<b>Volume</b>	1.6 L
<b>Weight, net</b>	2.6 kg   5.732 lb

## Regulatory Compliance/Certifications

<b>Agency</b>	<b>Classification</b>
ISO 9001:2015	Designed, manufactured and/or distributed under this quality management system