

LSX Optical Distribution Frames

COMMSCOPE®

Table of contents

Introduction	3
High-density distribution frame solution (using 288-termination/splice panel)	4
Traditional LSX universal fiber distributing frame solution	4
Preterminated fiber termination panels with multifiber cable	5
Adapter-only fiber termination panels	6
Preterminated fiber termination/splice panels with pigtails	7
LSX optical distribution frame fiber termination panels featuring NG4 CMOD's	8
Cabled modules with preterminated IFC.....	11
Cabled modules with rollable ribbon indoor/outdoor jacketing.....	14
Cabled modules with 24-fiber microcable.....	16
Cabled modules with 24-fiber rollable ribbon cables.....	17
Splice panels.....	18
Splice tray	18
Frame Accessories.....	19
Frame Installation Kit	19
Interbay management panel.....	20
End guard	20
Panel accessories.....	21
Cable clamp kit and cable ring kit	21
Standard cross-connect patch cord lengths.....	21
Ordering information for patch cords and attenuators.....	21

Introduction

Frame

CommScope's LSX solution is designed to fit a variety of termination, splice and storage applications. Each frame option is built to industry standards to ensure commonality with patch cord routing, slack storage and fiber protection. The frame is shipped complete with front cable management, top and bottom troughs.

Termination panel

The LSX panel is available in adaptor only versions with in configurations of 24, 48, 72, 96, 144, and 288. Preterminated panels are available in 48, 96, 144, and 288 fiber versions with either intrafacility (IFC), outside plant (OSP) cables for ease of installation.

Splice panel

CommScope's splice panel protects splices of multiple splice types.

Value-added module (VAM) chassis

Adding signal management and enhancement functions, such as splitters, couplers and wavelength division multiplexers, optimizes the value of your fiber network, by providing nonintrusive access to the optical signal for monitoring and testing signal integrity. The LGX compatible VAM chassis accommodates various splitter and WDM modules.

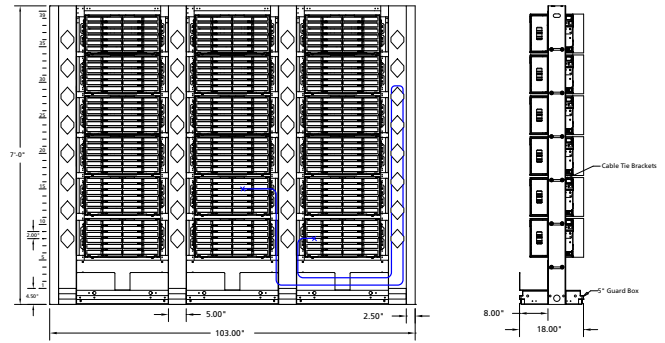
Product overview

Recommended applications	Small to medium fiber count applications. Minimal cable management features. Lowest cost solution.
Description	LGX compatible
Number of fibers, future growth potential	Up to 5,000
Interconnect	Good
Cross-connect	Good, no rear cable management
Accommodates on-frame splicing	Good
Accommodates off-frame splicing	Good
Rear access	Must have full access to front and rear
Density – terminations per frame	1,008 terminations per frame
Front access to rear connector	No
VAM capabilities	Yes
Slack storage location	Utilizes drip loop method
Connector access	Straight adapter

* LGX is a registered trademark of Furukawa Electric North America.

HIGH-DENSITY DISTRIBUTION FRAME SOLUTION (USING 288-TERMINATION/SPLICE PANEL)

The termination and splice LSX-288 solution utilizes a traditional frame designed to fit a variety of termination, splice and storage applications. This front load frame is built to ensure commonality with patch cord routing, slack storage and fiber protection. Available accessories include panels, lower trough, interbay management panels (IMPs) and end guards.

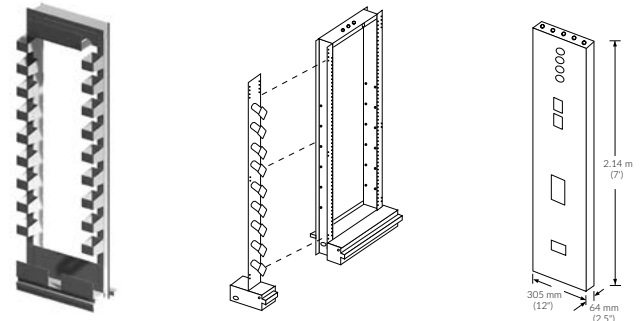


CommScope's recommended fiber frame lineup uses three frames with 1.7 mm fiber jumpers to maintain the industry standard 2-inch patch cord pile-up

ORDERING INFORMATION		
DESCRIPTION	DIMENSIONS (H X W X D)	CATALOG NUMBER
Empty rack-WECO 7' network non-seismic rack, front 8"D GB, (39) 2.00" WECO mtg. spaces	2.1 m x 660 mm x 381 mm (7' x 26" x 15")	RAC-7A0160
Lower horizontal cable trough	203.2 mm x 203.2 mm (8" W x 8" D)	E-501-11115
5"D x 26"W rear guard box	660 mm x 127 mm (26" W x 5" D)	RAC-0X0439
15"D interbay management panel, 8"D spools, overhead/under floor access	2.1 m x 127 mm x 381 mm (7' x 5" x 15")	E-501-L139-HD
5" rear guard box	127 mm x 127 mm (5" W x 5" D)	RAC-0X0440
15"D end guard-universal-style end guard	2.1 m x 64 mm x 381 mm (7' x 2.5" x 15")	RAC-7B0162
3" universal end guard extender	2.1 m x 64 mm x 76 mm (7' x 2.5" x 3")	E-501-12002

TRADITIONAL LSX UNIVERSAL FIBER DISTRIBUTING FRAME SOLUTION

The traditional LSX universal frame provides the framework for managing a cross-connect or interconnect fiber system. Use this frame for applications requiring lower density panels (12-144 terminations).



E-501-LGX
(Includes cable rings)

E-501-L139-A

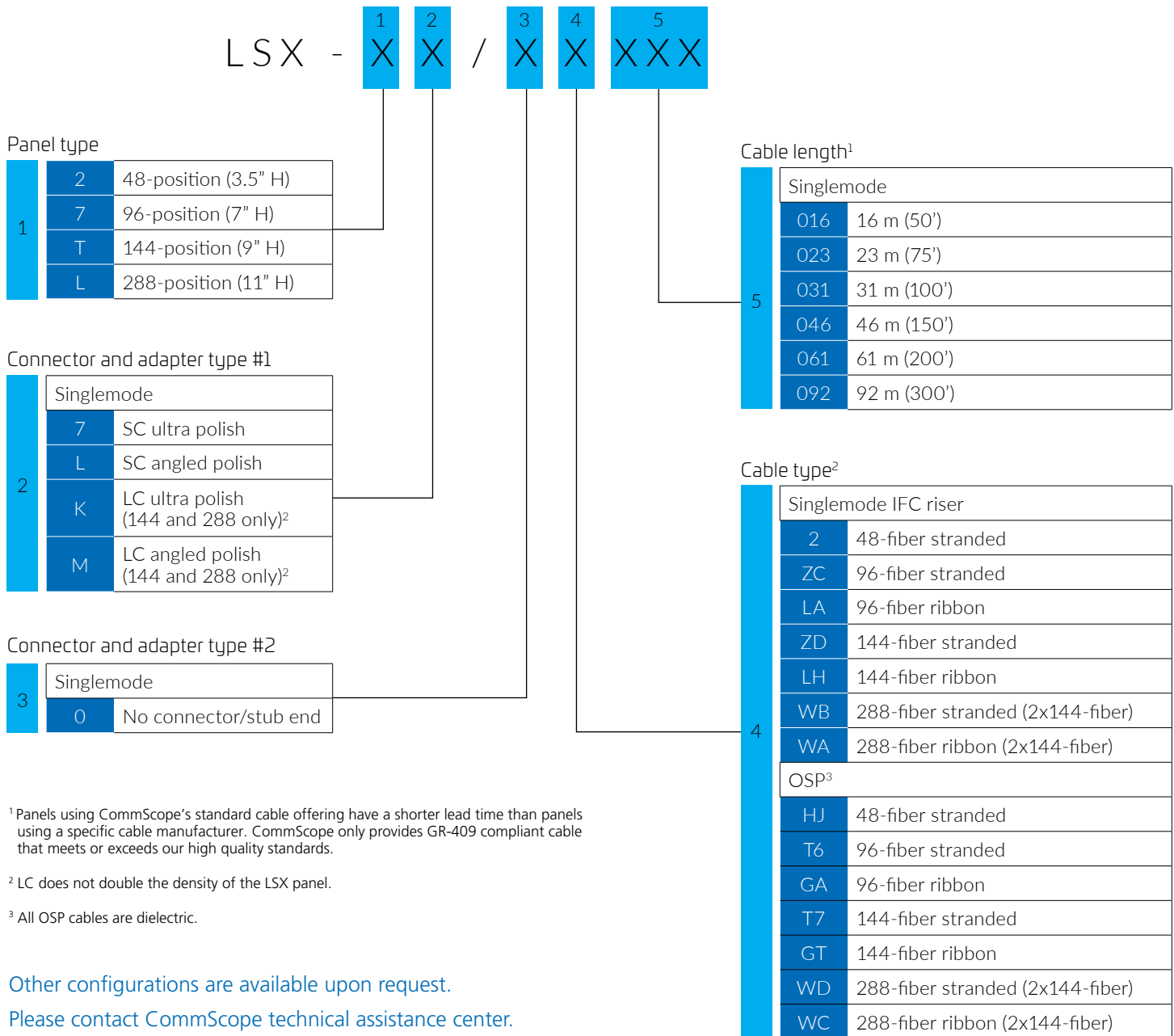
UEGP-7PW

ORDERING INFORMATION		
DESCRIPTION	DIMENSIONS (H X W X D)	CATALOG NUMBER
Traditional LSX universal frame; putty white (include anchor bolts for concrete floors)	2.14 m x 584 mm x 305 mm (7' x 23" x 12")	E-501-LGX
Interbay management panel (IMP)	2.14 m x 127 mm x 305 mm (7' x 5" x 12")	E-501-L139-A
End guard (mounts on an IMP or network frame)	2.14 m x 64 mm x 305 mm (7' x 2.5" x 12")	UEGP-7PW

DEFINITION OF VARIABLES	
1	Connector and adapter type #1—specific adapter/connector type required at the LSX
2	Connector type #2—specific connector type required at the far end opposite the LSX
3	Cable type—type of cable to be terminated to the LSX
4	Cable length required—length of the cable terminated to the LSX

PRETERMINATED FIBER TERMINATION PANELS WITH MULTIFIBER CABLE

The LSX panel can be loaded with intrafacility cable (IFC). The panel adapts to 19- or 23-inch rack mounting, WECO or EIA spacing. The 288-position panel can only be mounted in a 23-inch rack.



¹ Panels using CommScope's standard cable offering have a shorter lead time than panels using a specific cable manufacturer. CommScope only provides GR-409 compliant cable that meets or exceeds our high quality standards.

² LC does not double the density of the LSX panel.

³ All OSP cables are dielectric.

Other configurations are available upon request.

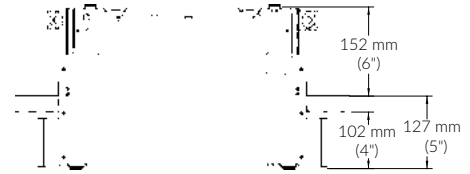
Please contact CommScope technical assistance center.

ADAPTER-ONLY FIBER TERMINATION PANELS

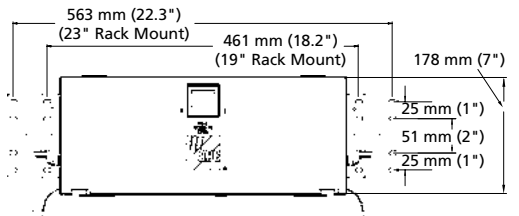
The LSX panel has the same mounting dimensions as an LGX compatible panel.

ORDERING INFORMATION		
NUMBER OF TERMINATIONS	ADAPTER TYPE	CATALOG NUMBER
24 44 mm (1.75") height	Singlemode	
	SC ultra polish	LSX-170000
	SC angled polish	LSX-1L0000
48 89 mm (3.5") height	Singlemode	
	SC ultra polish	LSX-270000
	SC angled polish	LSX-2L0000
72 178 mm (7") height	Singlemode	
	SC ultra polish	LSX-670000
	SC angled polish	LSX-6L0000
96 178 mm (7") height	Singlemode	
	SC ultra polish	LSX-770000
	SC angled polish	LSX-7L0000
144 228 mm (9") height	Singlemode	
	SC ultra polish	LSX-T70000
	SC angled polish	LSX-TL0000
	LC ultra polish ¹	LSX-TK0000
	LC angled polish ¹	LSX-TM0000
288 279 mm (11") height	Singlemode	
	SC ultra polish	LSX-L70000
	SC angled polish	LSX-LL0000
	LC ultra polish ¹	LSX-LK0000
	LC angled polish ¹	LSX-LM0000

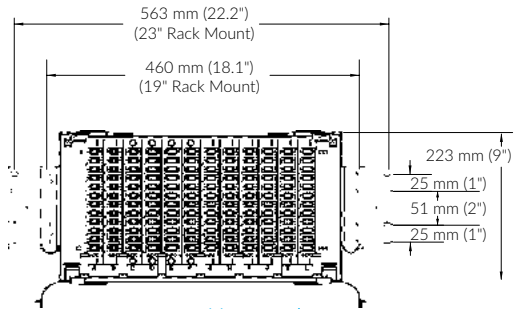
¹ LC Connectors do not double the density of the LSX panel



LSX panel
(Top view)



72- or 96-position panel
(Front view)



144-position panel
(Front view)

PRETERMINATED FIBER TERMINATION/SPLICE PANELS WITH PIGTAILS

LSX preterminated fiber termination/splice panels are available with a splicing area integrated into the panel. These panels include a rear flip-down splicing compartment. The panels can be ordered with 12-fiber ribbon or 12-fiber stranded pigtails.



288-Position termination/splice panel

ORDERING INFORMATION			
NUMBER OF TERMINATIONS	ADAPTER TYPE	LOADED WITH 12-FIBER RIBBON PIGTAILS	LOADED WITH 12-FIBER STRANDED PIGTAILS
144 228 mm (9") height 15" deep	Singlemode		
	SC ultra polish	LSX-T75123-A-SPL	LSX-T71122-A-SPL
	SC angled polish	LSX-TL5123-A-SPL	LSX-TL1122-A-SPL
	LC ultra polish ¹	LSX-TK5123-A-SPL	LSX-TK1122-A-SPL
	LC angled polish ¹	LSX-TM5123-A-SPL	LSX-TM1122-A-SPL
288* 279 mm (11") height 15" deep	Singlemode		
	SC ultra polish	LSX-L75243-A-SPL	LSX-L71242-A-SPL
	SC angled polish	LSX-LL5243-A-SPL	LSX-LL1242-A-SPL
	LC ultra polish ¹	LSX-LK5243-A-SPL	LSX-LK1242-A-SPL
	LC angled polish ¹	LSX-LM5243-A-SPL	LSX-LM1242-A-SPL

¹ LC Connectors do not double the density of the LSX panel

* 288 Termination /splice panel does not fit 19-inch frames. For 23-inch frames only.

9-INCH LSX OPTICAL DISTRIBUTION FRAME FIBER TERMINATION PANEL FEATURING NG4 CMOD'S

The 9-inch LSX ODF Fiber Termination Panel updates the LGX style chassis using a higher density NG4 quick termination cable and CMODs for plug-and-play installation.

- Designed to be mounted in a 19" or 23" frame.
- Up to 288 LC or 144 SC terminations (12 CMODs).
- Each panel opening fits a cabled module, MPO module, or VAM module with tray adapter insert.
- Modules may be mixed and matched in the same chassis.
- Rear cable management addressed cable management.

ORDERING INFORMATION		
DESCRIPTION	DIMENSIONS (H X W X D)	PART NUMBER
LSX 288 C-MOD EMPTY PANEL	483/584 x 280 x 229 mm (19/23" X 11" X 9")	LSX-700000-CMOD



LSX-70000-CMOD
(Front)



LSX-70000-CMOD
(Back)

5-INCH LSX OPTICAL DISTRIBUTION FRAME FIBER TERMINATION PANEL FEATURING NG4 CMOD'S

The 5-inch LSX ODF Fiber Termination Panel updates the LGX style chassis using a higher density NG4 quick termination cable and CMODs for plug-and-play installation.

- Designed to be mounted in a 19" or 23" frame.
- Up to 144 LC or 72 SC terminations (6 CMODs).
- Each panel opening fits a cabled module, MPO module, or VAM module with tray adapter insert.
- Modules may be mixed and matched in the same chassis.
- Rear cable management addressed cable management.

ORDERING INFORMATION		
DESCRIPTION	DIMENSIONS (H X W X D)	PART NUMBER
LSX 144 C-MOD EMPTY PANEL	483/584 x 280 x 127 mm (19/23" X 11" X 5")	LSX-300000-CMOD



LSX-300000-CMOD
(Front)



LSX-300000-CMOD
(Back)

9-INCH LSX OPTICAL DISTRIBUTION FRAME FIBER TERMINATION PANEL FEATURING NG4 CMOD'S

The 9-inch LSX ODF Fiber Termination Panel updates the LGX style chassis using a higher density NG4 quick termination cable and CMODs for plug-and-play installation.

- Designed to be mounted in a 19' or 23" frame.
- Up to 288 LC or 144 SC terminations (12 CMODs).
- Each panel opening fits a cabled module, MPO module, or VAM module with tray adapter insert.
- Modules may be mixed and matched in the same chassis.
- Rear cable management addressed cable management.

Ordering information

Description	Dimensions (H x W x D)	Part number
LSX 288 C-MOD EMPTY PANEL	483/584 x 280 x 229 mm (19/23" X 11" X 9")	LSX-70000-CMOD



LSX-70000-CMOD
(Front)



LSX-70000-CMOD
(Rear)

5-INCH LSX OPTICAL DISTRIBUTION FRAME FIBER TERMINATION PANEL FEATURING NG4 CMOD's

The 5-inch LSX ODF Fiber Termination Panel updates the LGX style chassis using a higher density NG4 quick termination cable and CMODs for plug-and-play installation.

- Designed to be mounted in a 19' or 23" frame.
- Up to 144 LC or 72 SC terminations (6 CMODs).
- Each panel opening fits a cabled module, MPO module, or VAM module with tray adapter insert.
- Modules may be mixed and matched in the same chassis.
- Rear cable management addressed cable management.

Ordering information

Description	Dimensions (H x W x D)	Part number
LSX 144 C-MOD EMPTY PANEL	483/584 x 280 x 127 mm (19/23" X 11" X 5")	LSX-300000-CMOD



LSX-300000-CMOD
(Front)



LSX-300000-CMOD
(Rear)

CABLED MODULES WITH PRETERMINATED IFC

Preterminated cable modules

NG4access cabled modules will save operators significant time and cost in their cable deployments. Using the LC cabled module, for example, an installer can route a 24-fiber cable to any access tray in a universal chassis, then rapidly terminate the module's 24-fiber connectors using a single click, rather than installing 24 individual connectors. Cabled modules are available in LC and SC, singlemode configurations. Each module is designed for craft friendliness. Individual adapter ports are labeled for easy identification. Two cable options are available with cabled modules, conventional IFC or 24-fiber microcable IFC cable.



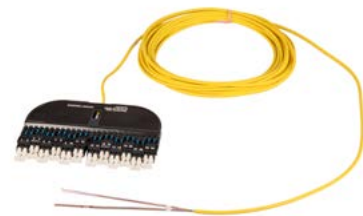
LC Cabled Module with Preterminated IFC



LC Cabled module with 24-fiber microcable

Cabled modules with preterminated IFC

With IFC cabled module solutions, multiple cabled modules are preterminated to IFC cable. For example, a 144 LC configuration would include six 24-fiber cabled modules secured to a 144 IFC cable. Rather than handling and installing 144 discrete connectors, the six cabled modules quickly snap into place on the access tray saving installation time and greatly reducing wiring errors and the potential for breaking adjacent fiber connectors. IFC cabled modules are available with stub ends or with connectors or cabled modules on the far end. All IFC cabled modules utilize reduced bend radius fiber and have the appropriate break out length to be installed in any access tray on any chassis in the frame. IFC cabled modules ordered with far end connectors can be used as tie cables to existing legacy ODF's. The far end breakouts for these assemblies are designated by the last three digits in the ordering configurations. All IFC cabled modules ship with the cable clamp required on the NG4access frame and at the far end if required for double ended assemblies.



LC cabled module with preterminated IFC

Cabled modules with preterminated IFC

ORDERING INFORMATION



Cabled module connector type #1

Singlemode	
K	LC ultra polish
M	LC angled polish
7	SC ultra polish
L	SC angled polish

Far end connector type #2*

Singlemode	
0	No connector/stub end

Far end breakout style

Blank	Stub or cabled module
-------	-----------------------

Standard cable length***

016	16 m (50')
023	23 m (75')
031	31 m (100')
046	46 m (150')
061	61 m (200')
092	92 m (300')

Cable type

		Diameter	
		mm	in
GH	72 Flat matrix ribbon IFC	14 mm	.55"
KS	96 Flat matrix ribbon IFC	14.7 mm	.58"
HS	144 Flat matrix ribbon IFC	17.3 mm	.68"
GQ	72 Loose tube stranded IFC	11.9 mm	.47"
KQ	96 Loose tube stranded IFC	13.7 mm	.54"
HQ	144 Loose tube stranded IFC	17.7 mm	.70"
GR	72 Flat matrix Ribbon Indoor/Outdoor	15.5 mm	.61"
KR	96 Flat matrix Ribbon Indoor/Outdoor	15.5 mm	.61"
HR	144 Flat matrix Ribbon Indoor/Outdoor	15.5 mm	.61"
JR	216 Flat matrix Ribbon Indoor/Outdoor	18 mm	.71"
GL	72 Loose tube Stranded Indoor/Outdoor	11.9 mm	.47"
KL	96 Loose tube Stranded Indoor/Outdoor	13.7 mm	.54"
HL	144 Loose tube Stranded Indoor/Outdoor	17.7 mm	.70"

*** Use XXX for non-standard lengths in meters

CABLED MODULES WITH PRETERMINATED IFC continued

Ordering information



Cabled module connector type #1

Singlemode	
K	LC ultra polish
M	LC angled polish
7	SC ultra polish
L	SC angled polish

Far end connector type #2*

Singlemode	
0	No connector/stub end
K	LC ultra polish
M	LC angled polish
7	SC ultra polish
L	SC angled polish
N	Cabled Module**

Far end breakout style

If not a stub or cabled module, enter an option from below.

Blank	Stub or cabled module
NG3	NG3 72 and 144 position panel
NG	NGF 96 and 144-position FTB
NO	NGF 48 and 72-position FTB
A	7" FCM
B	8" FCM
LA	LSX 72 and 96-position panel
LB	LSX 144-position panel

Cable type

		Diameter	
		mm	"
GQ	72 Loose tube stranded IFC	11.9 mm	.47"
KQ	96 Loose tube stranded IFC	13.7 mm	.54"
HQ	144 Loose tube stranded IFC	17.7 mm	.70"
GL	72 Loose tube Stranded Indoor/Outdoor	11.9 mm	.47"
KL	96 Loose tube Stranded Indoor/Outdoor	13.7 mm	.54"
HL	144 Loose tube Stranded Indoor/Outdoor	17.7 mm	.70"

Standard cable length***

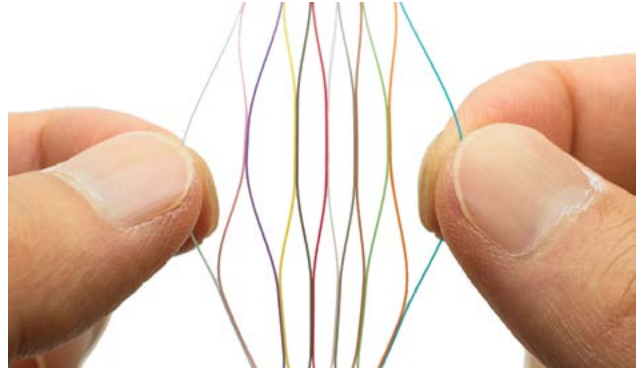
016	16 m (50')
023	23 m (75')
031	31 m (100')
046	46 m (150')
061	61 m (200')
092	92 m (300')

* Far end connector option only available with stranded cable

** Far end cabled module connector type is always same as type #1 connector type

*** Use XXX for non-standard lengths in meters

CABLED MODULES WITH ROLLABLE RIBBON INDOOR/OUTDOOR JACKETING



Rollable Ribbon Cable

Ordering information

NG4 - CMD

Cabled module connector type #1

Singlemode	
K	LC ultra polish
M	LC angled polish

Far end connector type #2*

Singlemode	
0	No connector/stub end

Cable type

	Number of Fibers	Outer Diameter	
RG	72	10.5 mm	.41"
RK	96	10.5 mm	.41"
R3	144	10.5 mm	.41"
RJ	216	12.5 mm	.49"
R4	288	12.5 mm	.49"
R5	432	15.5 mm	.61"
R6	576	17.0 mm	.67"
R8	864	19.5 mm	.77"

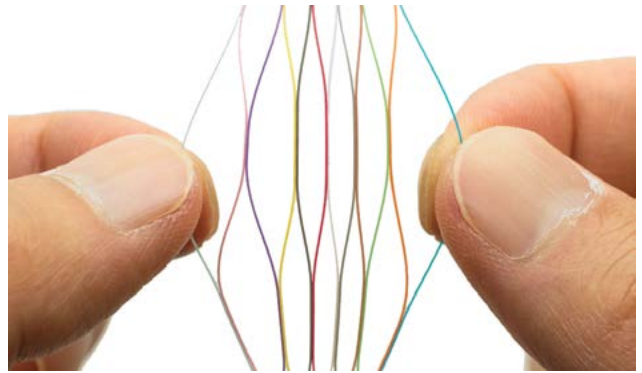
Standard cable length***

016	16 m (50')
023	23 m (75')
031	31 m (100')
046	46 m (150')
061	61 m (200')
092	92 m (300')
122	122 m (400')
138	138 m (450')
153	153 m (500')
183	183 m (600')
305	305 m (1000')

***Use XXX for non-standard lengths in meters
76" breakout on LC end

CABLED MODULES WITH ROLLABLE RIBBON INDOOR/OUTDOOR JACKETING

Cabled modules with Rollable Ribbon Indoor/Outdoor Jacketing



Rollable Ribbon Cable

Ordering information

NG4 - CMD

Cabled module connector type #1

Singlemode	
K	LC ultra polish
M	LC angled polish

Far end connector type #2*

Singlemode	
0	No connector/stub end

Cable type

	Number of Fibers	Outer Diameter	
R3	144	10.5 mm	.41"
R4	288	12.5 mm	.49"
R5	432	15.5 mm	.61"
R6	576	17.0 mm	.67"
R8	864	19.5 mm	.77"

Standard cable length***

016	16 m (50')
023	23 m (75')
031	31 m (100')
046	46 m (150')
061	61 m (200')
092	92 m (300')
122	122 m (400')
138	138 m (450')
153	153 m (500')
183	183 m (600')
305	305 m (1000')

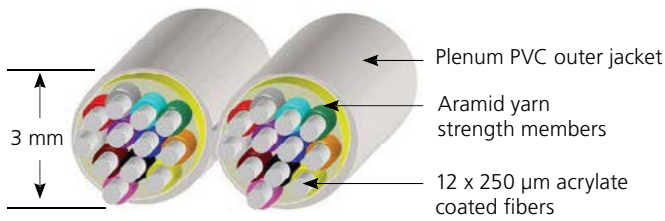
***Use XXX for non-standard lengths in meters
76" breakout on LC end

CABLED MODULES WITH 24-FIBER MICROCABLE

For LC configurations, a single cabled module is connected to a 24-fiber microcable. For SC configurations, two cabled modules are connected to a 24-fiber microcable. The 24-fiber microcable is a plenum rated dual zip-cable containing reduced bend radius 250 micron fiber in a loose tube design. The 24-fiber microcable has the same compression, tensile strength and crush rating as conventional IFC cable and is fully compliant with GR-409. It can be secured to overhead cable racking or is flexible to be placed in FiberGuide or any fiber cable management system. Cabled modules are available with a stub end or with connectors on the far end. The breakout length for 24 fiber microcable IFC with far end connectors is 45 inches. This breakout length will accommodate all legacy CommScope ODF solutions however, a fanout mounting bracket kit must be ordered separately to match the far end clamping requirements.



Two SC cabled modules with 24-fiber microcable
2 modules stacked for photo



Ordering information

NG4 - CMD M2

Cabled module connector type #1

Singlemode	
K	LC ultra polish
M	LC angled polish
7	SC ultra polish
L	SC angled polish

Far end connector type #2

Singlemode	
0	No connector/stub end
K	LC ultra polish****
M	LC angled polish****
7	SC ultra polish****
L	SC angled polish****
N	Cabled Module**
E	MPO Connector

Standard cable length***

016	16 m (50')
023	23 m (75')
031	31 m (100')
046	46 m (150')
061	61 m (200')

Cable type

M2	24-fiber microcable
----	---------------------

** Far end cabled module connector type is always same as type #1 connector type

*** Use XXX for non-standard lengths in meters

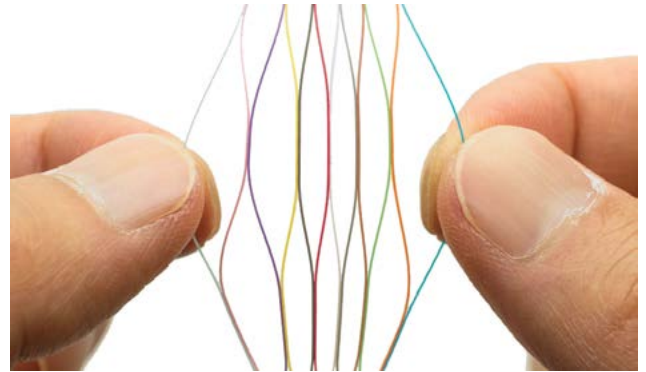
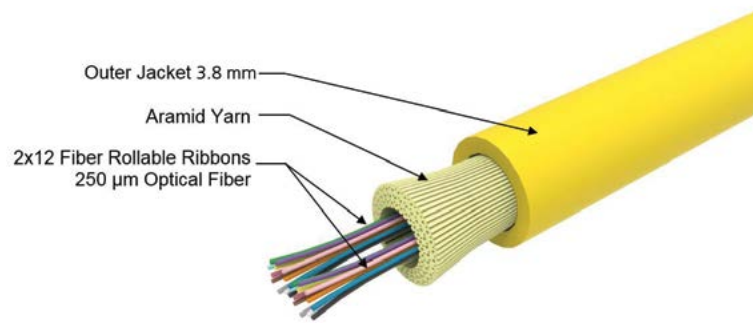
**** Far End Fanout 900um upjacketing.

Contact CommScope's Technical Assistance Center for availability of other upjacketing options.

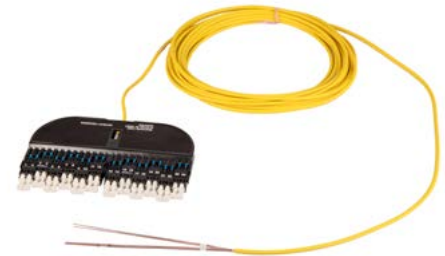
CABLED MODULES WITH 24-FIBER ROLLABLE RIBBON CABLE

For LC configurations, a single cabled module is connected to a 24-fiber Rollable ribbon. The 24-fiber rollable ribbon is a plenum rated cable containing reduced bend radius 250 micron rollable fiber in a loose tube design.

The 24-fiber cable is flexible enough to be placed in FiberGuide or any fiber cable management system. Cabled modules with rollable ribbon are available with a stub end.



Rollable Ribbon Cable



Ordering information

NG4 - CMD R2

Cabled module connector type #1

Singlemode	
K	LC ultra polish
M	LC angled polish

Far end connector type #2

Singlemode	
0	No connector/stub end

Standard cable length***

016	16 m (50')
023	23 m (75')
031	31 m (100')
046	46 m (150')
061	61 m (200')

Cable type

R2	24-fiber rollable ribbon
----	--------------------------

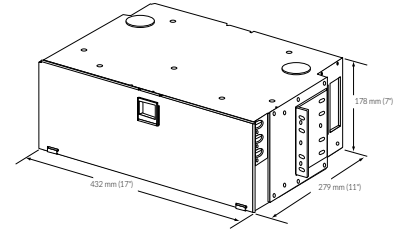
*** Use XXX for non-standard lengths in meters

Contact CommScope's Technical Assistance Center for availability of other upjacketing options.

SPLICE PANELS

The LSX splice panel has the same mounting dimensions as LGX compatible panels and consists of six drawers, designation labels and a cover. Maximum splice capacity is 144 when splicing individual stranded fibers or 432 fibers when using ribbon fiber and mass fusion splicing. The LSX splice panel requires F3DF splice trays. Each drawer holds twenty-four 900 micron pigtails or twelve 3.0 mm pigtails. Pigtails and cable enter and exit through access ports in the rear of the panel.

Vertical cable guides must be ordered along with the LSX splice panel unless it is mounted into a frame that includes vertical cable guides. If needed, cable clamp kit must be ordered separately (below).



Splice panel shown without vertical cable guides
Ordered separately (front view)

ORDERING INFORMATION	
DESCRIPTION	ADAPTER TYPE
LSX splice panel; 483 mm or 584 mm (19" or 23") rack mount	LSX-SPLCA06

SPLICE TRAY

Each splice tray is purchased separately.



Splice tray

ORDERING INFORMATION	
DESCRIPTION	ADAPTER TYPE
Splice tray; 12 splices per tray mass fusion ribbon	FST-F3DF-MT-D*
Heat shrink (single fiber fusion)	FST-F3DF-HS
Bare fusion	FST-F3DF-FT
Mechanical (mass fusion)	FST-F3DF-MT
Nortel QPAK	FST-F3DF-NT

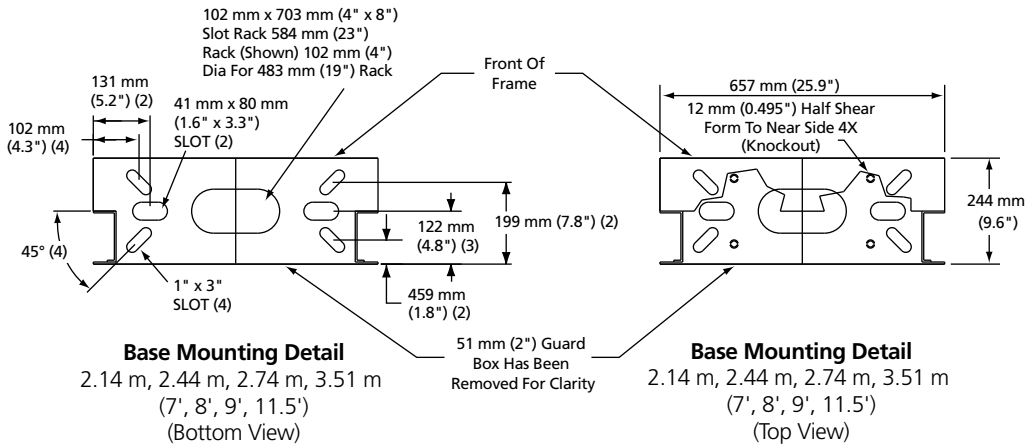
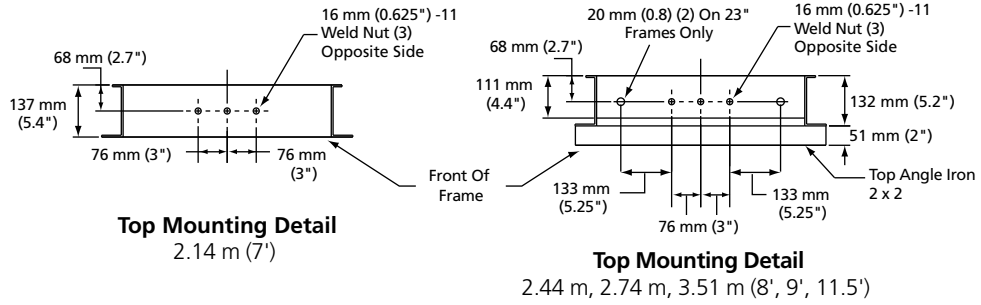
* Use only one FST-F3DF-MT-D per splice drawer (24 splices per tray).

Use trays with the LSX splice panel only (above).

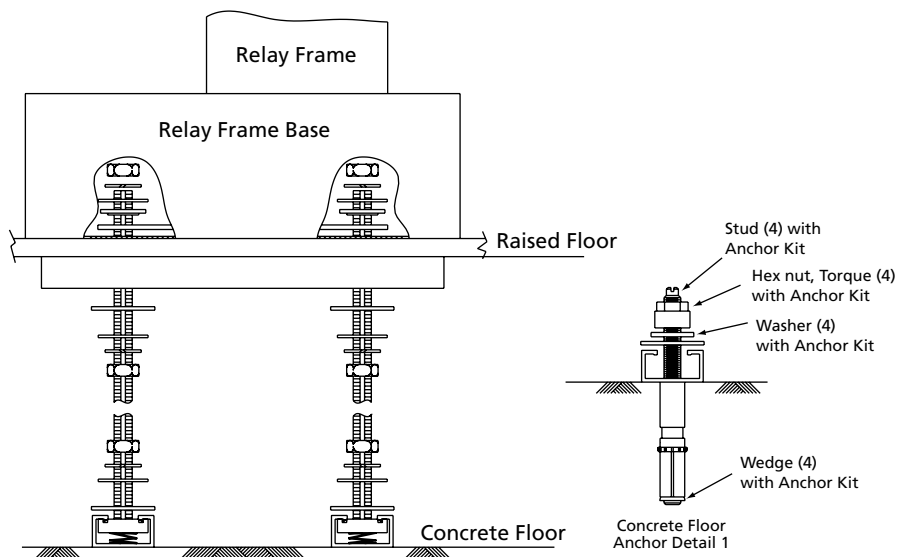
Note: Trays can not be used in preterminated LSX splice panels. Preterminated LSX splice panels already include splice trays.

Frame Accessories

FRAME INSTALLATION KIT



Network Type Unequal Flange Frame Mounting Details



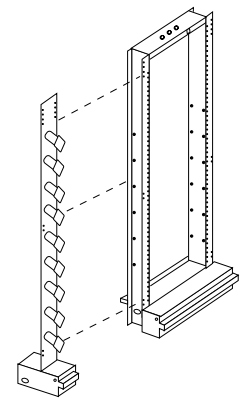
Underfloor Mounting Kit

Frame installation kits may be used on network frames and are seismic zone 4 rated.

ORDERING INFORMATION	
DESCRIPTION	CATALOG NUMBER
Frame installation kit for 2.14 m (7') frames, includes; 1 floor mounting kit 1 top attachment kit for 2.14 m (7') frames 12 frame tie brackets kits 1 frame ground kit for 2.14 m (7') frames	RINST-DSX7-PW
Universal anchor kit, for all UEF frames includes; 4 anchor assemblies 2 universal hold down bars 8 anchor plate washers 8 shim plates 2 mm (0.063") 4 shim plates 3 mm (0.125")	RINST-FLR
Isolation Pad accomodates: 1 UEF 23" network frame 2 end guards 2 interbay management panels	FDF-ISOTEMPLATE

INTERBAY MANAGEMENT PANEL

ORDERING INFORMATION		
DESCRIPTION	DIMENSIONS (H X W X D)	CATALOG NUMBER
Interbay Management panel (IMP)	2.14 m x 127 mm x 305 mm (7' x 5" x 12")	E-501-L139-A

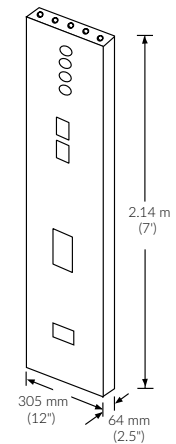


Interbay management panel

END GUARD

End guards provide protection and a finished appearance at the start and end of frame lineups. They attach to either a frame or an interbay management panel. End guards serve as a mounting place for outlets and switches and are used interchangeable for either left or right applications.

ORDERING INFORMATION	
DESCRIPTION	CATALOG NUMBER
End guard Mounts on IMP or network frame 2.14 m x 64 mm x 305 mm (7' H x 2.5" W x 12" D)	UEGP-7PW



End guard

Panel accessories

CABLE CLAMP KIT AND CABLE RING KIT

The cable clamp kit provides a means of securing the end of an OSP or IFC cable to the side of an LSX panel. The cable ring protects and manages jumpers on the frame.

ORDERING INFORMATION	
DESCRIPTION	CATALOG NUMBER
Cable clamp kit includes 1 dual bracket and 1 cable clamp	LSX-CBLCLMPKIT
Cable ring kit includes 2 cable rings and appropriate hardware	LSX-ACCVCGKIT

STANDARD CROSS-CONNECT PATCH CORD LENGTHS

NUMBER OF FRAMES	APPROXIMATE PATCH CORD LENGTH METERS (FEET)
1	4 m and 6 m (13.1' and 19.7')
2	6 m (19.7')
3	6 m and 7 m (19.7' and 23')
4	7 m and 8 m (23' and 26.2')
5	8 m and 9 m (26.2' and 29.5')
6	9 m (29.5')

For recommended cross-connect methods and installation instructions, refer to LSX user manual.

ORDERING INFORMATION FOR PATCH CORDS AND ATTENUATORS

CommScope offers a comprehensive line of cable assembly and accessory products including patch cords, IFC assemblies, attenuators.

Please visit www.commscope.com or contact customer service.

CommScope (NASDAQ: COMM) helps design, build and manage wired and wireless networks around the world. As a communications infrastructure leader, we shape the always-on networks of tomorrow.

For more than 40 years, our global team of greater than 20,000 employees, innovators and technologists has empowered customers in all regions of the world to anticipate what's next and push the boundaries of what's possible. Discover more at commscope.com

COMMSCOPE®

commscope.com

Visit our website or contact your local CommScope representative for more information.

© 2024 CommScope, Inc. All rights reserved.

All trademarks identified by ™ or ® are trademarks or registered trademarks in the US and may be registered in other countries. All product names, trademarks and registered trademarks are property of their respective owners. This document is for planning purposes only and is not intended to modify or supplement any specifications or warranties relating to CommScope products or services.

BR-111950.3-EN (11/24)