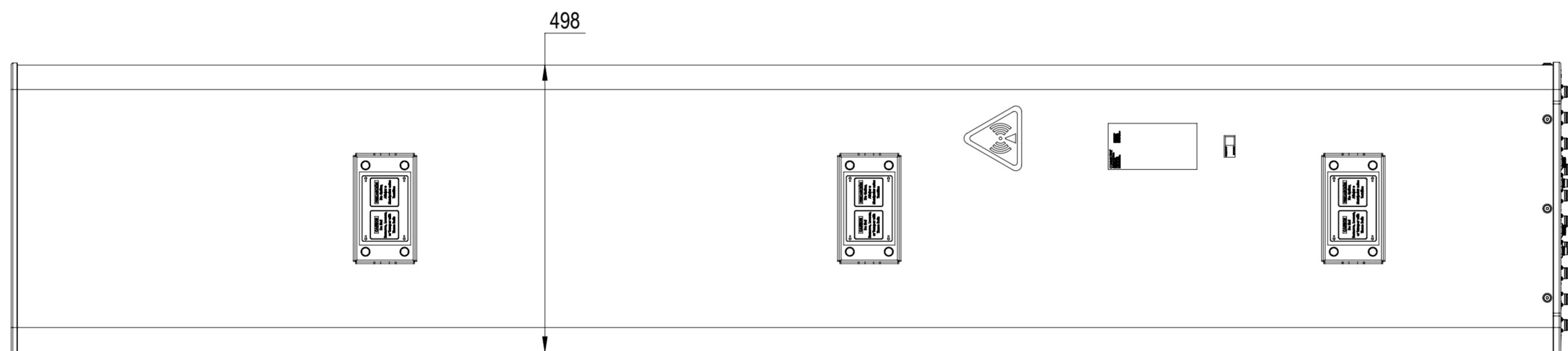
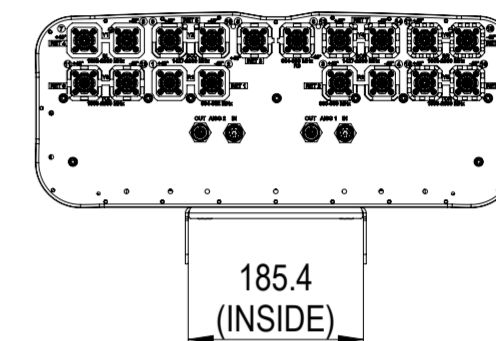
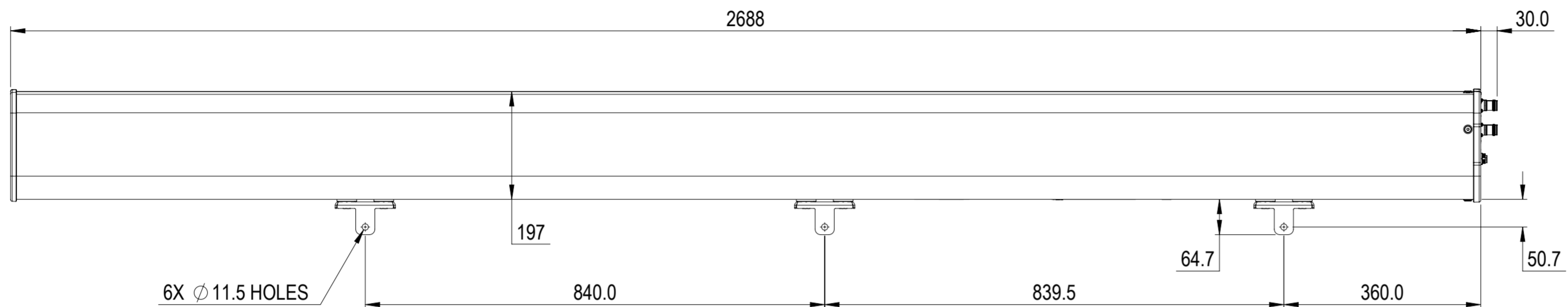


REVISIONS			
REV.	DESCRIPTION	DATE	APPROVED
A	ECR 8000038251: REL TO PRODUCTION PER EAO 607406.	19JAN20 HK	LP.Y / ZT



EGRZZV4-65D-R8V2

COMMSCOPE, INC. OF NORTH CAROLINA																			
TOLERANCES					SAP MATERIAL MASTER														
0 PLACE	X ±	2 PLACE	.XX ±																
1 PLACE	.X ±	ANGLES	±																
FINISH					MATERIAL														
<small>UNLESS OTHERWISE SPECIFIED DIMENSIONS ARE IN MILLIMETERS INTERPRET PER ISO STANDARDS HANDBOOK TECHNICAL DRAWINGS VOLUMES 1 &amp; 2, THIRD EDITION (2002)</small>																			
										NAME	DATE	TITLE							
										CE	HK1022	01/19/2020	PRODUCT DRAWING						
										RW	HK1022	01/21/2020							
										RV	LPYANG	01/21/2020							
AD	TZ1021	01/21/2020																	
RE	HZ1014	01/21/2020																	
ECN 8000038251-O																			
SCALE		DOCUMENT NO.																	
1:8		EGRZZV4-65D-R8V2-L																	
SIZE			WORK AREA			MODEL			DRAWING										
A2			23			RE			A										
VERSION			STATUS			REVISION			SHEET										
00			RE			A			1 OF 1										

DENSITY	g/mm <sup>3</sup>
MASS	grams
VOLUME	mm <sup>3</sup>
SURFACE AREA	mm <sup>2</sup>
HEIGHT	
LENGTH	
WIDTH	