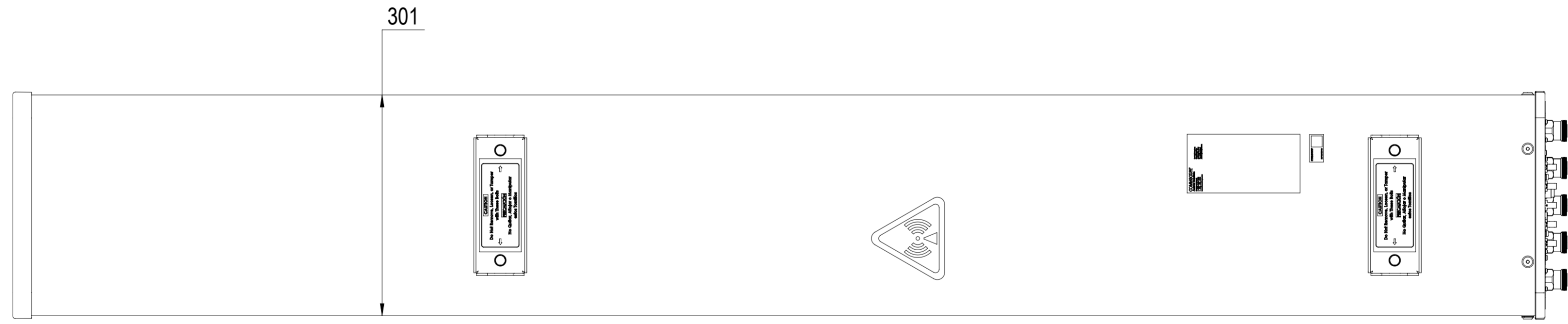
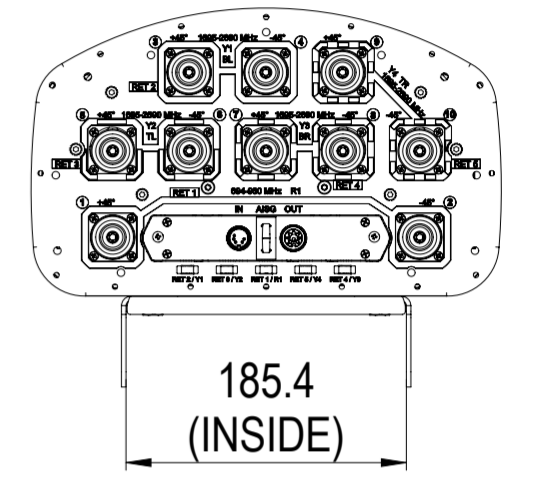
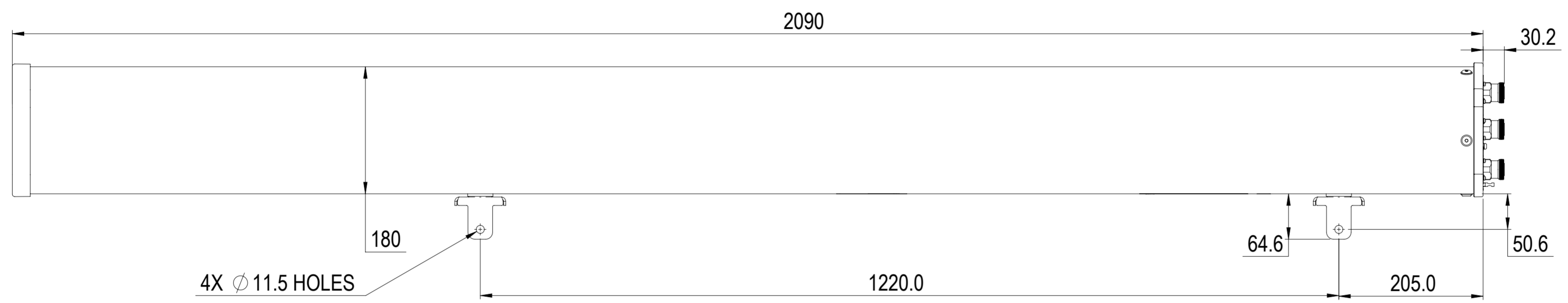


REVISIONS			
REV.	DESCRIPTION	DATE	APPROVED
A	ECR 8000039997: REL TO PRODUCTION PER EAO 608182.	07APR20 NK	AB / YL



10P-2L8M-B5-V2

COMMSCOPE, INC. OF NORTH CAROLINA											
TOLERANCES						SAP MATERIAL MASTER					
0 PLACE X ±			2 PLACE .XX ±			1 PLACE .X ±			ANGLES ±		
FINISH						MATERIAL					
PRODUCT DRAWING											
UNLESS OTHERWISE SPECIFIED DIMENSIONS ARE IN MILLIMETERS INTERPRET PER ISO STANDARDS HANDBOOK 1 TECHNICAL DRAWINGS VOLUMES 1 & 2, THIRD EDITION (2002)		NAME	DATE	TITLE							
		CE NK	07APR19	10P-2L8M-B5-V2-L							
		RW XK1001	04/13/2020								
		RV BA1025	04/13/2020								
		AD LY1021	04/13/2020								
RE XIAOWANG	04/13/2020	SCALE 1:8		DOCUMENT NO.							
ECN 8000039997-O											
DENSITY g/mm ³ MASS grams VOLUME mm ³ SURFACE AREA mm ²		SIZE	WORK AREA	23	MODEL			DRAWING			SHEET 1 OF 1
		HEIGHT			VERSION	STATUS	REVISION	VERSION	STATUS	REVISION	
		LENGTH			00	RE	A	00	RE	A	
WIDTH											