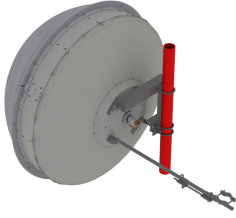


LX6-7W-4GR



1.8m | 6ft ValuLine® Low Wind Load Antenna, dual-polarized, 7.125 – 8.500 GHz, grey, PDR84 flange

OBSOLETE

This product was discontinued on: May 1, 2022

Replaced By:

LX6-7W-4WH

1.8m | 6ft ValuLine® Low Wind Load Antenna, dual-polarized, 7.125 – 8.500 GHz, white, PDR84 flange

Product Classification

Product Type	Microwave antenna
Product Brand	ValuLine®

General Specifications

Antenna Type	LX - ValuLine® Low Wind Load Antenna, dual-polarized
Polarization	Dual
Antenna Input	PDR84
Antenna Color	Gray
Reflector Construction	One-piece reflector
Radome Color	Gray
Radome Material	Molded
Flash Included	No
Side Struts, Included	1
Side Struts, Optional	1

Dimensions

Diameter, nominal	1.8 m 6 ft
--------------------------	--------------

Electrical Specifications

Operating Frequency Band	7.125 – 8.500 GHz
Gain, Low Band	39.2 dBi

LX6-7W-4GR

Gain, Mid Band	39.7 dBi
Gain, Top Band	40.3 dBi
Front-to-Back Ratio	60 dB
Return Loss	23.9 dB
VSWR	1.14
Radiation Pattern Envelope Reference (RPE)	7439
Electrical Compliance	IC 3059A IC 3064A US FCC Part 101A US FCC Part 74A

Electrical Specifications, Band 2

Beamwidth, Horizontal	1.6 °
Beamwidth, Vertical	1.6 °
Boresite Cross Polarization Discrimination (XPD)	33 dB

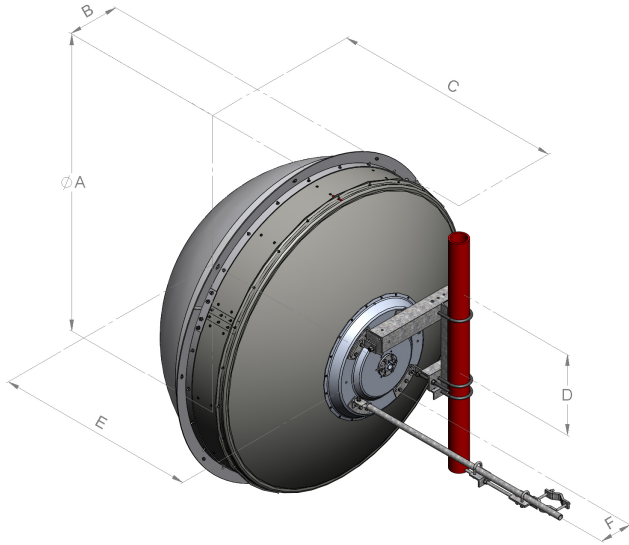
Mechanical Specifications

Compatible Mounting Pipe Diameter	115 mm 4.5 in
Fine Azimuth Adjustment Range	±5°
Fine Elevation Adjustment Range	±15°
Wind Speed, operational	180 km/h 111.847 mph
Wind Speed, survival	200 km/h 124.274 mph

LX6-7W-4GR

Antenna Dimensions and Mounting Information

HX6



Dimensions in inches (mm)						
Antenna size, ft (m)	A	B	C	D	E	F
6 (1.8)	76.5 (1942)	13.4 (340)	60.0 (1523)	20.9 (530)	51.9 (1317)	8.4 (214)

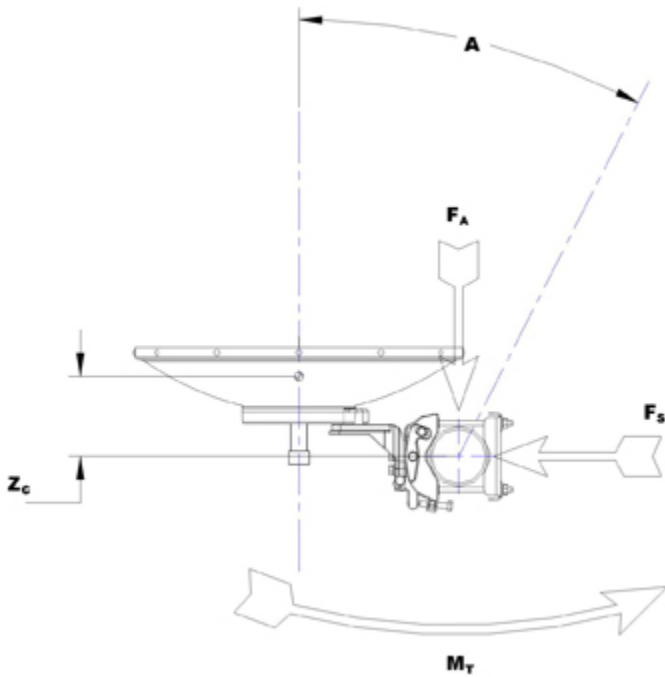
Wind Forces at Wind Velocity Survival Rating

Axial Force (FA)	4670 N 1,049.858 lbf
Angle α for MT Max	-120 °
Side Force (FS)	2050 N 460.858 lbf
Twisting Moment (MT)	2500 N-m 22,126.863 in lb
Force on Inboard Strut Side	2900 N 651.946 lbf
Zcg without Ice	490 mm 19.291 in
Zcg with 1/2 in (12 mm) Radial Ice	540 mm 21.26 in
Weight with 1/2 in (12 mm) Radial Ice	191 kg 421.082 lb

LX6-7W-4GR

LX6-7W-4GR

Wind Forces at Wind Velocity Survival Rating Image



Packaging and Weights

Height, packed	2150 mm 84.646 in
Width, packed	1225 mm 48.228 in
Length, packed	2070 mm 81.496 in
Packaging Type	Standard pack
Volume	5.5 m ³ 194.231 ft ³
Weight, gross	186 kg 410.059 lb
Weight, net	86 kg 189.597 lb

Regulatory Compliance/Certifications

Agency	Classification
CHINA-ROHS	Below maximum concentration value
REACH-SVHC	Compliant as per SVHC revision on www.commscope.com/ProductCompliance
ROHS	Compliant
UK-ROHS	Compliant



LX6-7W-4GR

* Footnotes

Operating Frequency Band	Bands correspond with CCIR recommendations or common allocations used throughout the world. Other ranges can be accommodated on special order.
Gain, Mid Band	For a given frequency band, gain is primarily a function of antenna size. The gain of Andrew antennas is determined by either gain by comparison or by computer integration of the measured antenna patterns.
Front-to-Back Ratio	Denotes highest radiation relative to the main beam, at $180^\circ \pm 40^\circ$, across the band. Production antennas do not exceed rated values by more than 2 dB unless stated otherwise.
Return Loss	The figure that indicates the proportion of radio waves incident upon the antenna that are rejected as a ratio of those that are accepted.
VSWR	Maximum; is the guaranteed Peak Voltage-Standing-Wave-Ratio within the operating band.
Radiation Pattern Envelope Reference (RPE)	Radiation patterns define an antenna's ability to discriminate against unwanted signals. Under still dry conditions, production antennas will not have any peak exceeding the current RPE by more than 3dB, maintaining an angular accuracy of $\pm 1^\circ$ throughout
Wind Speed, operational	For VHLP(X), SHP(X), HX and USX antennas, the wind speed where the maximum antenna deflection is 0.3 x the 3 dB beam width of the antenna. For other antennas, it is defined as a deflection is equal to or less than 0.1 degrees.
Wind Speed, survival	The maximum wind speed the antenna, including mounts and radomes, where applicable, will withstand without permanent deformation. Realignment may be required. This wind speed is applicable to antenna with the specified amount of radial ice.
Axial Force (FA)	Maximum forces exerted on a supporting structure as a result of wind from the most critical direction for this parameter. The individual maximums specified may not occur simultaneously. All forces are referenced to the mounting pipe.
Side Force (FS)	Maximum side force exerted on the mounting pipe as a result of wind from the most critical direction for this parameter. The individual maximums specified may not occur simultaneously. All forces are referenced to the mounting pipe.
Twisting Moment (MT)	Maximum forces exerted on a supporting structure as a result of wind from the most critical direction for this parameter. The individual maximums specified may not occur simultaneously. All forces are referenced to the mounting pipe.
Packaging Type	Andrew standard packing is suitable for export. Antennas are shipped as standard in totally recyclable cardboard or wire-bound crates (dependent on product). For your convenience, Andrew offers heavy duty export packing options.