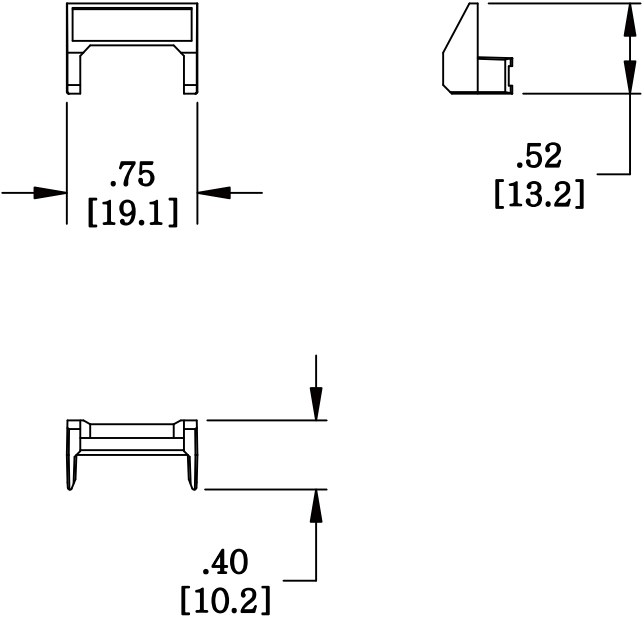


MATERIAL ID	DESCRIPTION
107296519	M60 BLANK INFORMATION OUTLET ICON INSERT, GREEN

NOTES:

- SEE SYSTIMAX CATALOG FOR PART NUMBER SUFFIXES TO INDICATE COLOR/PKG.
- SEE SYSTIMAX CATALOG FOR COMPLETE LIST OF PARTS RELATED TO THE USE OF THIS PRODUCT.
- DIMENSIONS IN PARENTHESES ARE IN METRIC.
- PART INCLUDES:
(1) OUTLET ICON INSERT, GREEN



M60B-226	
COMMScope, INC OF NORTH CAROLINA	
SYSTIMAX® SOLUTIONS	
DRAWN BY AW	
DATE 05/31/2011	DWG NO 107296519

REV	DATE	ECR	DESCRIPTION	APPROVED BY
1	05/31/11		INITIAL ISSUE	