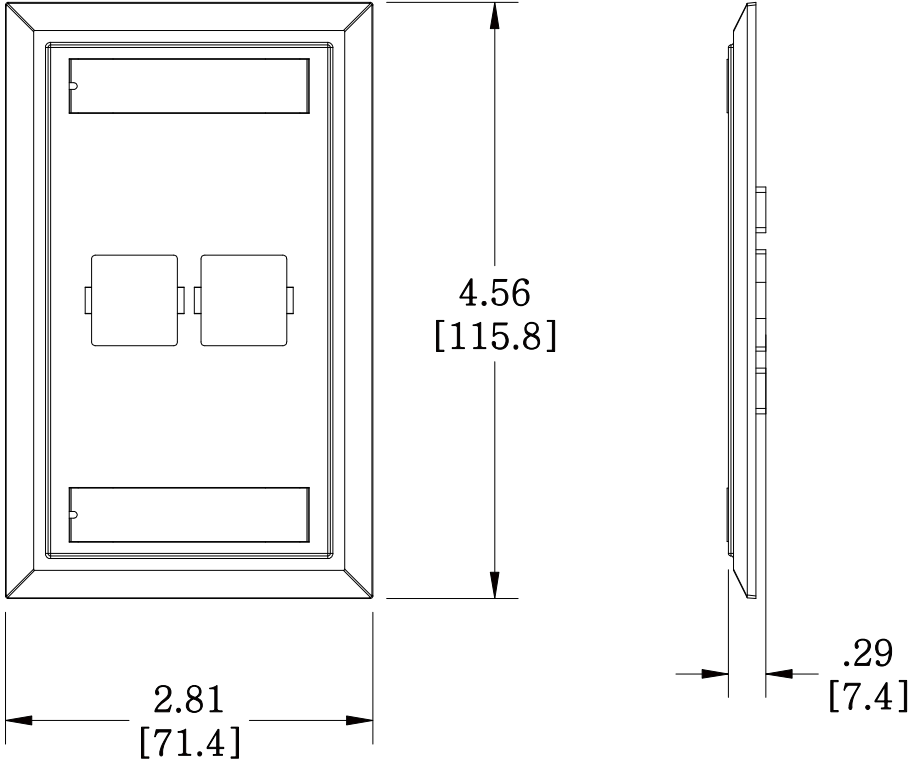


MATERIAL ID	DESCRIPTION
108168485	L TYPE FLUSH MOUNTED FACEPLATE, TWO PORT BLACK

NOTES:

- SEE COMMSCOPE CATALOG FOR PART NUMBER SUFFIXES TO INDICATE COLOR/PKG.
- SEE COMMSCOPE CATALOG FOR COMPLETE LIST OF PARTS RELATED TO THE USE OF THIS PRODUCT.
- DIMENSIONS IN PARENTHESES ARE IN METRIC.
- PART INCLUDES:  
 (1) FACEPLATE  
 (2) RETAINER, CARD  
 (2) CARD, NUMBER  
 (2) SCREW, TRUSS HEAD



M12L-003
<b>COMMSCOPE, INC</b> OF NORTH CAROLINA

1	5/26/11		INITIAL ISSUE	XX	DRAWN BY DJ	
REV	DATE	ECR	DESCRIPTION	APPROVED BY	DATE 5/26/2011	DWG NO 108168485