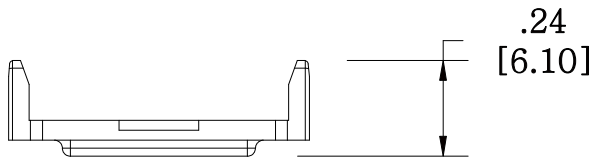


MATERIAL ID

DESCRIPTION

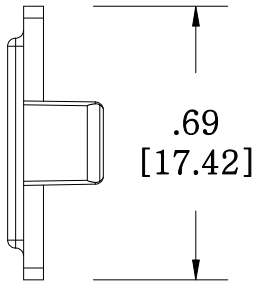
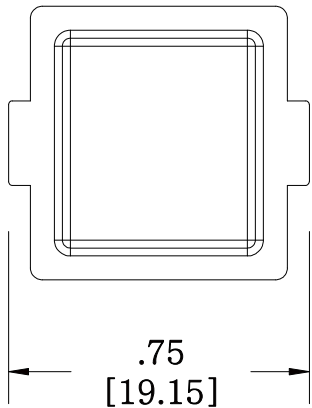
108481003

M20 DUST COVER FOR M-SERIES FACEPLATES AND OUTLETS, CREAM



NOTES:

- 1. SEE COMMSCOPE CATALOG FOR PART NUMBER SUFFIXES TO INDICATE COLOR/PKG.
- 2. SEE COMMSCOPE CATALOG FOR COMPLETE LIST OF PARTS RELATED TO THE USE OF THIS PRODUCT.
- 3. DIMENSIONS IN PARENTHESES ARE IN METRIC.
- 4. PART INCLUDES:  
(1) COVER, DUST



M20AP-215

**COMMSCOPE, INC** OF NORTH CAROLINA

1	5/30/11		INITIAL ISSUE	XX	DRAWN BY DJ		
REV	DATE	ECR	DESCRIPTION	APPROVED BY	DATE 5/30/2011		DWG NO 108481003