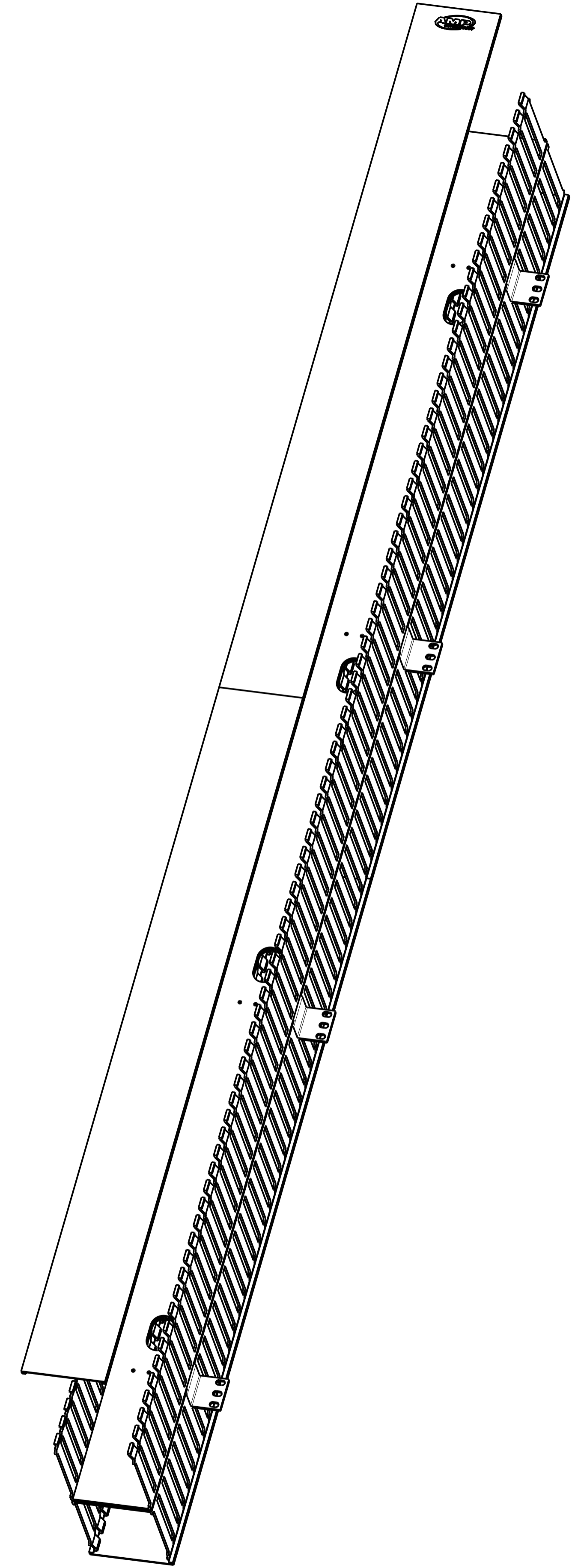
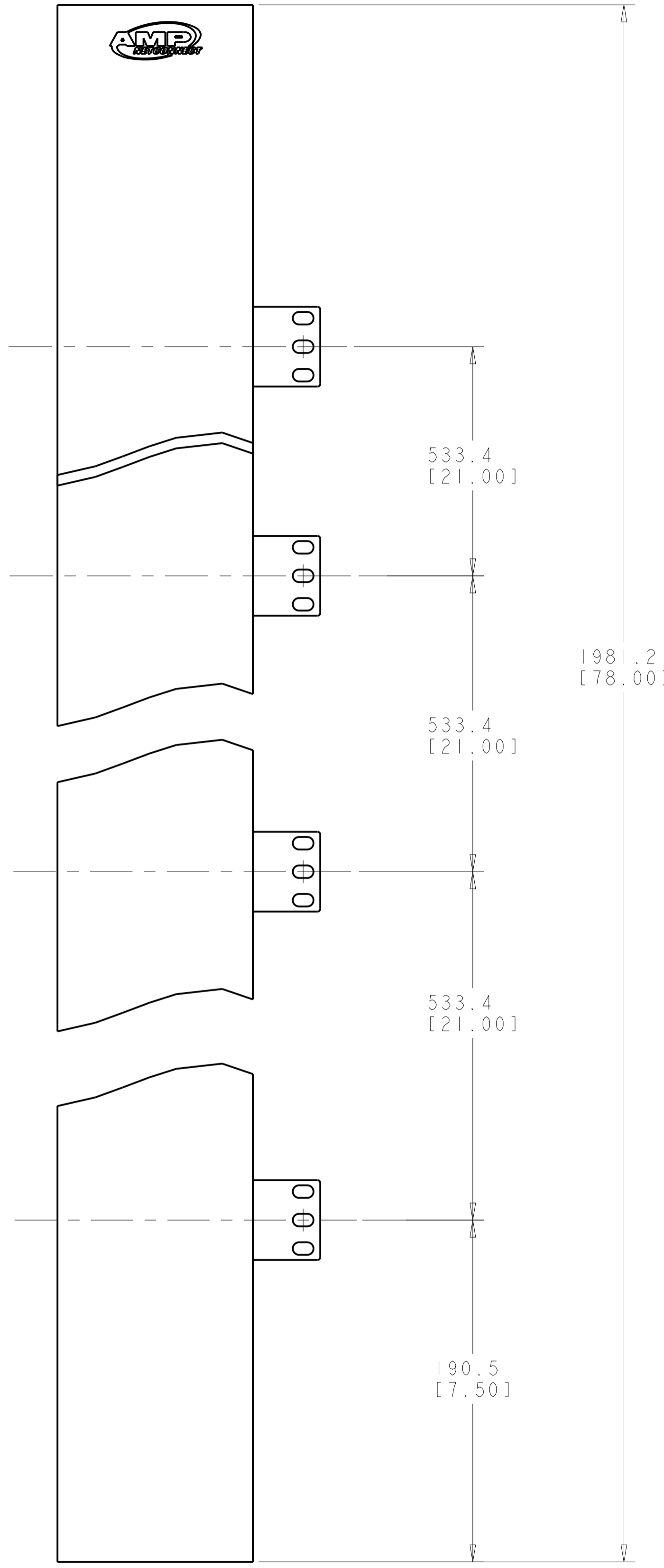
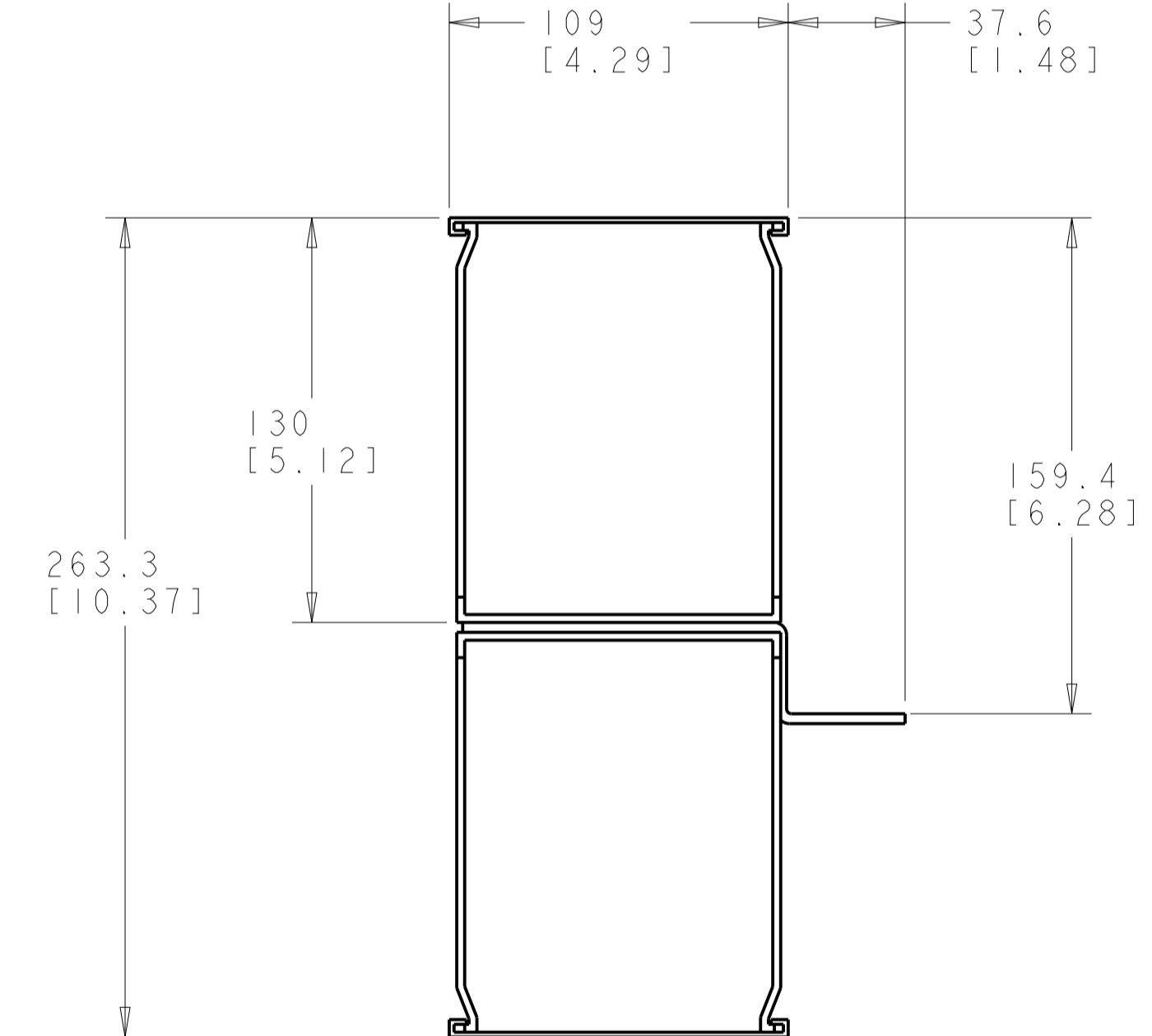


REVISIONS				
P.	LTN.	DESCRIPTION	DATE	DWN. APVD.
D		REV BNS_CD_BRAND	10FEB2017	GG DC

- △ MATERIAL: ASSEMBLY - POWDER COATED ALUMINUM, AND PVC, BLACK, MATTE FINISH.
2. ALL DIMENSIONS ARE NOMINAL UNLESS OTHERWISE NOTED.



SCALE 1:4



1375257-1
PART NUMBER

THIS DRAWING IS A CONTROLLED DOCUMENT.		DWN L. SMITH 05OCT2000	COMMSCOPE, INC.	
DIMENSIONS: MM [INCH]		CHK S. HERNDON 05OCT2000		
TOLERANCES UNLESS OTHERWISE SPECIFIED:		APVD T. COLEMAN 05OCT2000	NAME PANEL, VERT. CABLE MANAGEMENT, 78 INCH, FRONT AND REAR	
0 PLC ±	1 PLC ±	PRODUCT SPEC	SIZE CAGE CODE DRAWING NO RESTRICTED TO	
2 PLC ±	3 PLC ±	APPLICATION SPEC	A1 C=1375257	
4 PLC ±	ANGLES ±	WEIGHT	SCALE 1:2 SHEET 1 OF 1 REV D	
MATERIAL	FINISH	CUSTOMER DRAWING		