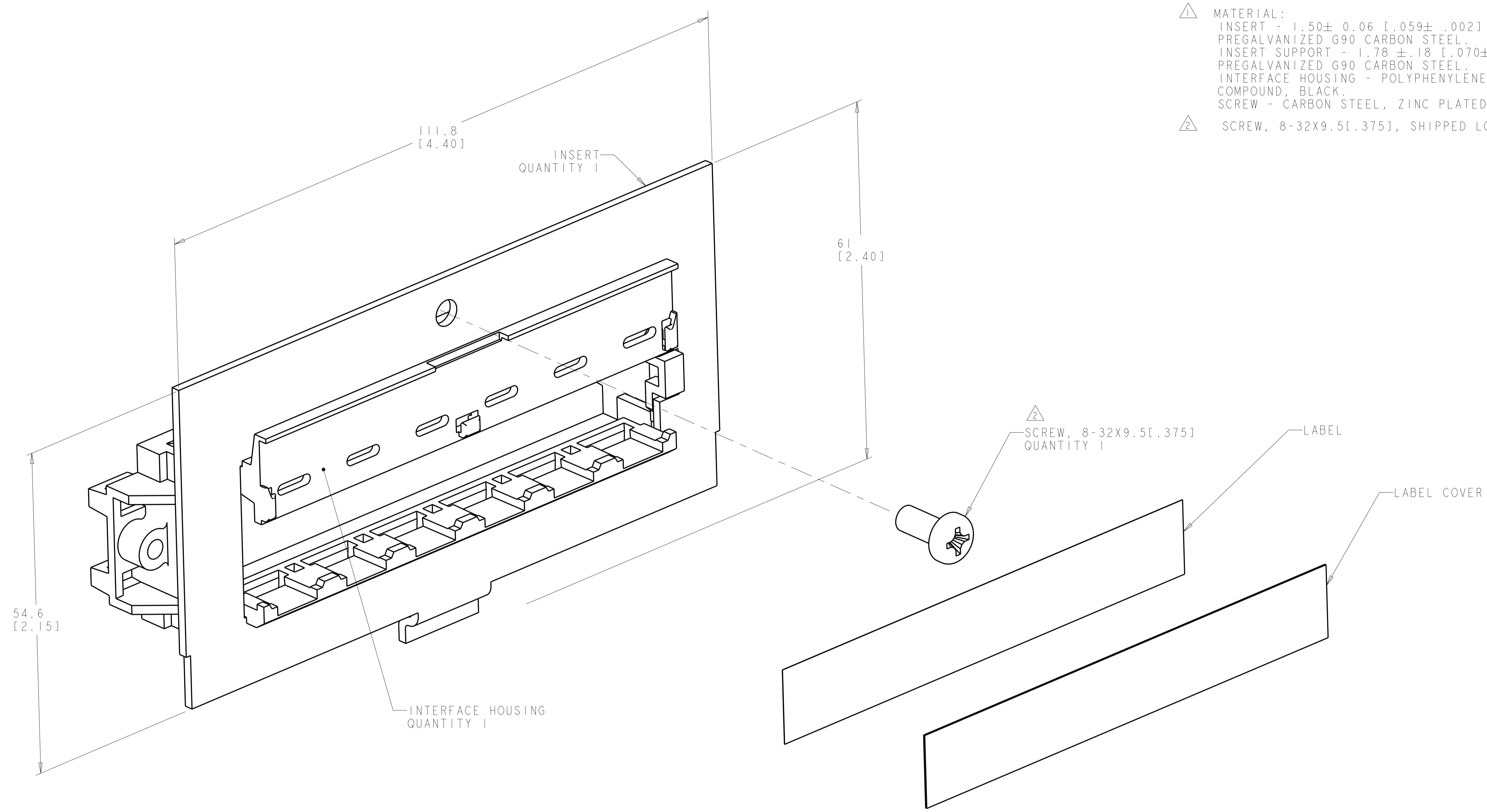


REVISIONS				
REV	LTN	DESCRIPTION	DATE	APP'D
A		RLSD; NPR NSD04-031	19MAR04	GG SH
B		REV PER BNS_CD_BRAND	14MAR2017	GG DC



⚠ MATERIAL:
 INSERT - 1.50± 0.06 [.059± .002] THICK
 PREGALVANIZED G90 CARBON STEEL.
 INSERT SUPPORT - 1.78 ±.18 [.070± .007] THICK
 PREGALVANIZED G90 CARBON STEEL.
 INTERFACE HOUSING - POLYPHENYLENE OXIDE MOLDING
 COMPOUND, BLACK.
 SCREW - CARBON STEEL, ZINC PLATED.
 ⚠ SCREW, 8-32X9.5[.375], SHIPPED LOOSE.

1479696-1
 PART NUMBER

THIS DRAWING IS A CONTROLLED DOCUMENT.		OWN G. GARRETT 19MAR04	COMMSCOPE, INC.	
DIMENSIONS: MM [INCHES]		CHK S. HERNDON 19MAR04	NAME MULTIMEDIA KIT, SL SERIES, CONSOLIDATION POINT	
TOLERANCES UNLESS OTHERWISE SPECIFIED:		APP'D S. HERNDON 19MAR04	RESTRICTED TO	
0 PLC ±	1 PLC ±0.25(.01)	PRODUCT SPEC	SIZE A1	CAGE CODE 1479696
2 PLC ±	3 PLC ±	APPLICATION SPEC	SCALE 1:1	SHEET 1 OF 1
4 PLC ±	ANGLES ±	WEIGHT	REV B	
MATERIAL	FINISH	CUSTOMER DRAWING		