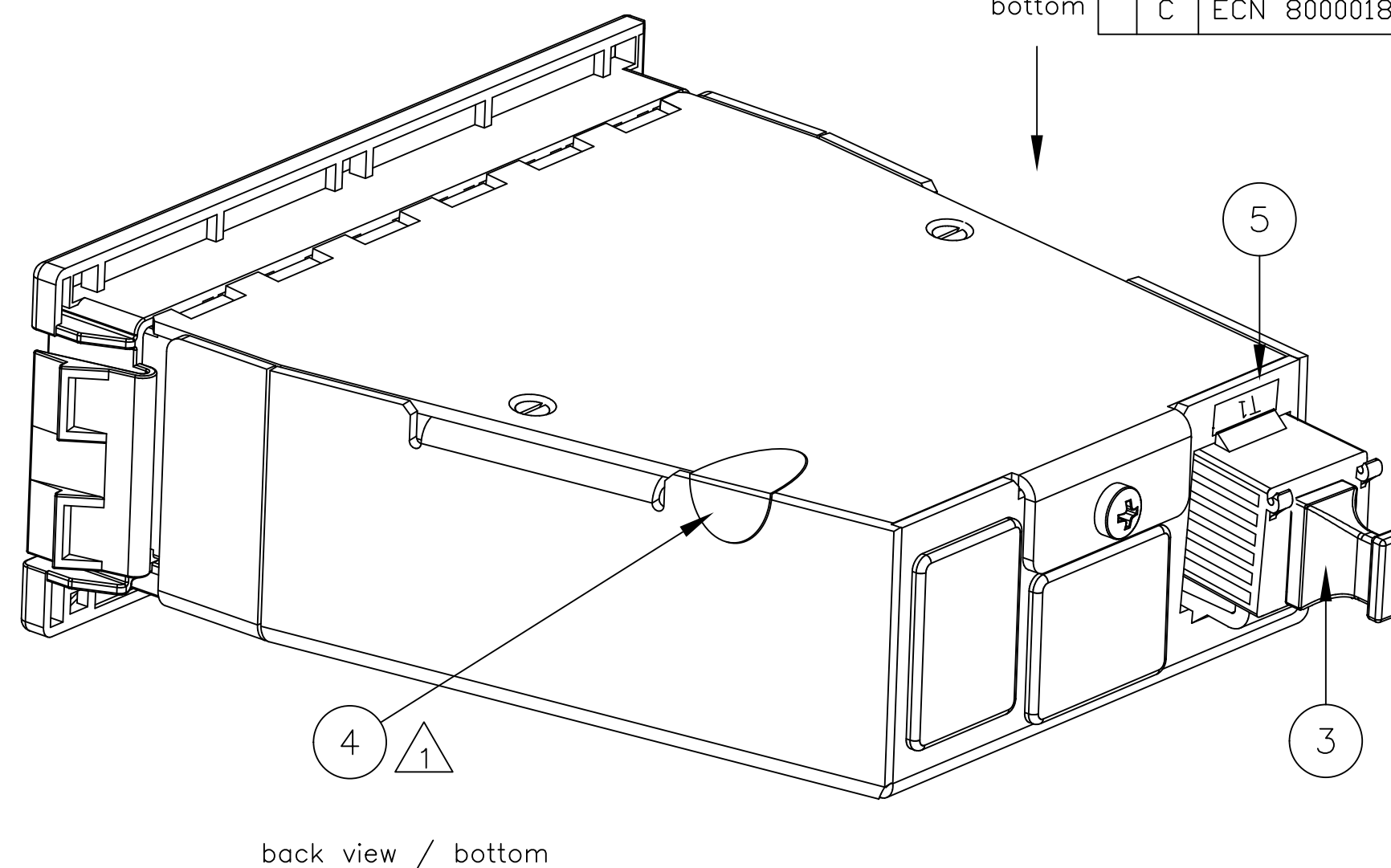
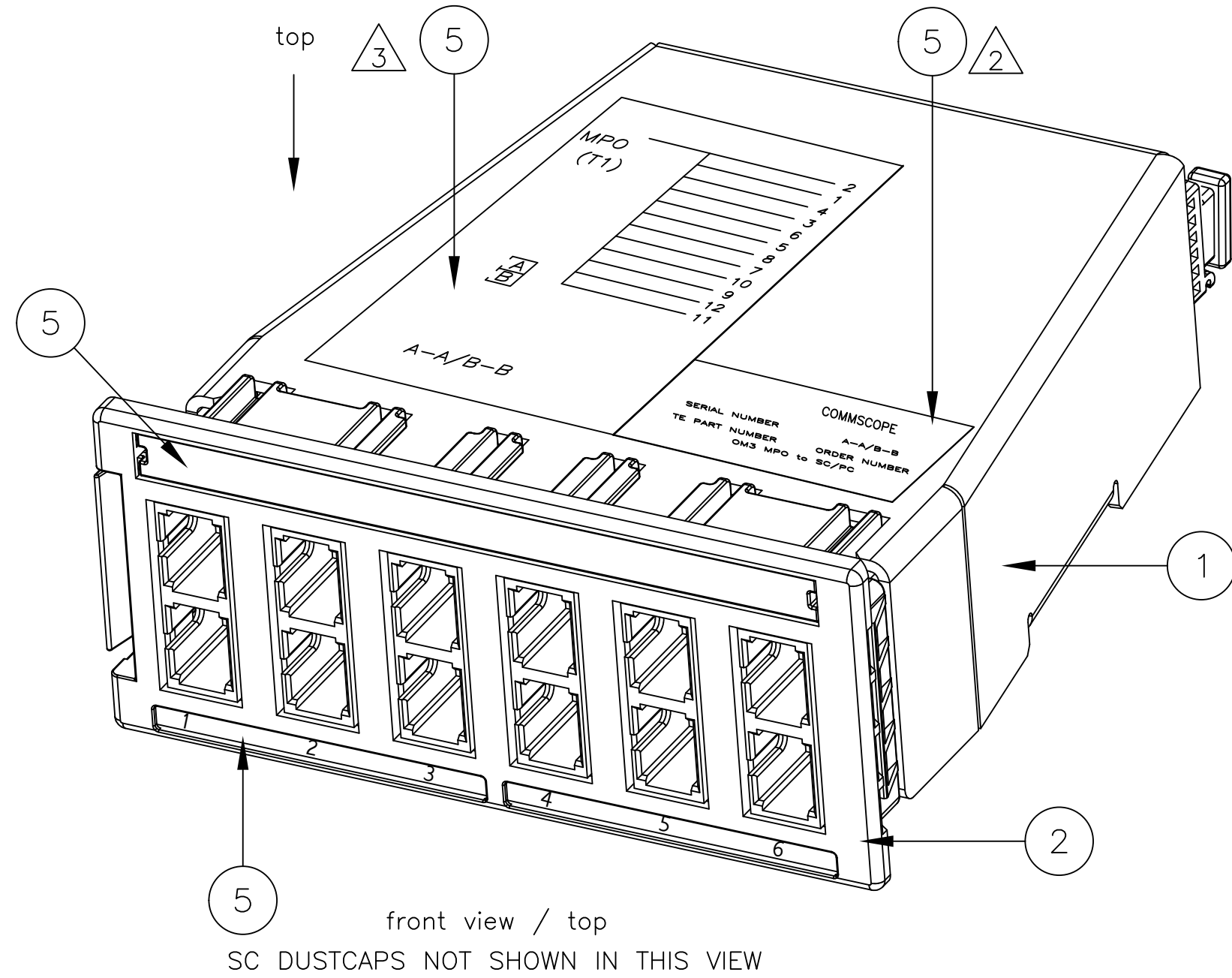


THIS DRAWING IS UNPUBLISHED. RELEASED FOR PUBLICATION  
 © 2016 Commscope, INC. Confidential NOTICE: These drawings and specifications are the proprietary property of COMMSCOPE, INC. and may be used only for the specific purpose authorized in writing by COMMSCOPE, INC.

REVISONS		DATE	DWN	APVD
P	LTR	DESCRIPTION		
B		ECN-12-003936	29022012	MO MO
C		ECN 8000018218 REBRANDING	18012017	RCR SC



OPTICAL PERFORMANCE FOR CASSETTES

- PERFORMANCE EXCEEDS REQUIREMENTS I.S. 11801, TIA/EIA 568.B3
- ATTENUATION ALL MEASURED ACCORDING I.E.C. 61300-3-4; WITH MODAL CONDITION ACCORDING TO: IS 14763-3, OFSTP-14, IEC 61280-4-1
- RETURN LOSS ALL MEASURED ACCORDING I.E.C. 61300-3-6; WITH MODAL CONDITION ACCORDING TO: IS 14763-3, OFSTP-14, IEC 61280-4-1

FOR OM1: ATTENUATION ≤ 1,0dB\*, MEASURED BETWEEN REFERENCE CONNECTORS AT 850 nm AND 1300 nm  
 (MM62,5) RETURN LOSS ≥ 20dB, MEASURED BETWEEN REFERENCE CONNECTORS AT 850 nm AND 1300 nm

FOR OM2: ATTENUATION ≤ 1,0dB\*, MEASURED BETWEEN REFERENCE CONNECTORS AT 850 nm AND 1300 nm  
 (MM50) RETURN LOSS ≥ 20dB, MEASURED BETWEEN REFERENCE CONNECTORS AT 850 m AND 1300 nm

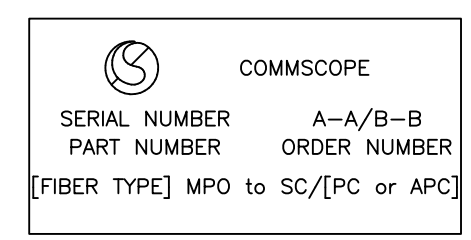
FOR OM3: ATTENUATION ≤ 0,75dB\*, MEASURED BETWEEN REFERENCE CONNECTORS AT 850 nm  
 (MM50) RETURN LOSS ≥ 23dB, MEASURED BETWEEN REFERENCE CONNECTORS AT 850 nm

FOR OS2/PC: ATTENUATION ≤ 1,0dB\* MEASURED BETWEEN REFERENCE CONNECTORS AT 1310 m AND 1550 nm  
 (SM 9/125) RETURN LOSS ≥ 35dB, MEASURED BETWEEN REFERENCE CONNECTORS AT 1310 nm AND 1550 nm

FOR OS2/APC: ATTENUATION ≤ 0,75dB\* MEASURED BETWEEN REFERENCE CONNECTORS AT 1310 m AND 1550 nm  
 (SM 9/125) RETURN LOSS ≥ 45dB, MEASURED BETWEEN REFERENCE CONNECTORS AT 1310 nm AND 1550 nm

\* CASSETTE LOSS: EACH CASSETTE CONTAINS 2 CONNECTIONS PER FIBER CHANNEL

- 1 WARRANTY VOID IF SEAL IS BROKEN
- 2 LABEL INFORMATION: EXAMPLE:  
 - COMMSCOPE LOGO  
 - SERIAL NUMBER  
 - COMMSCOPE NUMBER  
 - "A-A/B-B" OR "A-B/B-A"  
 - ORDER NUMBER  
 - FIBER TYPE & CONNECTOR TYPE
- 3 INFORMATION LABEL FOR FIBER PATH
- 4 TEST RESULT SHEET SUPPLIED WITH EACH INDIVIDUALLY PACKED CASSETTE



\*\* USE OF MPOptimate VARIANT RECOMMENDED FOR HIGH CONNECTIVITY APPLICATIONS

PART NUMBER	TYPE	PART NUMBER	ADAPTER COLOR
STRAIGHT A-A/B-B		PAIR FLIPPED A-B/B-A	
1671207-1	MM62.5 (OM1) (SC/PC)	1-1671207-1	BEIGE
1671207-2	MM50 (OM2) (SC/PC)	1-1671207-2	BLACK
1671207-3	MM50 (OM3)** (SC/PC)	1-1671207-3	AQUA
1671207-4	SM (OS2) (SC/PC)	1-1671207-4	BLUE
1671207-6	SM (OS2) (SC/APC 8°)	1-1671207-6	GREEN

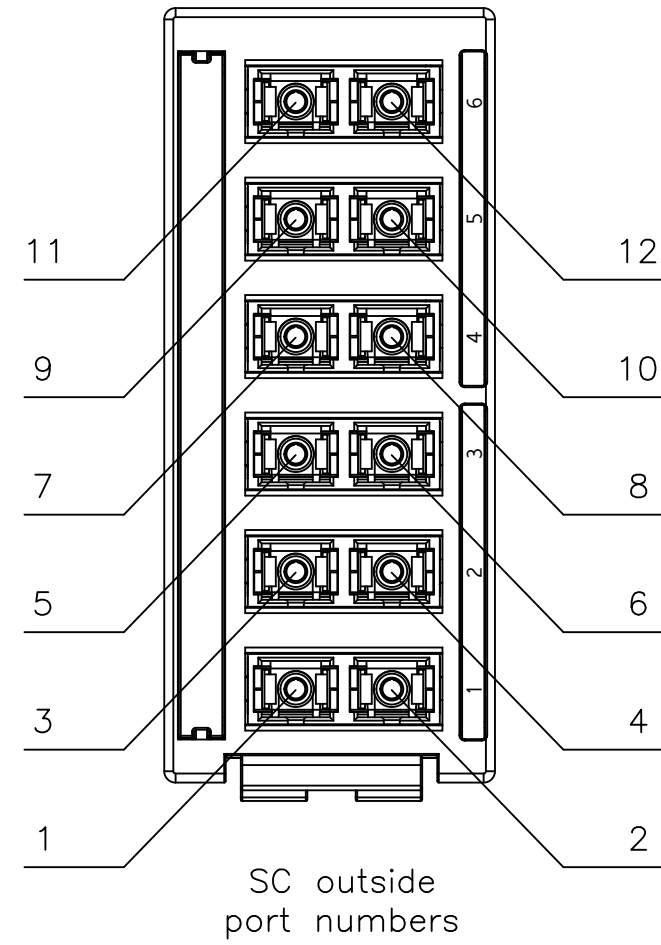
Qty	Description	Item
5	INFORMATION LABEL	5
1	FOAC WARRANTY LABEL	4
1	MPO ADAPTER WITH DUST CAP	3
1	INTERFACE HOUSING WITH 6 DUPLEX SC ADAPTERS	2
1	QUICK-FIT CASSETTE MODULE WITH COVER, BLACK	1

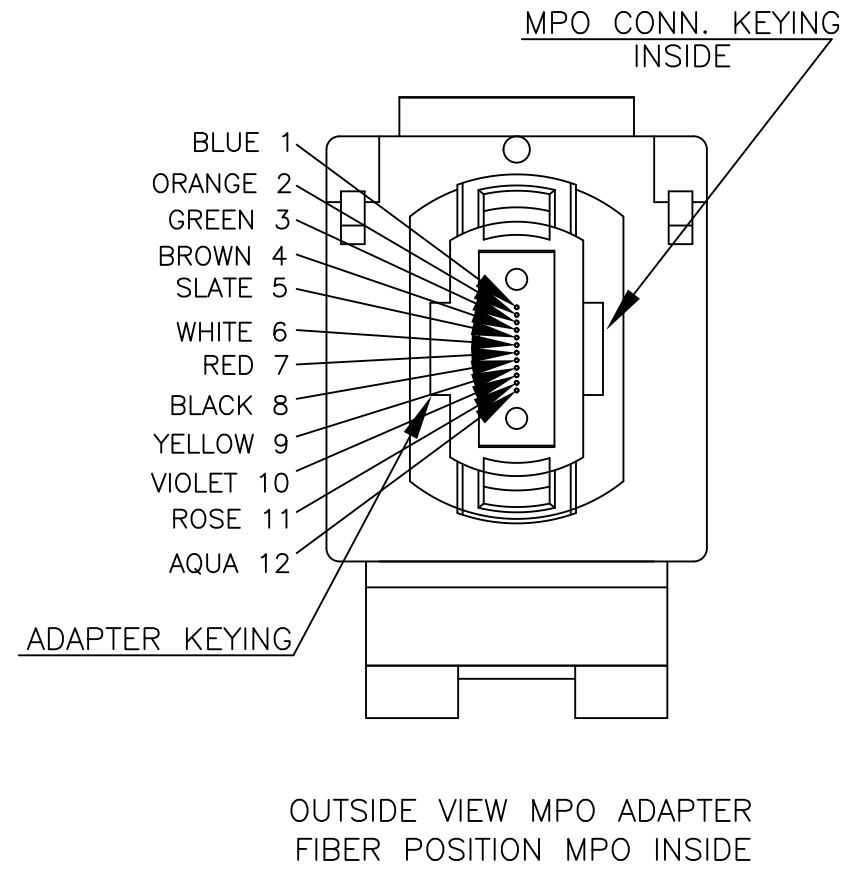
THIS DRAWING IS A CONTROLLED DOCUMENT.		DWN 10-03-2010 M.A.H. Oppers	<b>COMMSCOPE, INC.</b>		
DIMENSIONS: mm		CHK 10-03-2010 T.v.d. Meuler			NAME
TOLERANCES UNLESS OTHERWISE SPECIFIED:		APVD 10-03-2010 M.A.H. Oppers			FOCASS QUICK-FIT MPO - 6 X SC DUPLEX
0 PLC ± - 1 PLC ± - 2 PLC ± - 3 PLC ± - 4 PLC ± - ANGLES ± - FINISH		PRODUCT SPEC APPLICATION SPEC			SIZE CAGE CODE DRAWING NO RESTRICTED TO
MATERIAL		WEIGHT	A2 - C=1671207	SCALE NTS SHEET 1 of 2 REV C	
		CUSTOMER DRAWING			

THIS DRAWING IS UNPUBLISHED. RELEASED FOR PUBLICATION 03,10-03-2010  
 © 2016 Commscope, INC. Confidential NOTICE: These drawings and specifications are the proprietary property of COMMSCOPE, INC. and may be used only for the specific purpose authorized in writing by COMMSCOPE, INC.

REVISIONS				
P	LTR	DESCRIPTION	DATE	APVD
-	-	SEE SHEET 1	-	-



SC outside port numbers  
DUSTCAPS NOT SHOWN IN THIS VIEW



OUTSIDE VIEW MPO ADAPTER  
FIBER POSITION MPO INSIDE

### FIBER ROUTING

CONNECTIVITY STRAIGHT A-A / B-B		
SC *		MPO
2	→	1
1	→	2
4	→	3
3	→	4
6	→	5
5	→	6
8	→	7
7	→	8
10	→	9
9	→	10
12	→	11
11	→	12

CONNECTIVITY PAIR FLIPPED A-B / B-A		
SC *		MPO
2	→	1
1	→	2
4	→	3
3	→	4
6	→	5
5	→	6
8	→	7
7	→	8
10	→	9
9	→	10
12	→	11
11	→	12

\*) = SC port outside (see above)

THIS DRAWING IS A CONTROLLED DOCUMENT.		DWN M.A.Hoppers 10-03-2010	<b>COMMSCOPE, INC.</b>	
DIMENSIONS: mm		CHK T.v.d Meuler 10-03-2010		
TOLERANCES UNLESS OTHERWISE SPECIFIED:		APVD M.A.Hoppers 10-03-2010	NAME FOCASS QYUICK-FIT MPO - 6 X SC DUPLEX	
0 PLC ± -		PRODUCT SPEC	SIZE A2	
1 PLC ± -		APPLICATION SPEC	DRAWING NO C=1671207	
2 PLC ± -		WEIGHT	RESTRICTED TO	
3 PLC ± -		MATERIAL	SCALE NTS	
4 PLC ± -		FINISH	SHEET 2 of 2	
ANGLES ± -		CUSTOMER DRAWING	REV C	

1671207