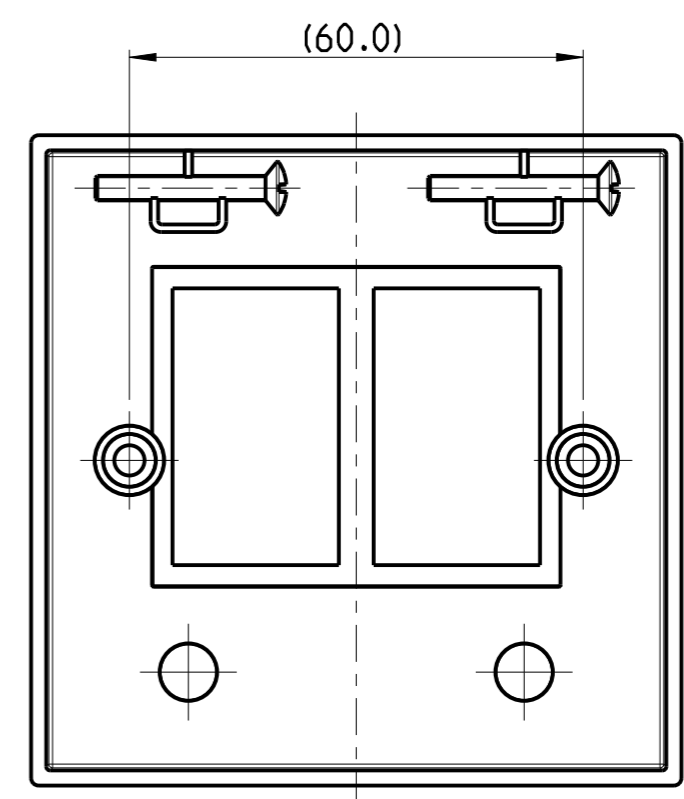
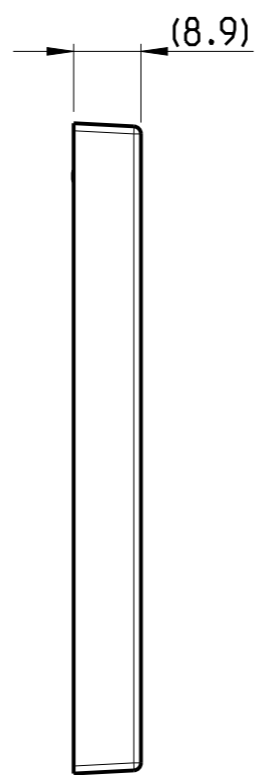
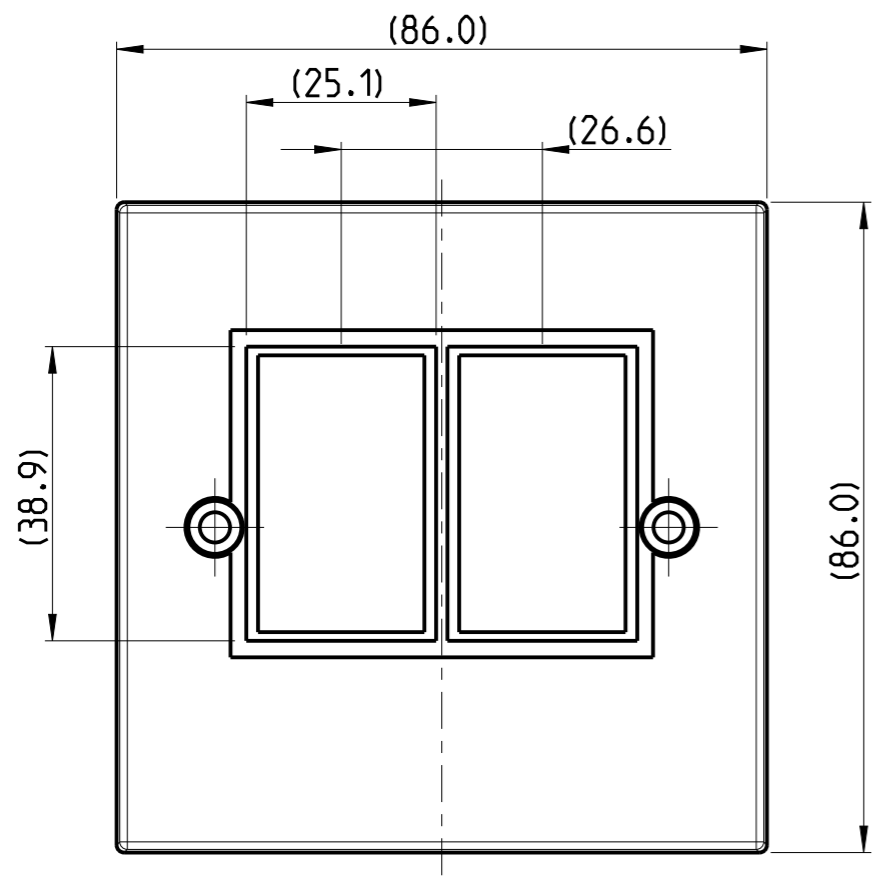


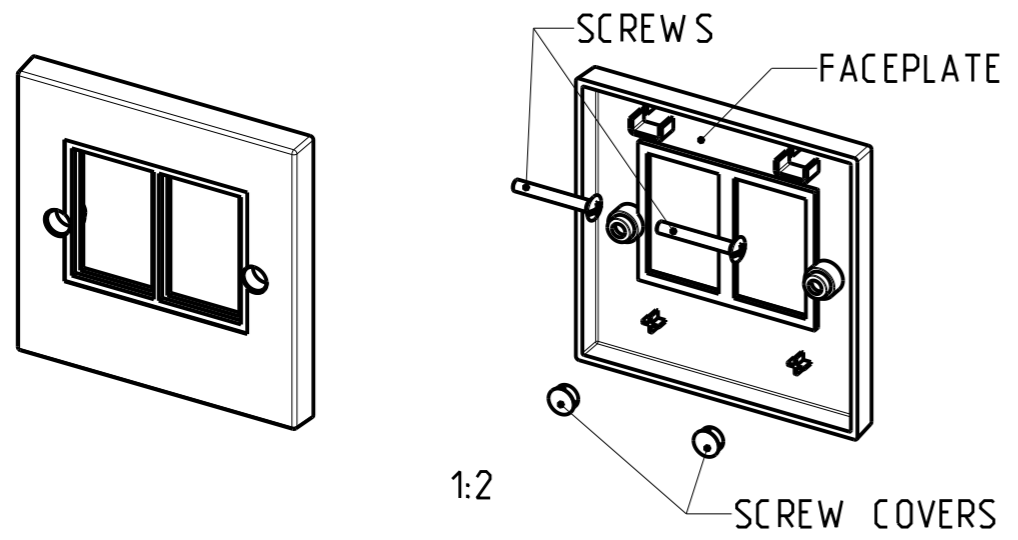
THIS DRAWING IS UNPUBLISHED
 RELEASED FOR PUBLICATION
 © 2016 COMMScope, INC. CONFIDENTIAL
 NOTICE: THESE DRAWINGS AND SPECIFICATIONS ARE THE PROPRIETARY PROPERTY OF COMMScope, INC. AND MAY BE USED ONLY FOR THE SPECIFIC PURPOSE AUTHORIZED IN WRITING BY COMMScope, INC.

REVISIONS					
P	LTR	DESCRIPTION	DATE	DWN	APVD
	A	FIRST RELEASE	15JUN2005	MP	AC
	B	REV PER BNS_CD_BRAND	02FEB2017	GG	DC



1. PRODUCT DESCRIPTION:
 UNLOADED FACEPLATE FOR 2 MODULES LJ6C

WHITE, RAL 9003	1711302-1
COLOUR	PART NUMBER



THIS DRAWING IS A CONTROLLED DOCUMENT.		DWN M.PANADERO 15JUN2005	COMMScope, INC. NAME UNLOADED FACEPLATE FOR 2 MODULES LJ6C					
DIMENSIONS: mm		CHK A.CARRERAS 15JUN2005				SIZE	CAGE CODE	DRAWING NO
TOLERANCES UNLESS OTHERWISE SPECIFIED:		APVD J.SANABRA 15JUN2005				A3	-	C-1711302
0 PLC ±0.2 1 PLC ±0.2 2 PLC ± 3 PLC ± 4 PLC ± ANGLES ±		PRODUCT SPEC				RESTRICTED TO		
MATERIAL		FINISH	Customer Drawing					
			SCALE 1:1 SHEET 1 OF 1 REV B					