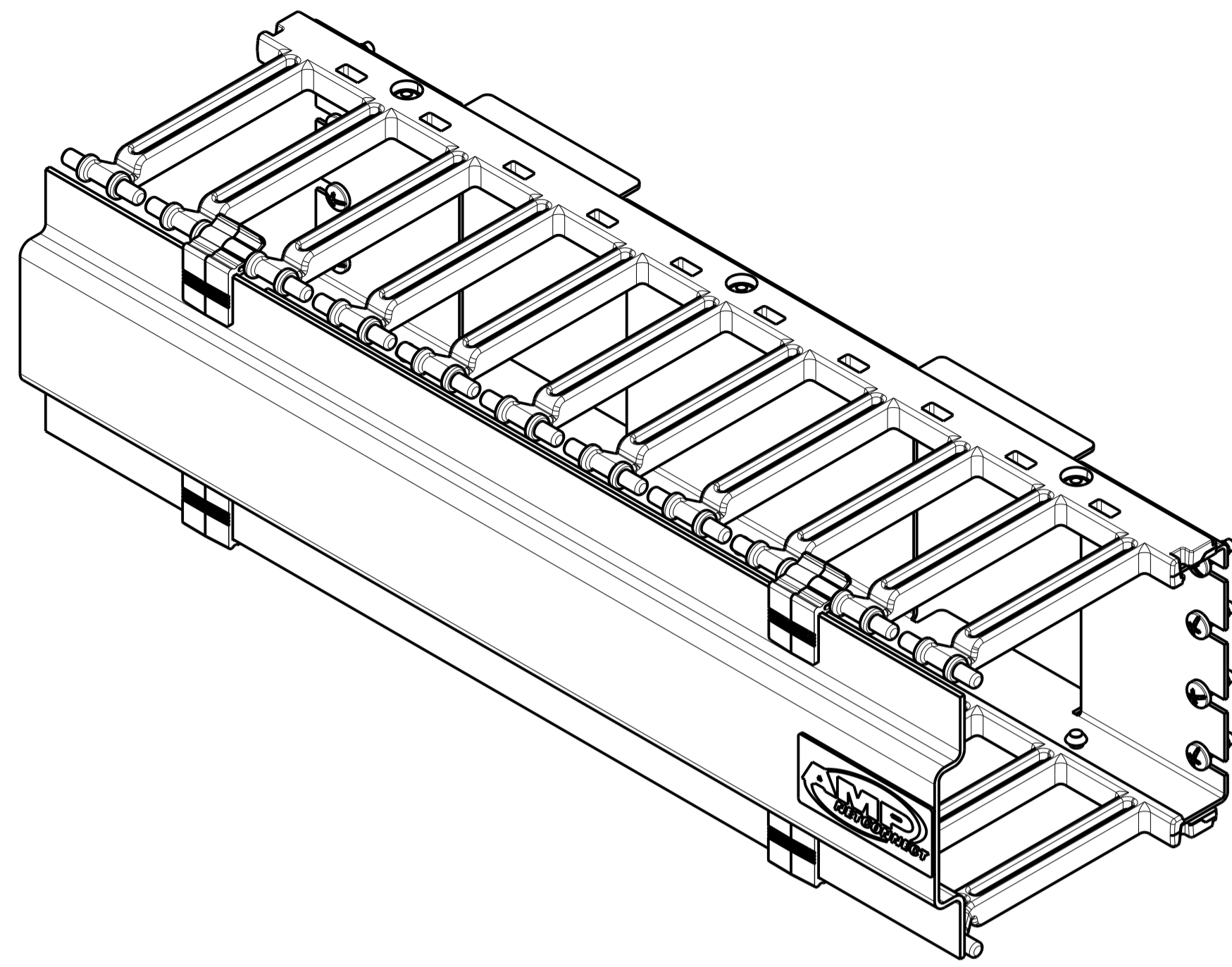
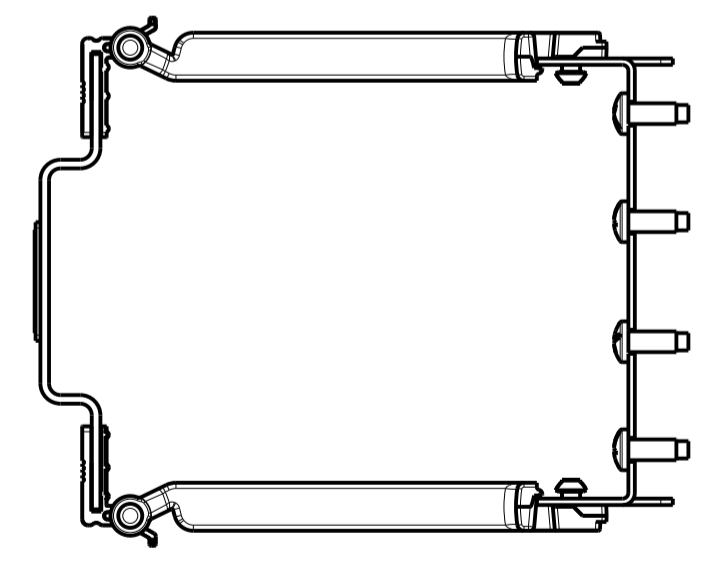
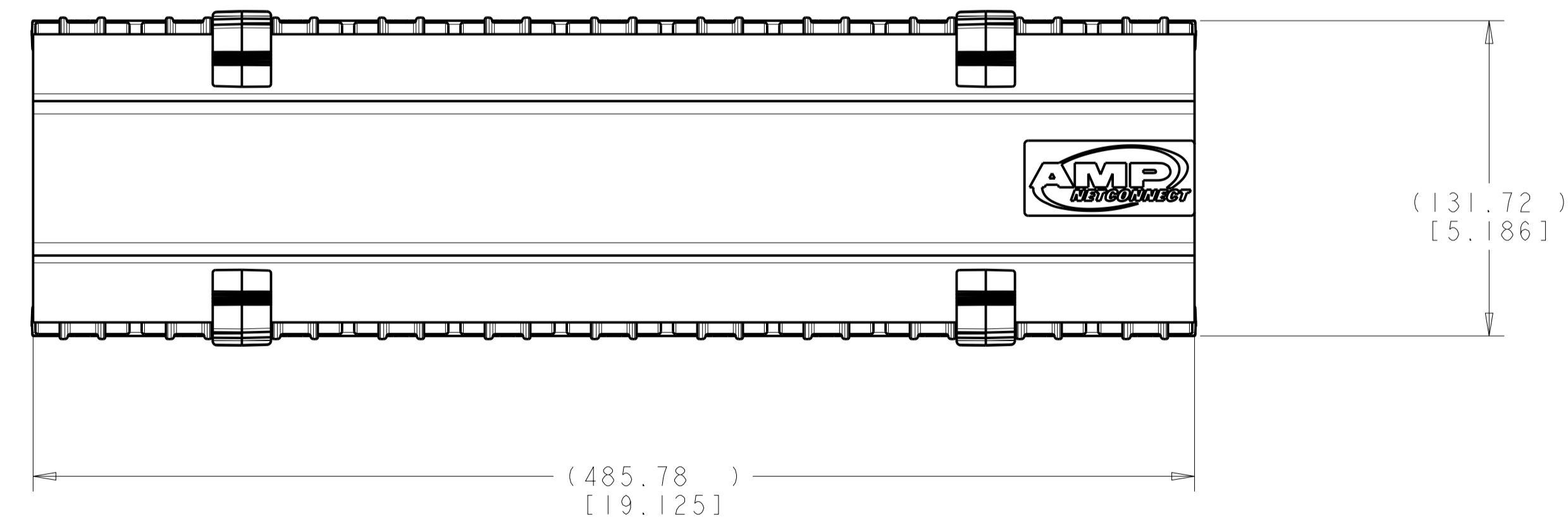
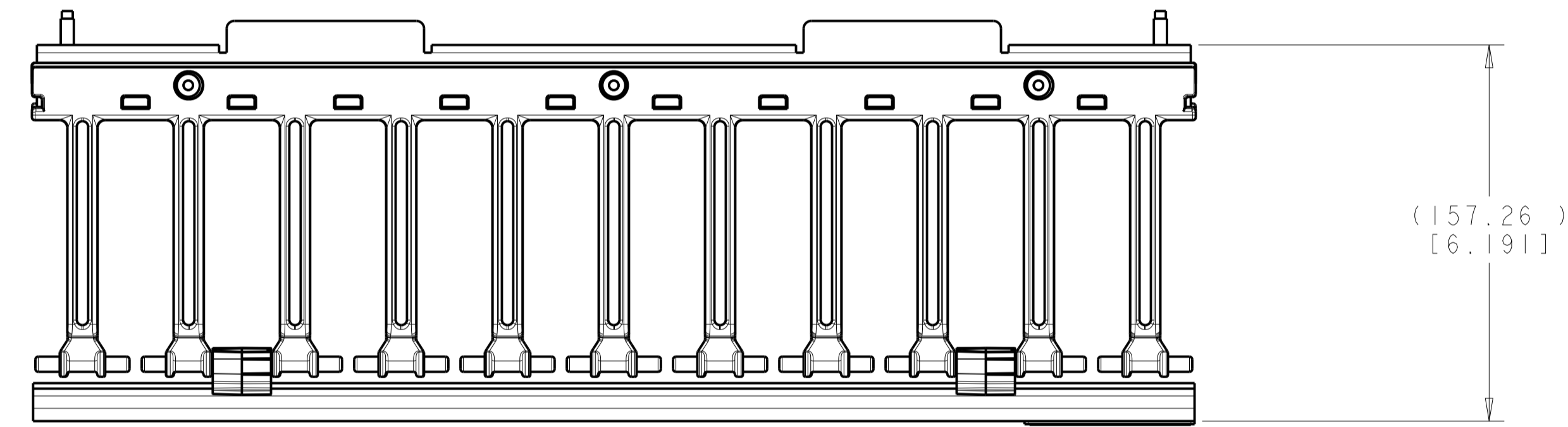


REVISIONS				
P.	LTN	DESCRIPTION	DATE	APP'D
A		RLSD; NSD07-114	13DEC2007	GG SH
B		REV PER BNS_CD_BRAND	01FEB2017	GG DC



△ MATERIAL:  
 FINGER SECTIONS - UL 94V-0 POLYCARBONATE, BLACK.  
 CABLE MANAGER COVERS - (2.29) [0.090] 5052-H32 ALUMINUM.  
 SPACERS/BRACKETS - 14 GA. CARBON STEEL.

FINISH:  
 SPACERS, BRACKETS AND CABLE MANAGER COVERS -  
 POLYESTER POWDERCOATING, FLAT BLACK, 1F59126.



1933561-1  
 PART NUMBER

THIS DRAWING IS A CONTROLLED DOCUMENT.		DWN G. GARRETT 13DEC2007	COMMSCOPE, INC.	
DIMENSIONS: (MM) [INCHES]		CHK S. HERNDON 13DEC2007	NAME HORIZONTAL, 3U, SINGLE SIDED	
TOLERANCES UNLESS OTHERWISE SPECIFIED: 0 PLC ± 1 PLC ± 2 PLC ± 3 PLC ± 4 PLC ± ANGLES ±		APP'D S. HERNDON 13DEC2007	RESTRICTED TO	
MATERIAL		PRODUCT SPEC	SIZE CAGE CODE DRAWING NO	
FINISH		APPLICATION SPEC	A1 C=1933561	
CUSTOMER DRAWING		WEIGHT	SCALE 1:2 SHEET 1 OF 1 REV B	