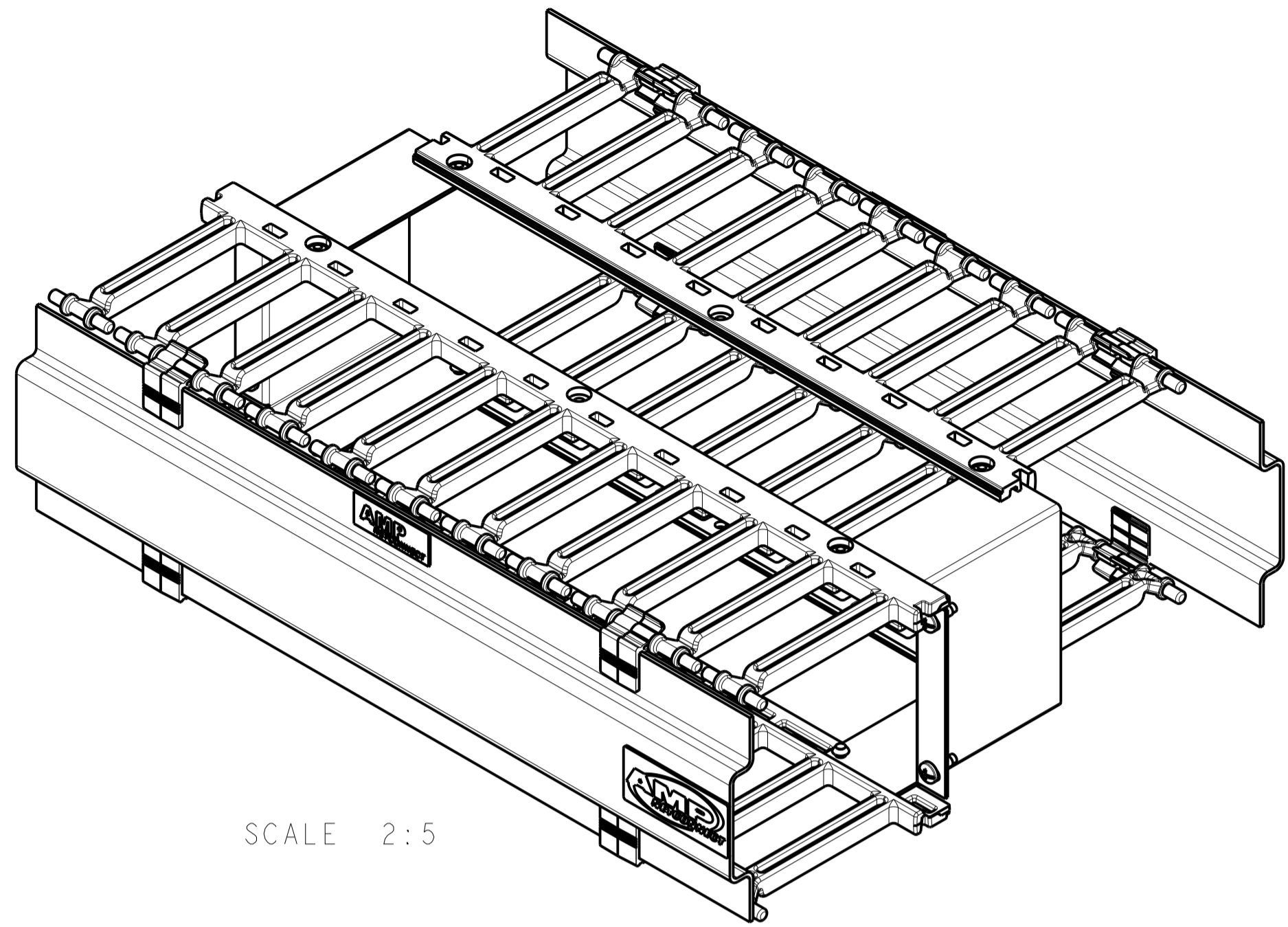


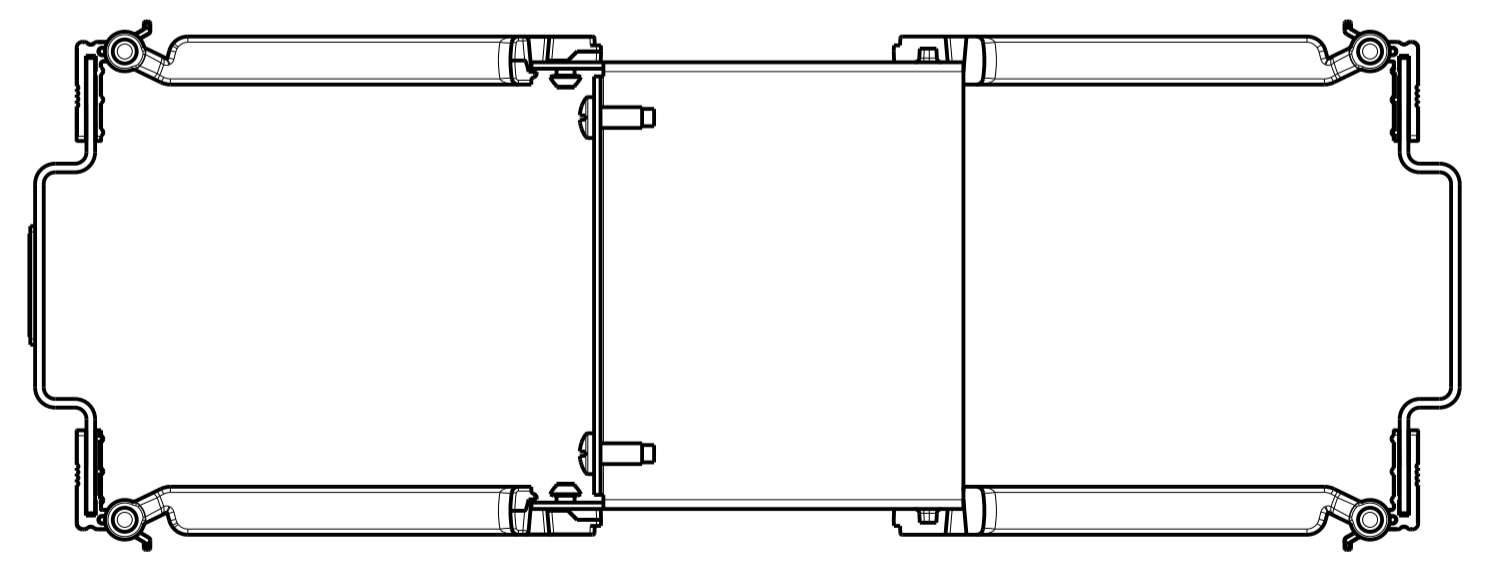
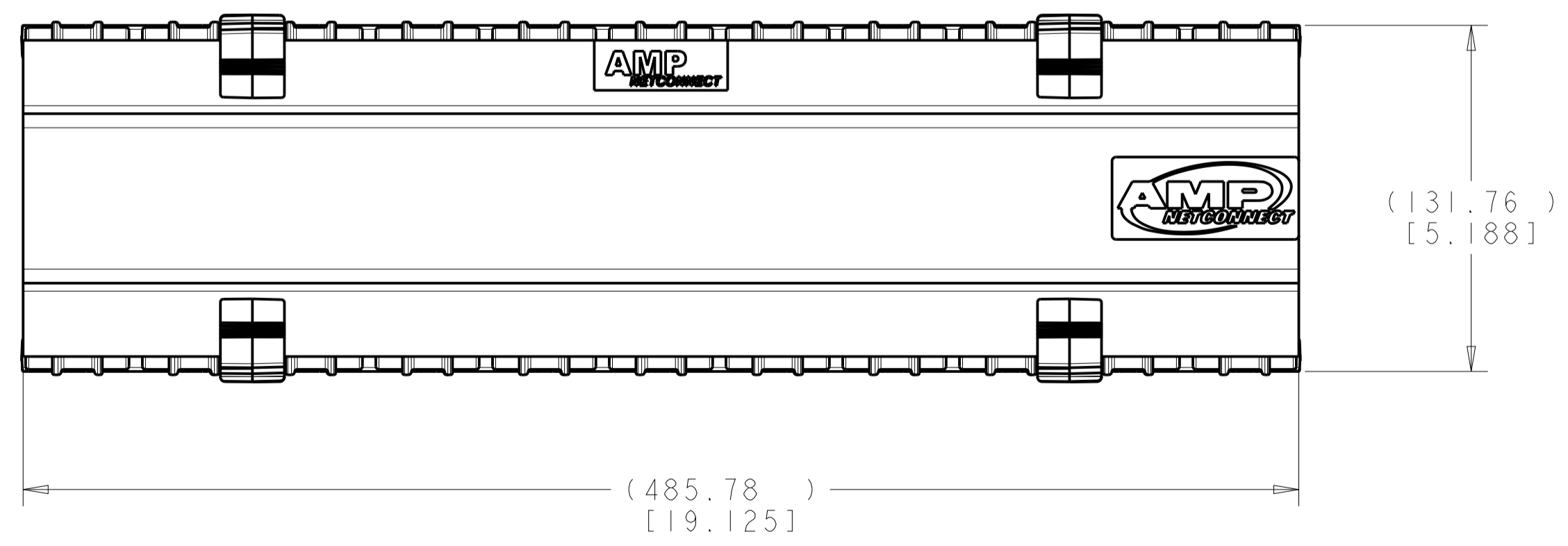
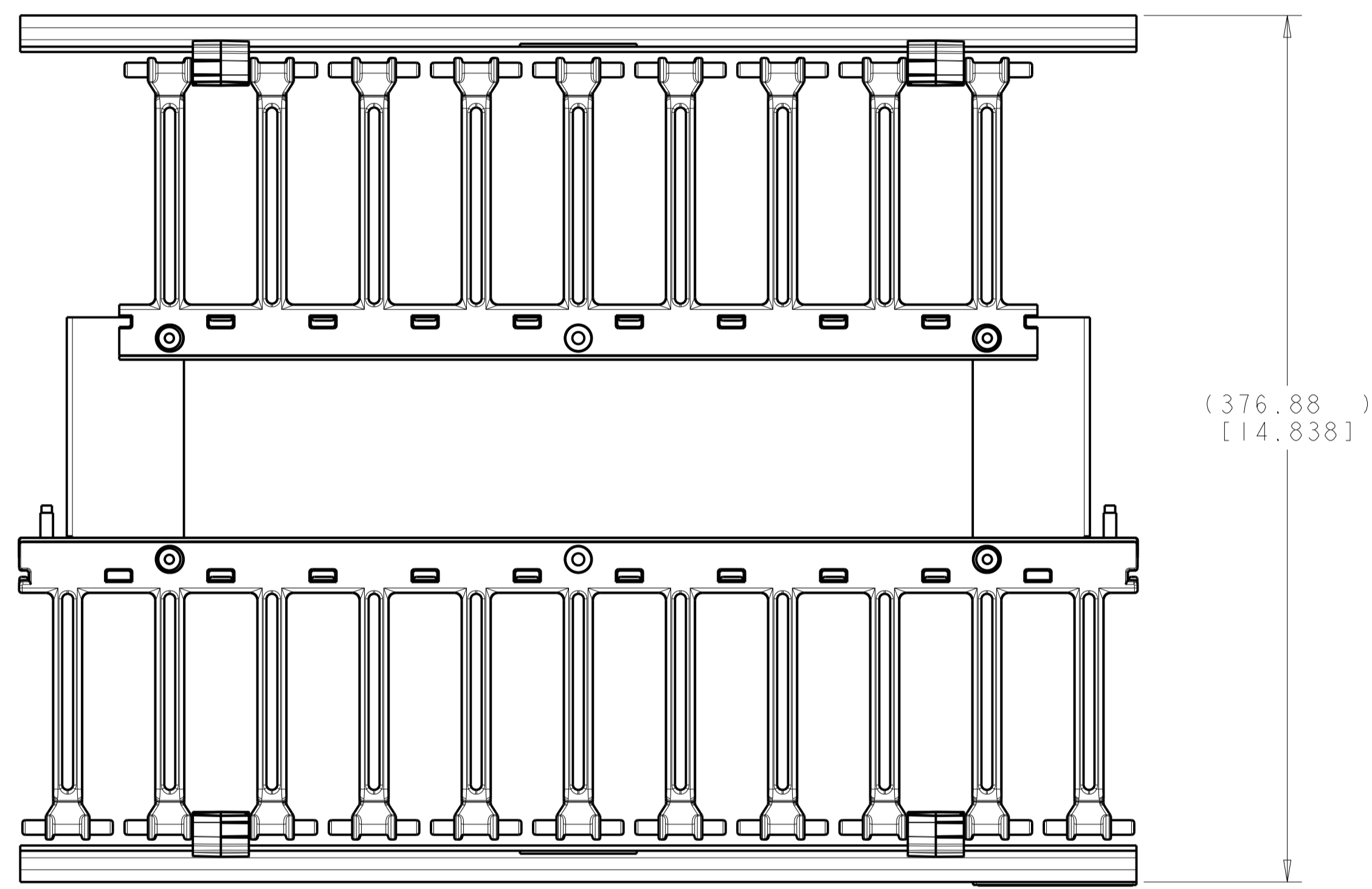
REVISIONS				
REV	LTN	DESCRIPTION	DATE	APPV
A		RLSD; NSD07-114	13DEC2007	GG SH
B		REV PER BNS_CD.BRAND	01FEB2017	GG DC



SCALE 2:5

⚠ MATERIAL:  
 FINGER SECTIONS - UL 94V-0 POLYCARBONATE, BLACK.  
 CABLE MANAGER COVERS - (2.29) [.090] 5052-H32 ALUMINUM.  
 SPACERS/BRACKETS - 14 GA. CARBON STEEL.

FINISH:  
 SPACERS, BRACKETS AND CABLE MANAGER COVERS -  
 POLYESTER POWDERCOATING, FLAT BLACK, 1F59126.



1933562-1  
 PART NUMBER

THIS DRAWING IS A CONTROLLED DOCUMENT.		DWN G. GARRETT 13DEC2007	<b>COMMSCOPE, INC.</b>	
DIMENSIONS: (MM) [INCHES]		CHK S. HERNDON 13DEC2007		
TOLERANCES UNLESS OTHERWISE SPECIFIED:		APPV S. HERNDON 13DEC2007	NAME HORIZONTAL 3U, DOUBLE SIDED	
0 PLC ±	1 PLC ±	PRODUCT SPEC	SIZE CAGE CODE DRAWING NO RESTRICTED TO	
2 PLC ±	3 PLC ±	APPLICATION SPEC	A1 C=1933562	
4 PLC ±	ANGLES ±	WEIGHT	SCALE 1:2 SHEET 1 OF 1 REV B	
MATERIAL	FINISH	CUSTOMER DRAWING		