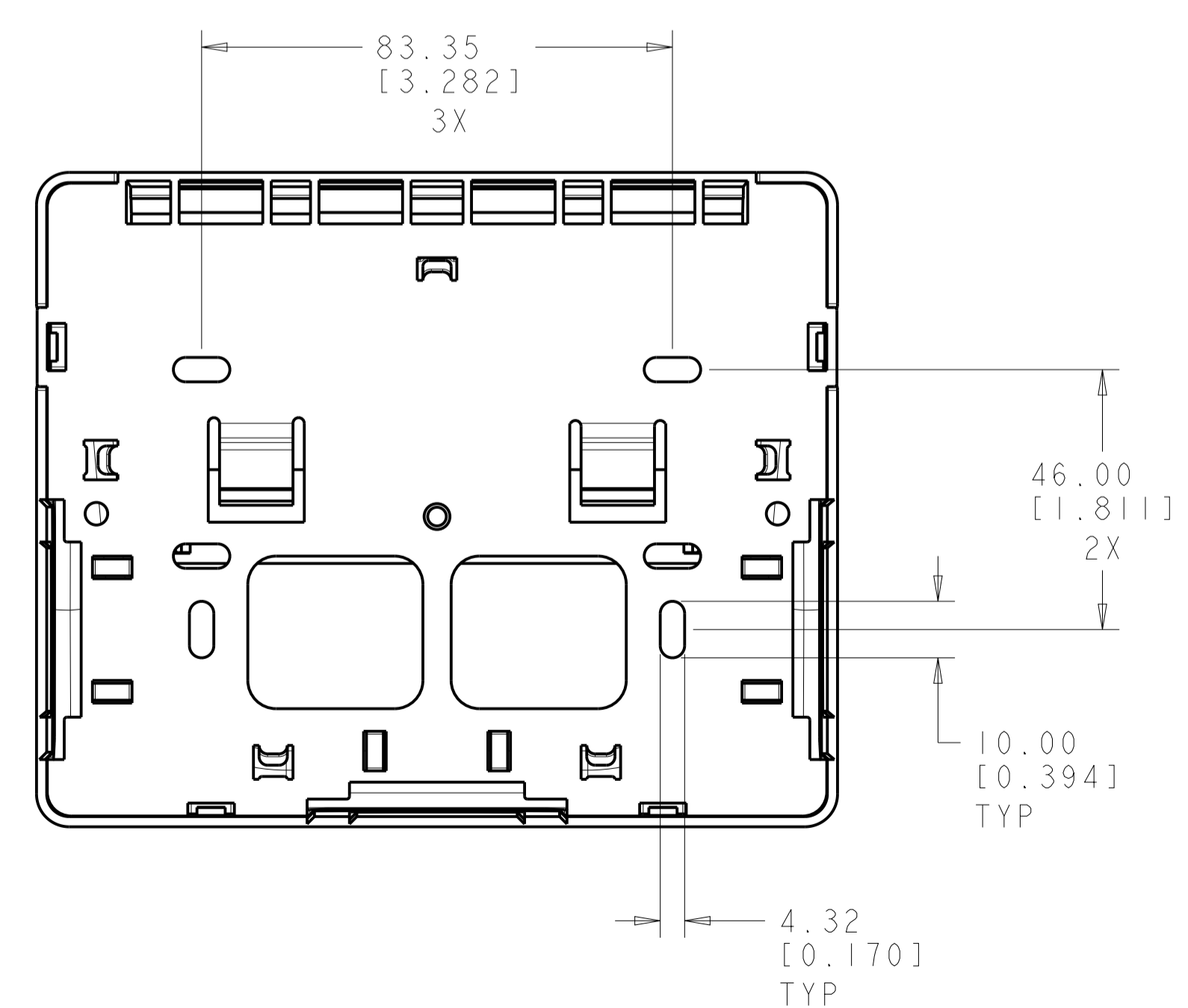
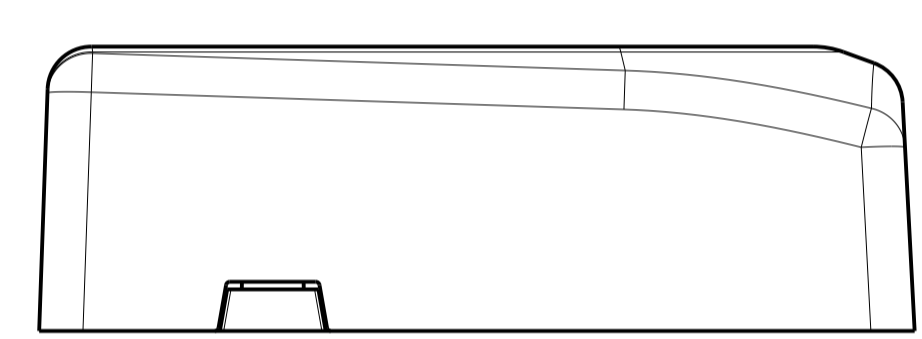
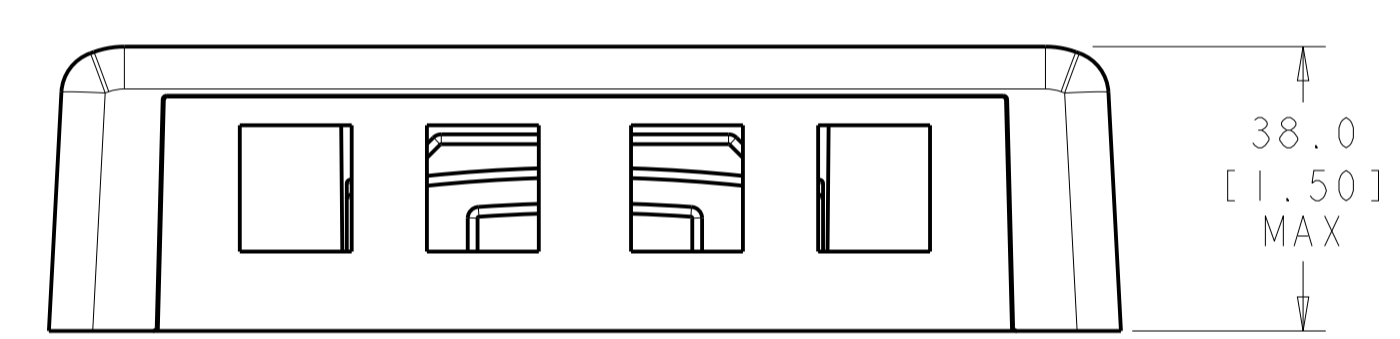
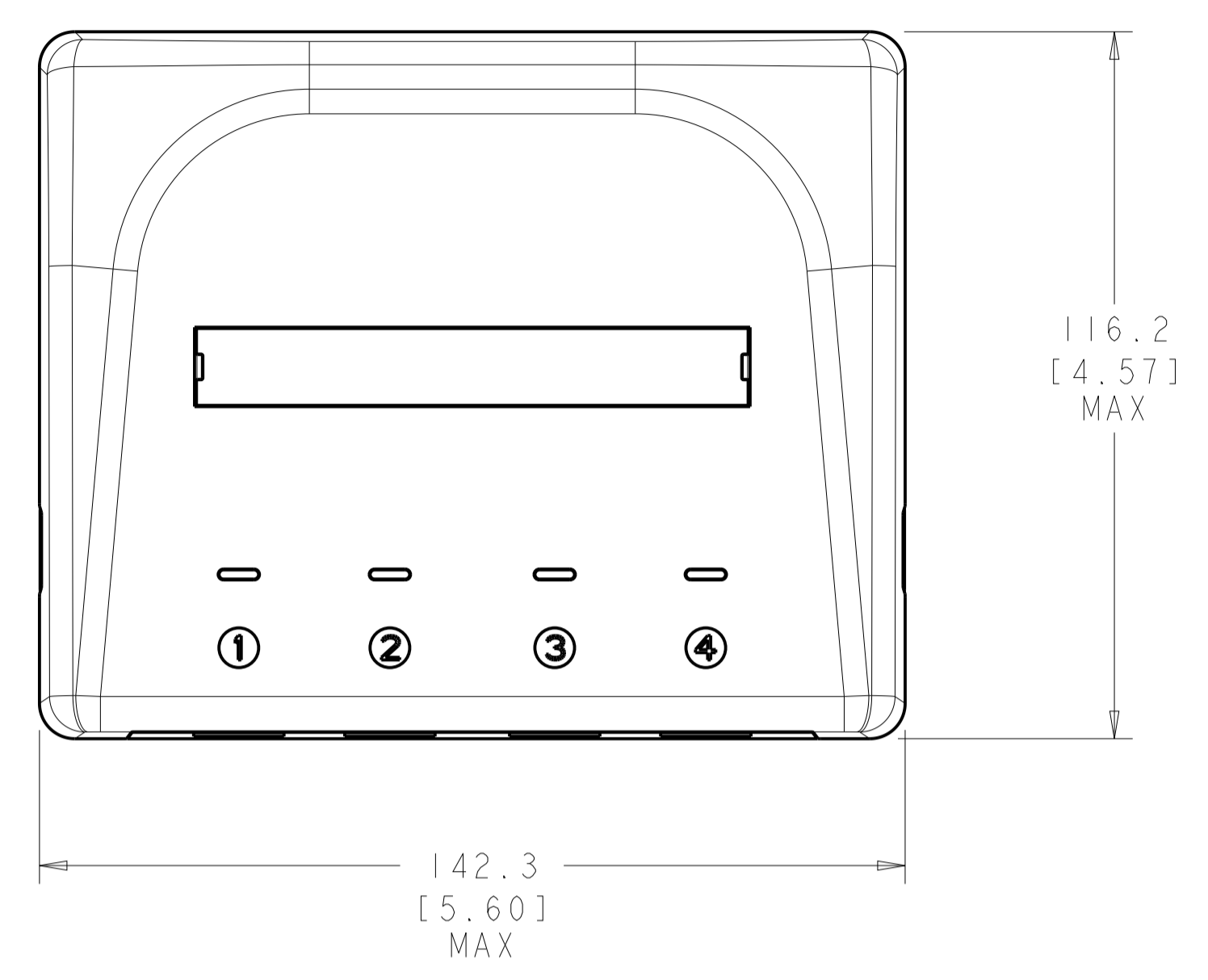
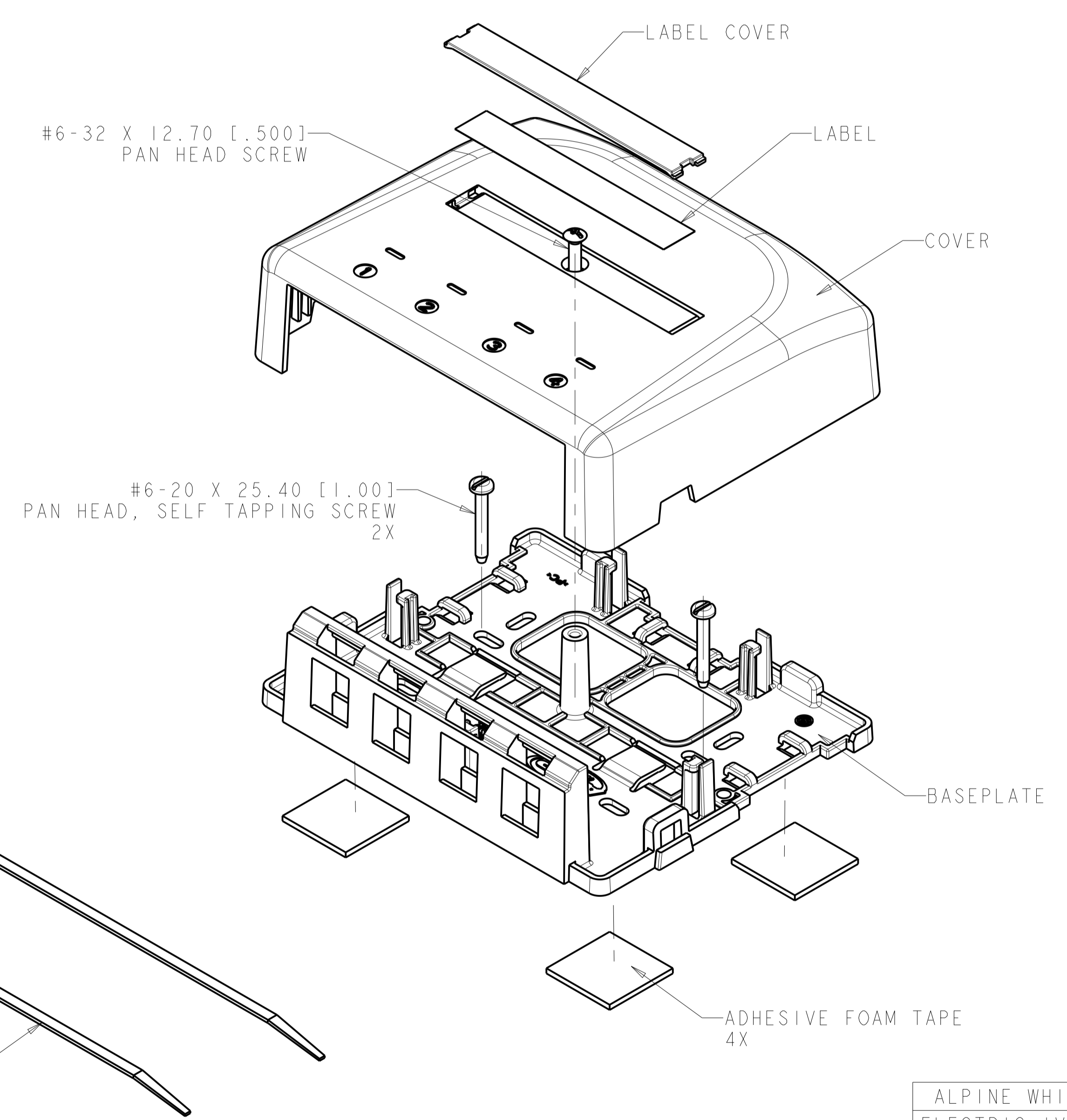


| REVISIONS |      |                  |            |        |
|-----------|------|------------------|------------|--------|
| REV       | LTN  | DESCRIPTION      | DATE       | APPROV |
| A         | RLSD | ECO-09-006765    | 16 MAR2009 | GG RA  |
| B         | REV  | ECO-10-012110    | 10 JUN2010 | GG RA  |
| C         | REV  | MCO-40026185MCO  | 09 NOV2015 | HG LS  |
| D         | REV  | PER BNS_CD_BRAND | 02FEB2017  | GG DC  |



⚠ MATERIAL: BASE & COVER - POLYCARBONATE MOLDING COMPOUND. SEE TABLE FOR COLOR.  
 LABEL COVERS - POLYCARBONATE MOLDING COMPOUND.  
 LABEL - WHITE INDEX PAPER.  
 SCREWS - ZINC PLATED CARBON STEEL.  
 FOAM TAPE - POLYETHYLENE  
 CABLE TIE - NYLON 6/6

- THIS KIT SHIPPED NOT ASSEMBLED.
- ACCEPTS ANY COMBINATION OF 110 CONNECT, SL-SERIES, AND AMP-TWIST MODULAR JACKS, MT-RJ OUTLET JACKS AND SL SERIES MULTI MEDIA INSERTS.
- BASE ACCEPTS TWO MAGNETS FOR OPTIONAL MOUNTING TO METAL SURFACE. MAGNETS (1933677-1) PURCHASED SEPARATELY.



|                |             |
|----------------|-------------|
| ALPINE WHITE   | I-1933671-3 |
| ELECTRIC IVORY | I-1933671-1 |
| NEMA GRAY      | 1933671-4   |
| BLACK          | 1933671-2   |
| LIGHT ALMOND   | 1933671-1   |
| COLOR          | PART NUMBER |

|  |       |                  |           |           |
|--|-------|------------------|-----------|-----------|
| THIS DRAWING IS A CONTROLLED DOCUMENT. |       | OWN              | J. MCNEAL | 02JUN2008 |
| DIMENSIONS: mm [INCHES]                |       | CHK              | S. TOBEY  | 02JUN2008 |
| TOLERANCES UNLESS OTHERWISE SPECIFIED: |       | APPROV           | S. TOBEY  | 02JUN2008 |
| 0 PLC                                  | ±     | PRODUCT SPEC     |           |           |
| 1 PLC                                  | ±.25  | APPLICATION SPEC |           |           |
| 2 PLC                                  | ±     | WEIGHT           |           |           |
| 3 PLC                                  | ±     | SCALE            |           |           |
| 4 PLC                                  | ±     | SHEET            |           |           |
| ANGLES                                 | ±0.2° | REV              |           |           |
| MATERIAL                               |       | Customer Drawing |           |           |
| FINISH                                 |       | Customer Drawing |           |           |

COMMSCOPE, INC.  
 KIT, 4 PORT SURFACE MOUNT MODULE  
 A1 C=1933671  
 SCALE 1:2 SHEET 1 OF 1 REV D