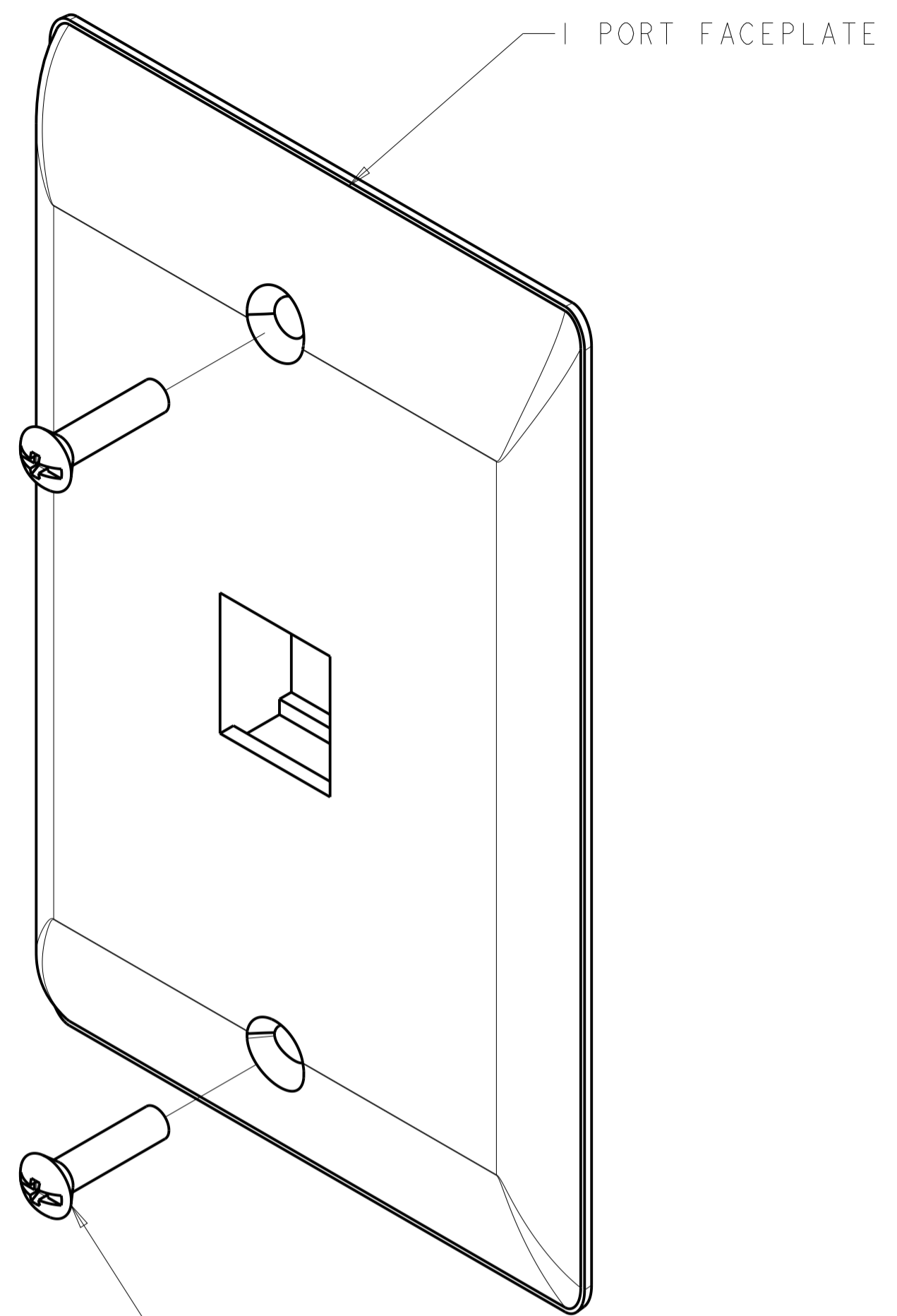
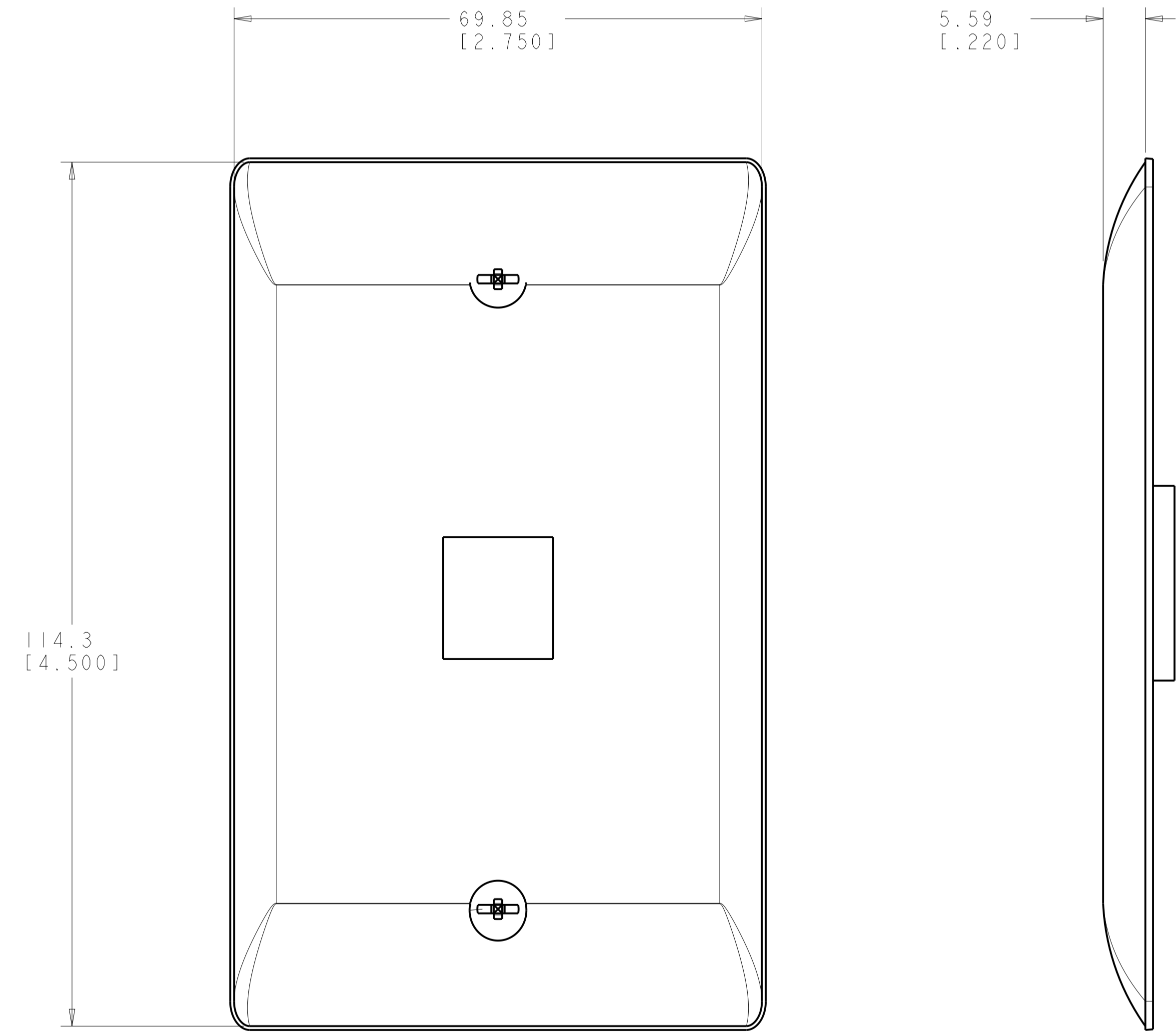


REVISIONS				
REV	LTN	DESCRIPTION	DATE	APVD
A		RLSD; ECO-10-002954	09 FEB2010	GG RA
B		REV; MCO-40026185MCO	09 NOV2015	HG LS
C		REV PER BNS_CD_BRAND	01FEB2017	GG DC



6-32X.88 OVAL HEAD SCREW
 QUANTITY 2

- ⚠ DIMENSIONS ARE NOMINAL UNLESS OTHERWISE SPECIFIED.
- ⚠ MATERIAL:
 FACEPLATE - POLYCARBONATE MOLDING COMPOUND.
 SEE TABLE FOR COLORS.
 SCREWS - ZINC PLATED CARBON STEEL.
- 3. THIS KIT SHIPPED NOT ASSEMBLED.



ALPINE WHITE	1-2111021-3
ELECTRIC IVORY	1-2111021-1
NEMA GRAY	2111021-4
BLACK	2111021-2
LIGHT ALMOND	2111021-1
COLOR	PART NUMBER

THIS DRAWING IS A CONTROLLED DOCUMENT.		DWN G. GARRETT 31MAR2009	COMMSCOPE, INC.	
DIMENSIONS: MM [INCHES]		CHK R. ASHBY 31MAR2009	KIT, FACEPLATE, RESIDENTIAL, SINGLE GANG, 1 PORT	
TOLERANCES UNLESS OTHERWISE SPECIFIED:		APVD R. ASHBY 31MAR2009	NAME	
0 PLC ±	1 PLC ±	PRODUCT SPEC	SIZE CAGE CODE DRAWING NO RESTRICTED TO	
2 PLC ±	3 PLC ±	APPLICATION SPEC	A1 C=2111021	
4 PLC ±	ANGLES ±	WEIGHT	SCALE 2:1 SHEET 1 OF 1 REV C	
MATERIAL	FINISH	Customer Drawing		