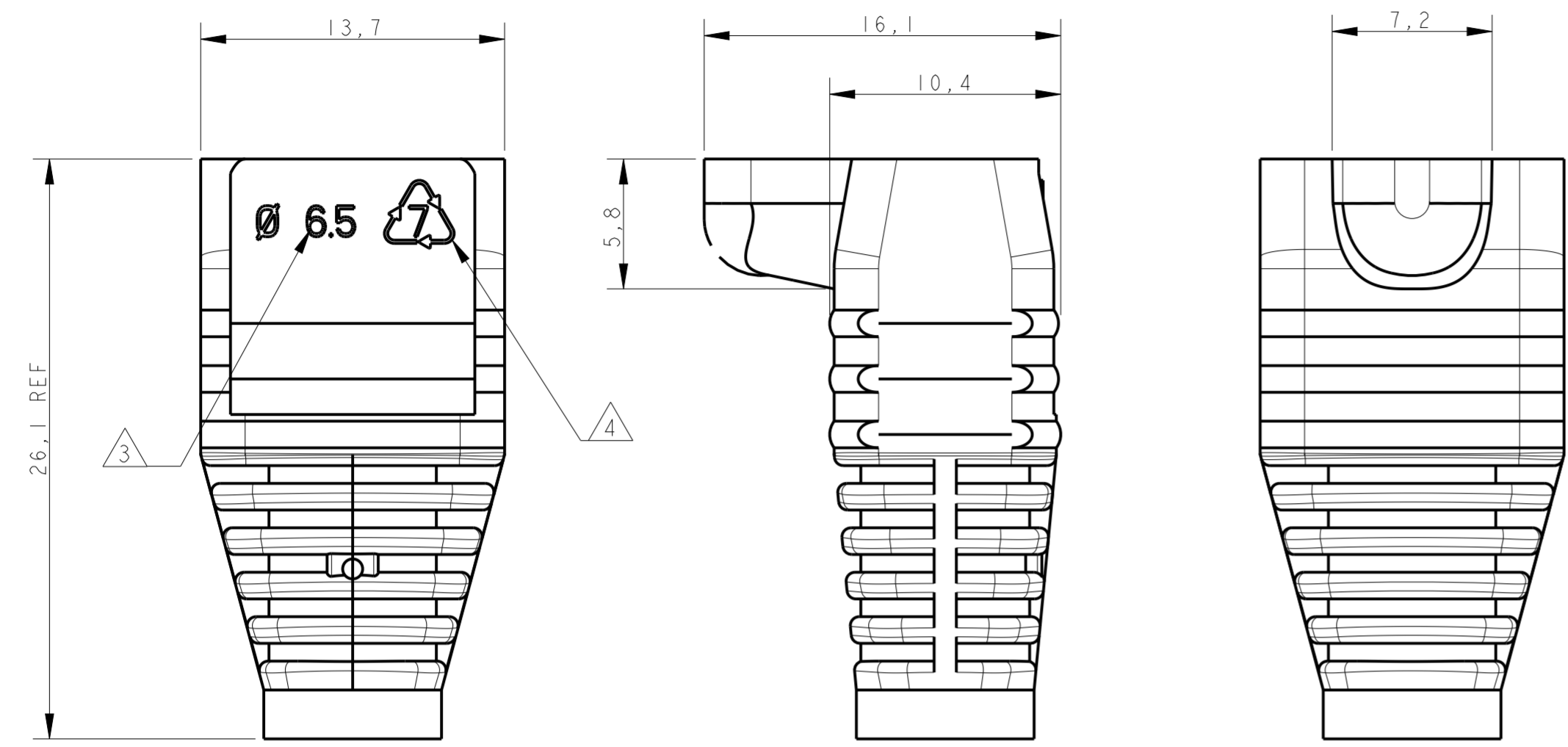


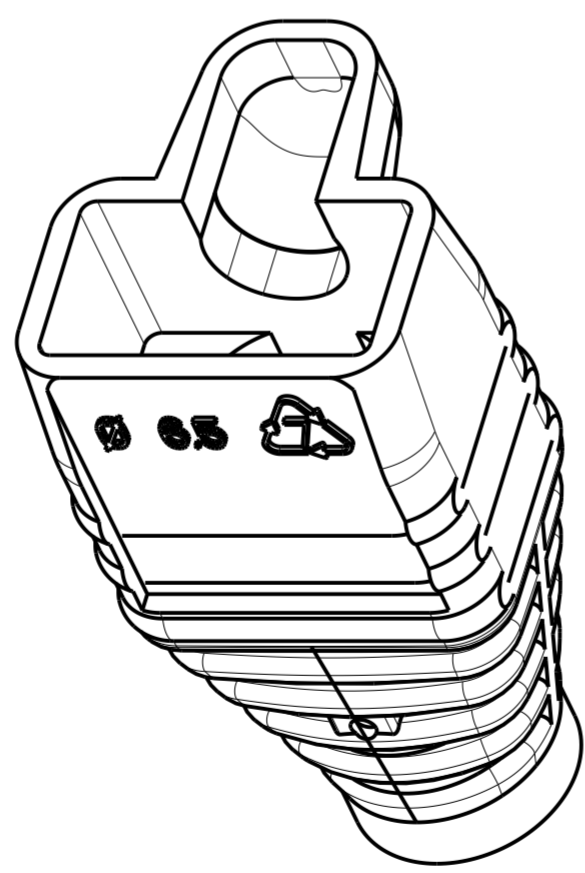
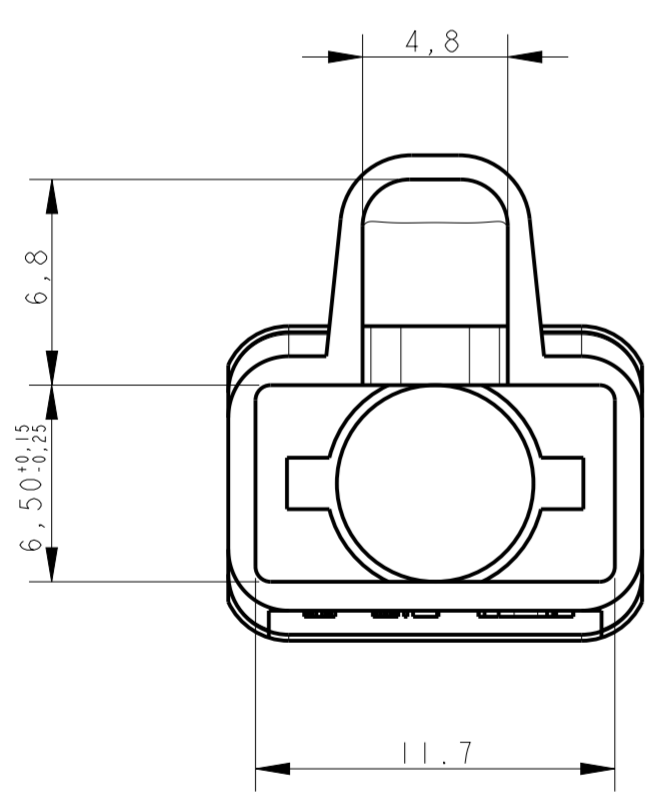
THIS DRAWING IS UNPUBLISHED. RELEASED FOR PUBLICATION  
 © 2016 COMMSCOPE, INC. CONFIDENTIAL NOTICE: THESE DRAWINGS AND SPECIFICATIONS ARE THE PROPRIETARY PROPERTY OF COMMSCOPE, INC. AND MAY BE USED ONLY FOR THE SPECIFIC PURPOSE AUTHORIZED IN WRITING BY COMMSCOPE, INC.

REVISIONS					
P	LTR	DESCRIPTION	DATE	DWN	APVD
	E	REV PER BNS_CD_BRAND	02FEB2017	GG	DC



- PACKAGING: SEE TABLE
- MAY BE USED WITH:
  - 336462
  - 336643
  - 1479184
  - 1479185
  - 1711346

3 MAXIMUM CABLE DIAMETER MARKING IN APPROX. AREA.  
 4 MATERIAL: TPE-S, UL LISTED, FLAME RATING UL 94-HB.



PACKAGING QUANTITY	STATUS	APPLICABLE CABLE RANGE	MAX CABLE DIAM	COLOR	PART NUMBER
100	ACTIVE	Ø 6.0 - Ø 6.5	Ø 6.5	VIOLET	9-336513-9
	ACTIVE			ORANGE	9-336513-8
	ACTIVE			BLACK	9-336513-7
	ACTIVE			YELLOW	9-336513-6
	ACTIVE			GREEN	9-336513-5
	ACTIVE			BLUE	9-336513-4
	ACTIVE			RED	9-336513-3
	ACTIVE			GREY	9-336513-2
	ACTIVE			WHITE	9-336513-1
	2400			ACTIVE	Ø 6.0 - Ø 6.5
ACTIVE		ORANGE	2-336513-8		
ACTIVE		BLACK	2-336513-7		
ACTIVE		YELLOW	2-336513-6		
ACTIVE		GREEN	2-336513-5		
ACTIVE		BLUE	2-336513-4		
ACTIVE		RED	2-336513-3		
ACTIVE		GREY	2-336513-2		
ACTIVE		WHITE	2-336513-1		
2400		OBSOLETE	Ø 6.0 - Ø 6.5	Ø 6.5	
	OBSOLETE	BROWN			1-336513-0
	SUPERSED BY 2-336513-9	VIOLET			336513-9
	SUPERSED BY 2-336513-8	ORANGE			336513-8
	SUPERSED BY 2-336513-7	BLACK			336513-7
	SUPERSED BY 2-336513-6	YELLOW			336513-6
	SUPERSED BY 2-336513-5	GREEN			336513-5
	SUPERSED BY 2-336513-4	BLUE			336513-4
	SUPERSED BY 2-336513-3	RED			336513-3
	SUPERSED BY 2-336513-2	GREY			336513-2
SUPERSED BY 2-336513-1	WHITE	336513-1			

THIS DRAWING IS A CONTROLLED DOCUMENT.

DWN: L. de Dios 15Apr08  
 CHK: A. Puell 15Apr08  
 APVD: J. Sanabra 15Apr08

**COMMSCOPE, INC.**  
 NAME: BOOT, 8 POSN, ROUND CABLE, MOD PLUG

PRODUCT SPEC: 108-19102  
 APPLICATION SPEC: 114-22008

SIZE: A2 CAGE CODE: C-336513 DRAWING NO: - RESTRICTED TO: -

MATERIAL: 4 FINISH: - WEIGHT: - SCALE: 4:1 SHEET 1 OF 1 REV E

CUSTOMER DRAWING