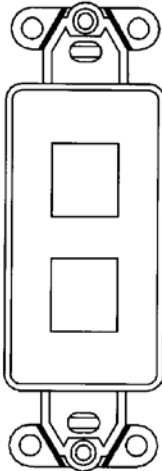
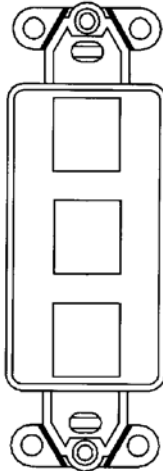




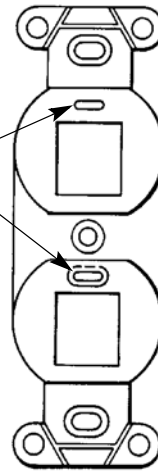
2-Port Decorator Strap



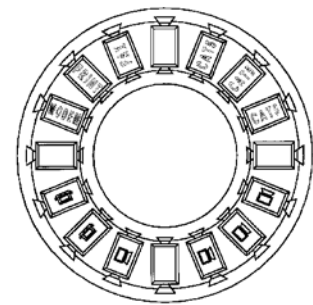
3-Port Decorator Strap



Duplex Strap



Icon Variety Wheel



Icon Slots

MOUNTING STRAP KIT

PART NO.†	DESCRIPTION	
1479784	2-Port Decorator Strap	The Mounting Strap Kits Will Accept any Combination of Unshielded, Shielded, and Grounded 110Connect Modular Jack; SL Series Toolless Jack and SL Series Inserts; 110 Multimedia Inserts; and M7-RJ Fiber Jack
1116616	3-Port Decorator Strap	
1116618	Duplex Strap	

†Dash Number Indicates Color: -1 Light Almond; -2 Black; -3 White; -4 NEMA Gray; and 1- -1 Electrical Ivory.

Figure 1

1. INTRODUCTION

This instruction sheet provides assembly procedures for the mounting strap kits listed in Figure 1.

Reasons for reissue of this instruction sheet are provided in Section 4, REVISION SUMMARY.

2. DESCRIPTION

Each mounting strap kit includes a mounting strap and two screws (6-32 X 0.88 in.). The duplex mounting strap kits include an icon variety wheel.

3. INSTALLATION PROCEDURES

Terminate the 110Connect Modular Jacks according to the instruction sheet packaged with the jacks.

NOTE The mounting straps accept the 110Connect jacks with the keystone size face. They will NOT accept the discrete (DEC™) version.



AMP NETCONNECT logo is a trademark of CommScope. For more information on NETCONNECT® products, visit our website at www.commscope.com

3.1. Installation For 2-Port Decorator Strap

Align movable latch with “UP” marking stamped onto inside of mounting strap. Insert terminated jack, at a slight angle, into back of mounting strap until latches snap into place. See Figure 2.

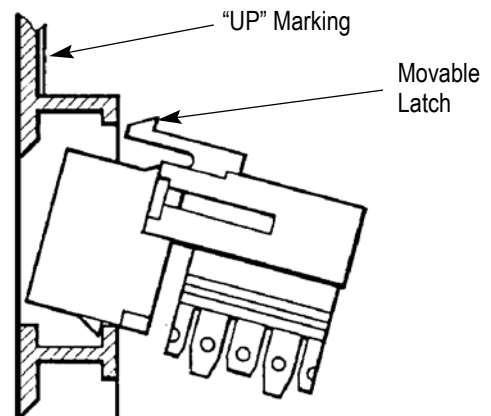


Figure 2

3.2. Installation For 3-Port Decorator Strap

Align movable latch so that the movable latch is rotated 90° clockwise, from the “UP” marking stamped onto inside of mounting strap. Insert terminated jack, at a slight angle, into back of mounting strap until latch snaps into place. See Figure 3.

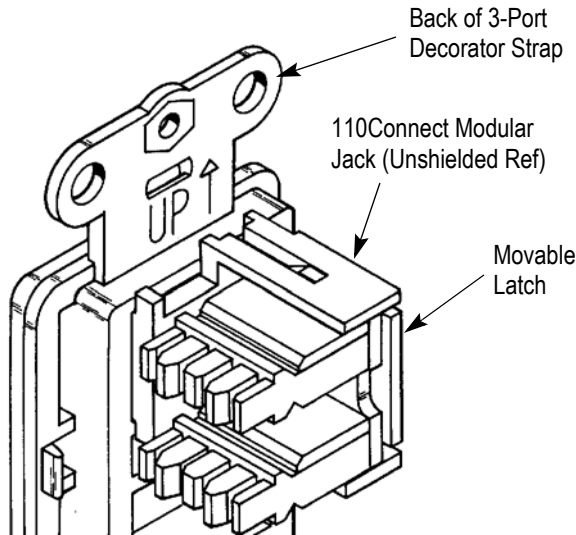


Figure 3

3.3. Icon Installation

Insert appropriate color-coded icon into icon slot. See Figure 4.

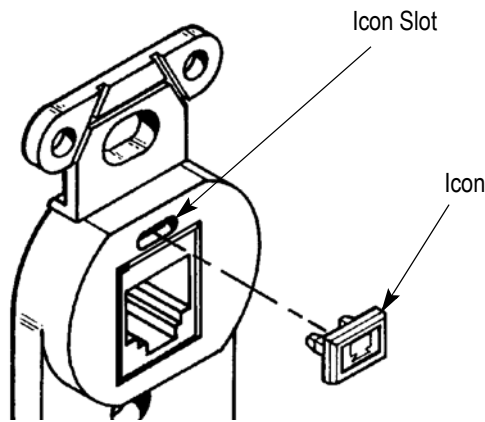


Figure 4



To remove a modular jack from a 3-port decorator strap, insert a screwdriver tip between decorator strap and the movable latch. Pry slightly to release the latch. Pull jack out of panel. To remove a modular jack from a 2-port decorator strap or duplex strap, insert screwdriver tip over movable latch and pry down slightly to release the latch. Pull jack out of panel.

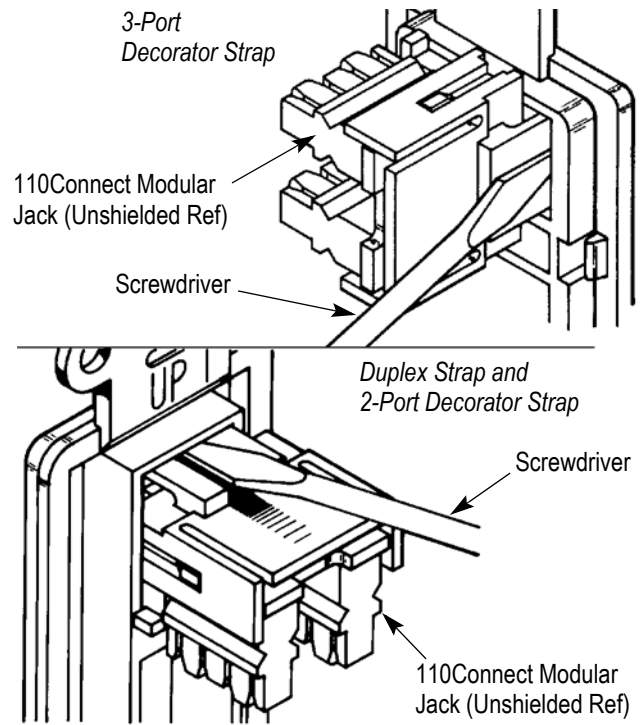
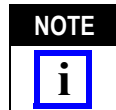


Figure 5

3.4. Wall Box Installation

Install strap into approved wall box and secure with screws provided, as shown in Figure 6.



An Underwriters Laboratories Inc. or Canadian Standards Association approved faceplate (not provided) must be used with the strap kit.

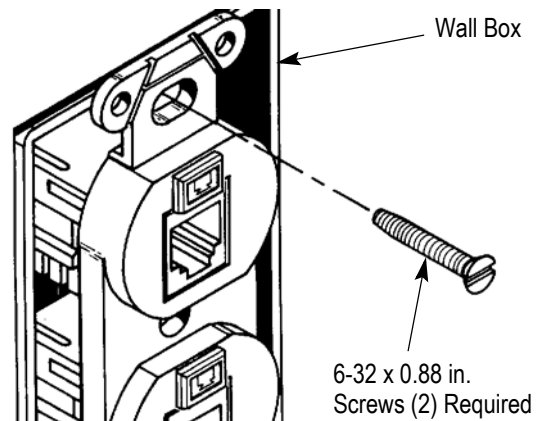


Figure 6

4. REVISION SUMMARY

Since the previous version of this document, the following changes were made:

- Updated document to corporate requirements
- Rebranded to CommScope