

45x45mm Multimedia Faceplate PN 183931-1

1. INTRODUCTION

This 45x45mm Multimedia Faceplate is designed to accept both optical fibre and unshielded twisted pair connectors. With the simple device of interchangeable adapters, it is possible to customize a multimedia faceplate using:

- two ST connectors, or
- one SC duplex connector, or
- one UTP modular jack connector type 110connect

2. DESCRIPTION

Each 45x45mm Multimedia Faceplate consists of a spring-loaded cover attached to the housing and an assembly of three adapters.

NOTE

Do not remove the cover from housing. Cover accepts labels and icons.

WARNING

Crimp cables before assembling the adapters.

3. INSTALLATION

For each connector type, follow assembly instructions shown in Figs. 1, 2 and 3.

Fig. 1: ST connectors

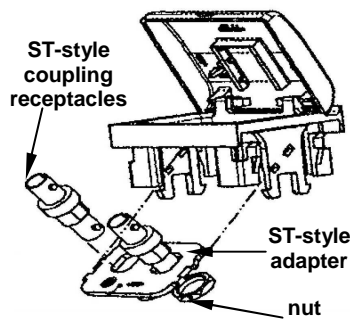


Fig. 2: SC duplex connector

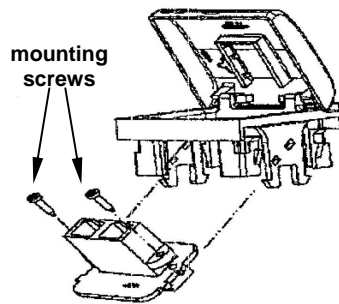
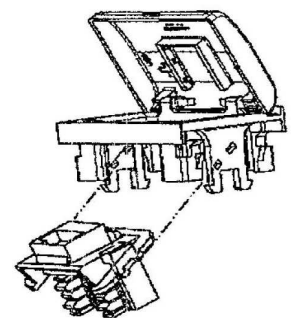


Fig.3: UTP modular jack



Suggested CommScope components:

Style	Part Number	Alignment sleeve
ST simplex	501381-1	Polymer
ST simplex	502750-1	Ceramic
ST duplex	504662-1	Metal
ST duplex	503273-5	Ceramic
ST duplex	504640-1	Metal
ST duplex	1-502776-1	Ceramic
ST/SC duplex	5504663-1	Metal
ST/SC duplex	5503137-5	Ceramic

