

## OTE2 Series, Optical Terminal Enclosure, 16-port full-size connector, 1x8 splitter, gray, wall mount

- Optical Terminal Enclosures incorporate hardened connector technology that is designed to withstand the rugged outside plant environment
- Offers a unique solution for splicing, termination and pass-through cable applications in optical drop cable deployments
- Hardened adapters are factory-terminated and environmentally sealed to ensure rapid plug-and-play drop cable installations
- The universal cable termination system guarantees easy, fast and reliable cable fixation and manipulations

### Product Classification

<b>Regional Availability</b>	EMEA
<b>Product Type</b>	Access terminal, with splitter
<b>Product Series</b>	OTE

### General Specifications

<b>Application</b>	Accepts fiber drop cables, 7 mm diameter   Accepts fiber feeder cables, 10-16 mm diameter   For holding up to 5 24-way splice trays   Offers up to 16 hardened adapter ports   Offers up to 4x4 standard cable ports
<b>Cable, quantity</b>	0
<b>Distribution Type</b>	1 x 8 splitter
<b>Enclosure Color</b>	Gray
<b>Mounting</b>	Pole   Wall
<b>Port Type</b>	Hardened full-size SC/APC
<b>Port, quantity</b>	16
<b>Splice Tray Included, quantity</b>	4
<b>Splice Tray Type Included</b>	24-way, heat shrink
<b>Splitter, quantity</b>	1
<b>Stub Type</b>	No tail

### Dimensions

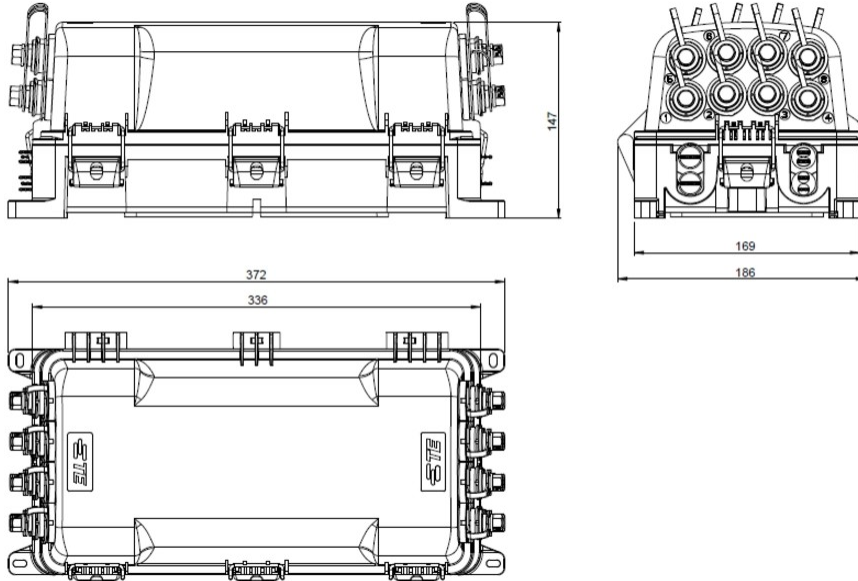
<b>Height</b>	147 mm   5.787 in
<b>Width</b>	372 mm   14.646 in

# 760245964 | OTE2-16IH-18-S24-4

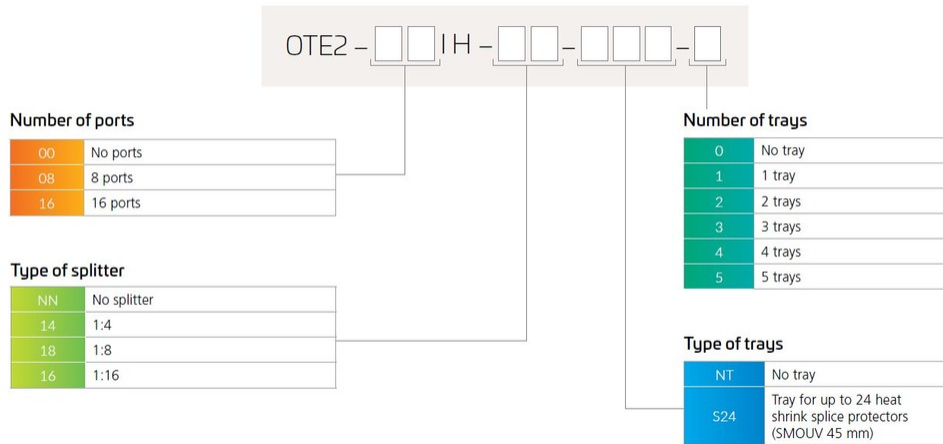
**Depth**

186 mm | 7.323 in

## Dimension Drawing



## Ordering Tree



## Material Specifications

**Enclosure Material Type**

Glass filled polypropylene (GF-PP)

## Optical Specifications

**Directivity, minimum**

60 dB

# 760245964 | OTE2-16IH-18-S24-4

<b>Wavelength Range</b>	1260–1635 nm
<b>Insertion Loss, Splitter, maximum</b>	13.7 dB
<b>Insertion Loss, Splitter, typical</b>	13.1 dB
<b>Insertion Loss, Terminal Connector, maximum</b>	0.4 dB
<b>Insertion Loss, Terminal Connector, typical</b>	0.16 dB
<b>Return Loss, Connector, minimum</b>	65 dB
<b>Return Loss, Splitter, minimum</b>	55 dB

## Environmental Specifications

<b>Operating Temperature</b>	-40 °C to +65 °C (-40 °F to +149 °F)
<b>Relative Humidity</b>	5%–100%, condensing
<b>Environmental Space</b>	Above ground   Below ground   Buried
<b>Qualification Standards</b>	IEC 60529, IP65
<b>UV Resistance</b>	UV stabilized

## Packaging and Weights

<b>Included</b>	Cable fixation kit (5)   Cable seal kit (4)   Enclosure (1)   Optical splitter (1)   Splice cassette (4)   Wall fixation screws (4)
<b>Packaging quantity</b>	1
<b>Packaging Type</b>	Box   Carton

## Regulatory Compliance/Certifications

<b>Agency</b>	<b>Classification</b>
CHINA-ROHS	Above maximum concentration value
ISO 9001:2015	Designed, manufactured and/or distributed under this quality management system
REACH-SVHC	Compliant as per SVHC revision on <a href="http://www.commscope.com/ProductCompliance">www.commscope.com/ProductCompliance</a>
ROHS	Compliant/Exempted

