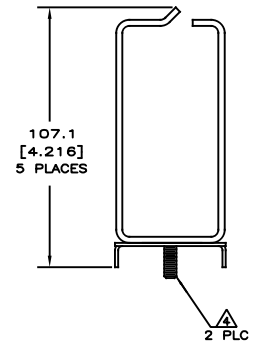
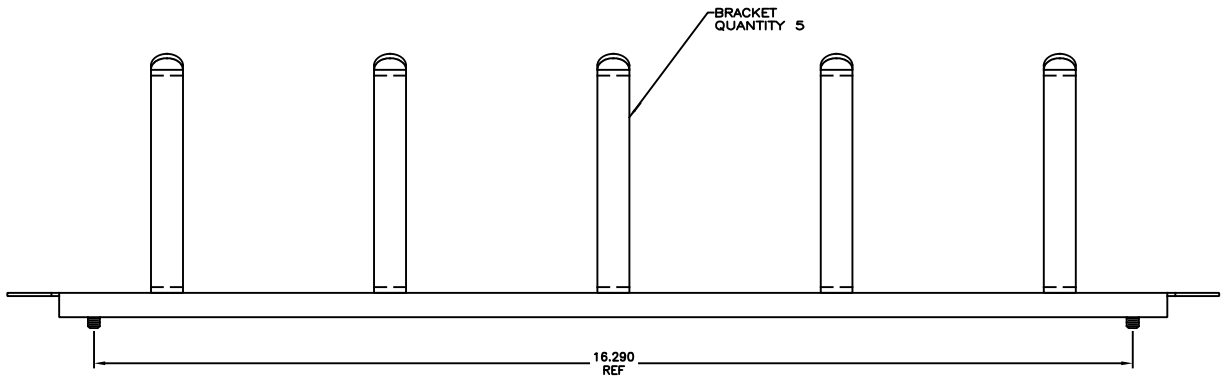
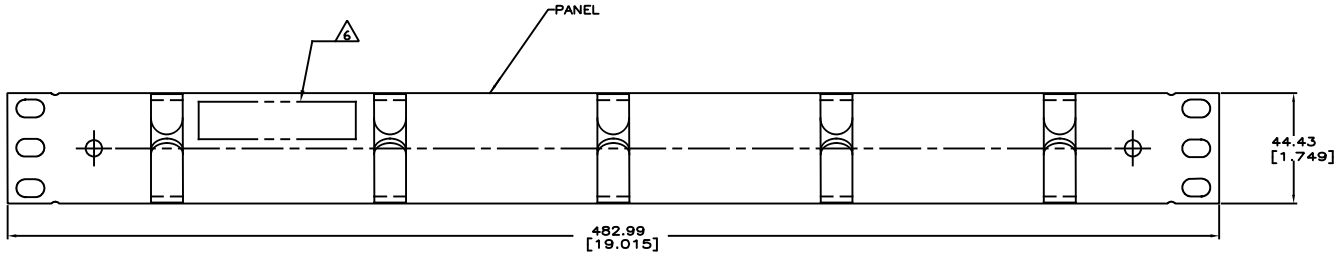


THIS DRAWING IS UNCLASSIFIED
 RELEASED FOR PUBLICATION
 COMMSCOPE, INC. CONFIDENTIAL

REVISIONS			
REV	DATE	DESCRIPTION	BY
H	REV. ECH 800017281		GG AS

- △ MATERIAL: PANEL AND BRACKETS - CARBON STEEL, POWDER COAT BLACK.
- 2. FOUR BLACK 12-24 X 12.7[.50] LONG CARBON STEEL CROSS RECESSED PAN HEAD SCREWS AND FOUR BLACK 10-32 X 12.7[.50] LONG CARBON STEEL CROSS RECESSED SCREWS FOR MOUNTING OF PANEL ARE SHIPPED LOOSE. NOT SHOWN ON DRAWING.
- △ 3 DIMENSIONS ARE MAXIMUM UNLESS OTHERWISE SPECIFIED.
- △ 4 STUDS CAN BE USED TO INSTALL CABLE SUPPORT BAR, PN 558301-1, NOT SUPPLIED WITH THIS KIT.
- 5. NOT FOR USE WITH HINGED BRACKET KITS.
- △ 6 COMMSCOPE LABEL TO BE AFFIXED TO REAR PANEL SURFACE APPROXIMATELY AS SHOWN.



558329-1
PART NO.

THIS DRAWING IS A CONTROLLED DOCUMENT.		REV. T. WOOTEN 1-25-04	COMMSCOPE, INC.	
DRAWING NO. 0000000000		DESIGNER C. WHITT 3-3-04	PANEL KIT, 1.75 CABLE MANAGEMENT	
DATE	DESCRIPTION	REV.	DATE	DESCRIPTION
04/07/09	00779	C	04/07/09	558329
CUSTOMER DRAWING		SCALE 1:1 SHEET 1 OF 1		