

Mounting Kit, For Metro Cell Antennas

MC-MNT-SIDE Mounting Kit

Bulletin 628382 • Revision C • Dec 2015 • Page 1 of 6

CommScope Infrastructure Academy offers installation training.

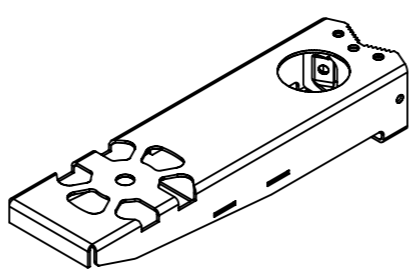
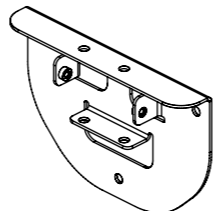
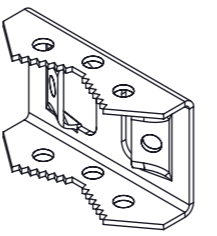
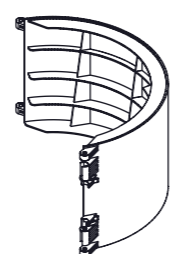
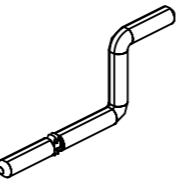
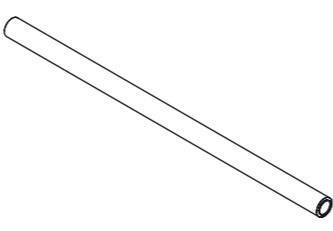
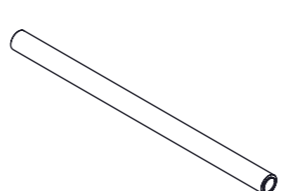
GENERAL INFORMATION

- Offset pole mounting option
Fits round members 3.4" to 7.7" (86 to 195 mm) pole diameter.
- Wall mounting option

PRE-INSTALLATION INSTRUCTIONS

- Examine antenna and kit to ensure that all parts are enclosed and that there is no physical damage.
- Verify that the frequency range shown on the label on the bottom of the antenna matches the frequency range of the station equipment.

PARTS LIST

Item	Description	Qty	Image
1	Side Mount Bracket	1	
2	Wall Mount Adapter	1	
3	Pipe Clamp Bracket	2	
4	MC Shroud Cover, Short	2	
5	Pivot Pin	5	
6	M12 X 245 Threaded Stud	3	
7	M12 X 215 Threaded Stud	5	

Item	Description	Qty	Image
8	M12 Flat Washer	12	
9	M12 Hex Nut	24	
10	M24 X 75 Hex Head Bolt	1	
11	M24 Flat Washer	3	
12	M24 Hex Nut	2	
13	M10 Flat Washer	3	
14	M10 Lock Washer	3	
15	M10 X 30 Hex Head Bolt	3	
16	Lanyard	2	
17	Cable tie	2	
18	Gasket with tape	3	

NOTICE

The installation, maintenance, or removal of an antenna requires qualified, experienced personnel. Commscope installation instructions are written for such installation personnel. Antenna systems should be inspected once a year by qualified personnel to verify proper installation, maintenance, and condition of equipment.

Commscope disclaims any liability or responsibility for the results of improper or unsafe installation practices.



Do not install near power lines. Power lines, telephone lines, and guy wires look the same. Assume any wire or line can electrocute you.



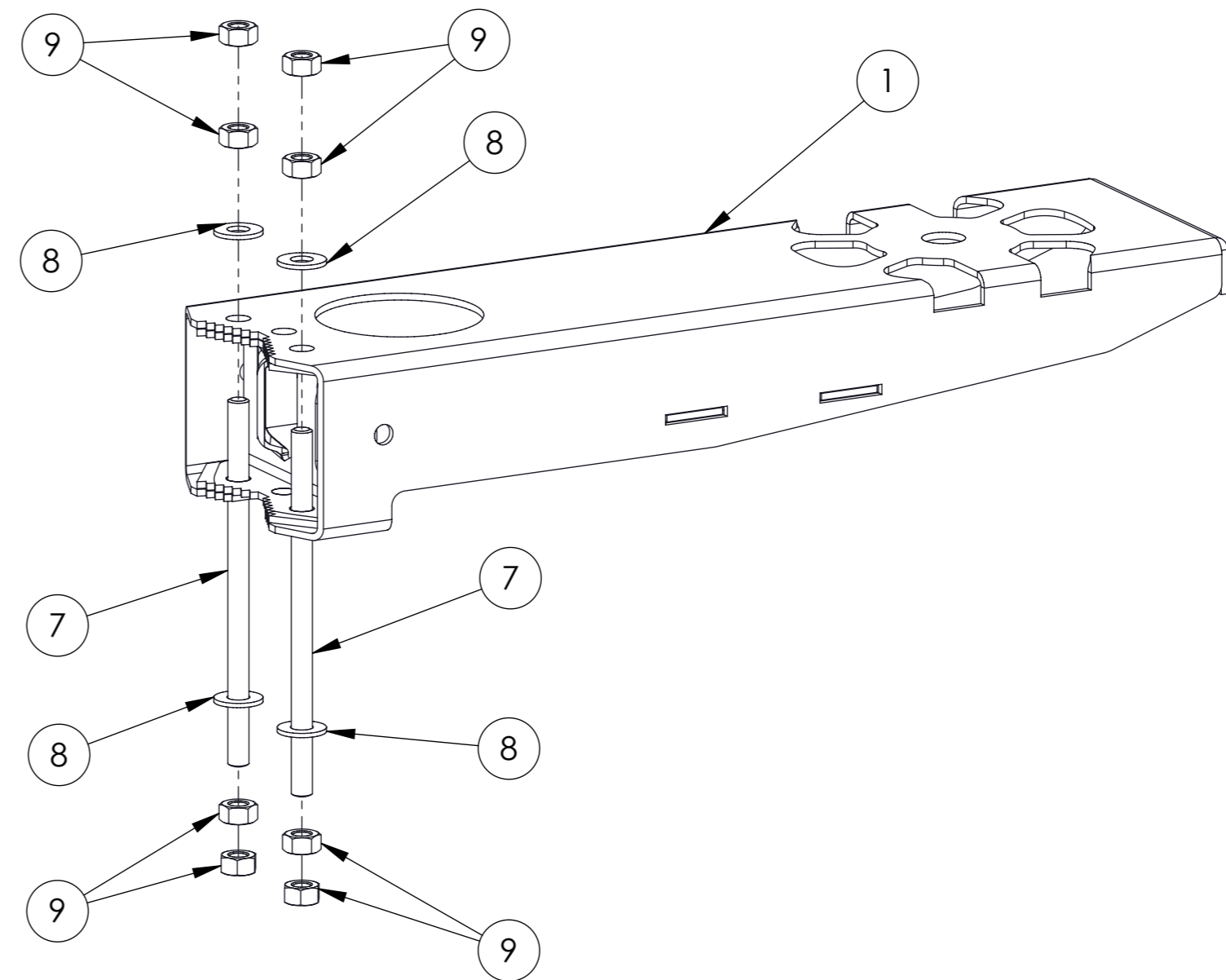
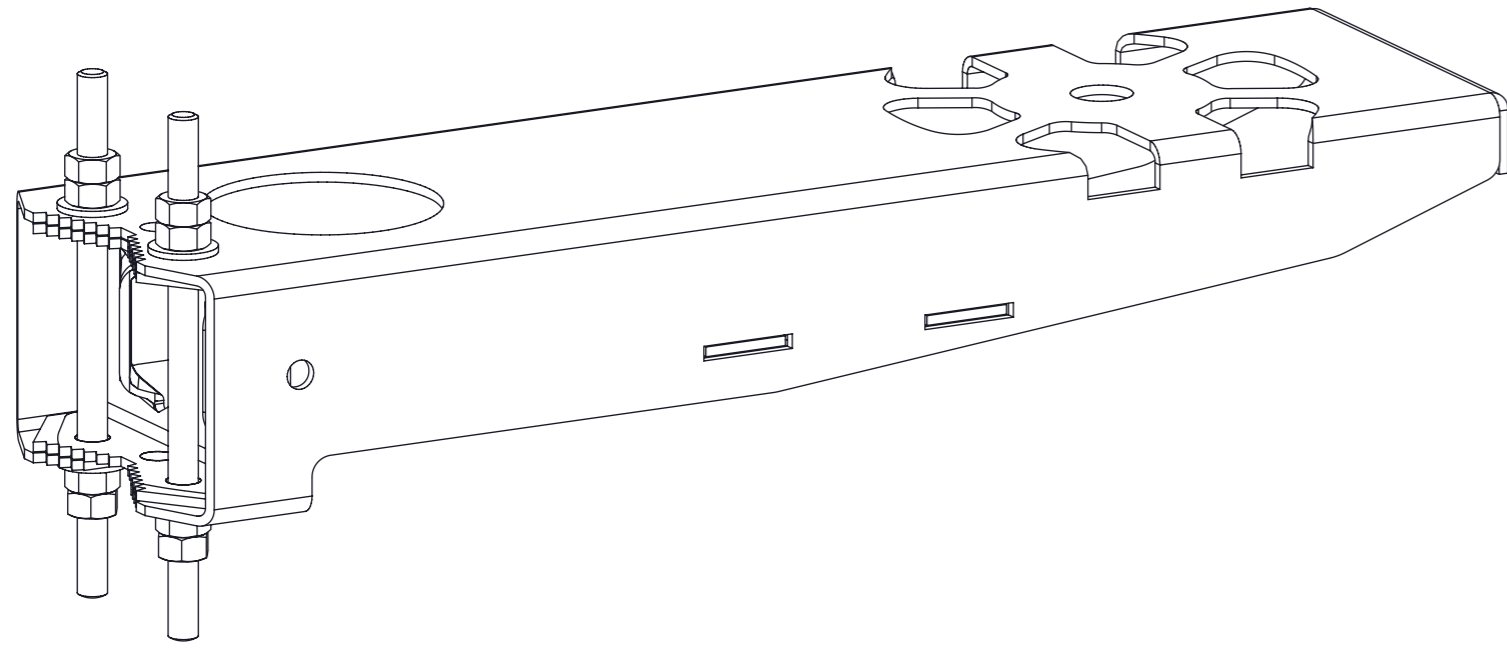
Do not install on a wet or windy day or when lightning or thunder is in the area. Do not use metal ladder.



Wear shoes with rubber soles and heels. Wear protective clothing, including a long-sleeved shirt and rubber gloves.

Offset Pole Mounting Option

ATTENTION: Tighten M12 Nuts.

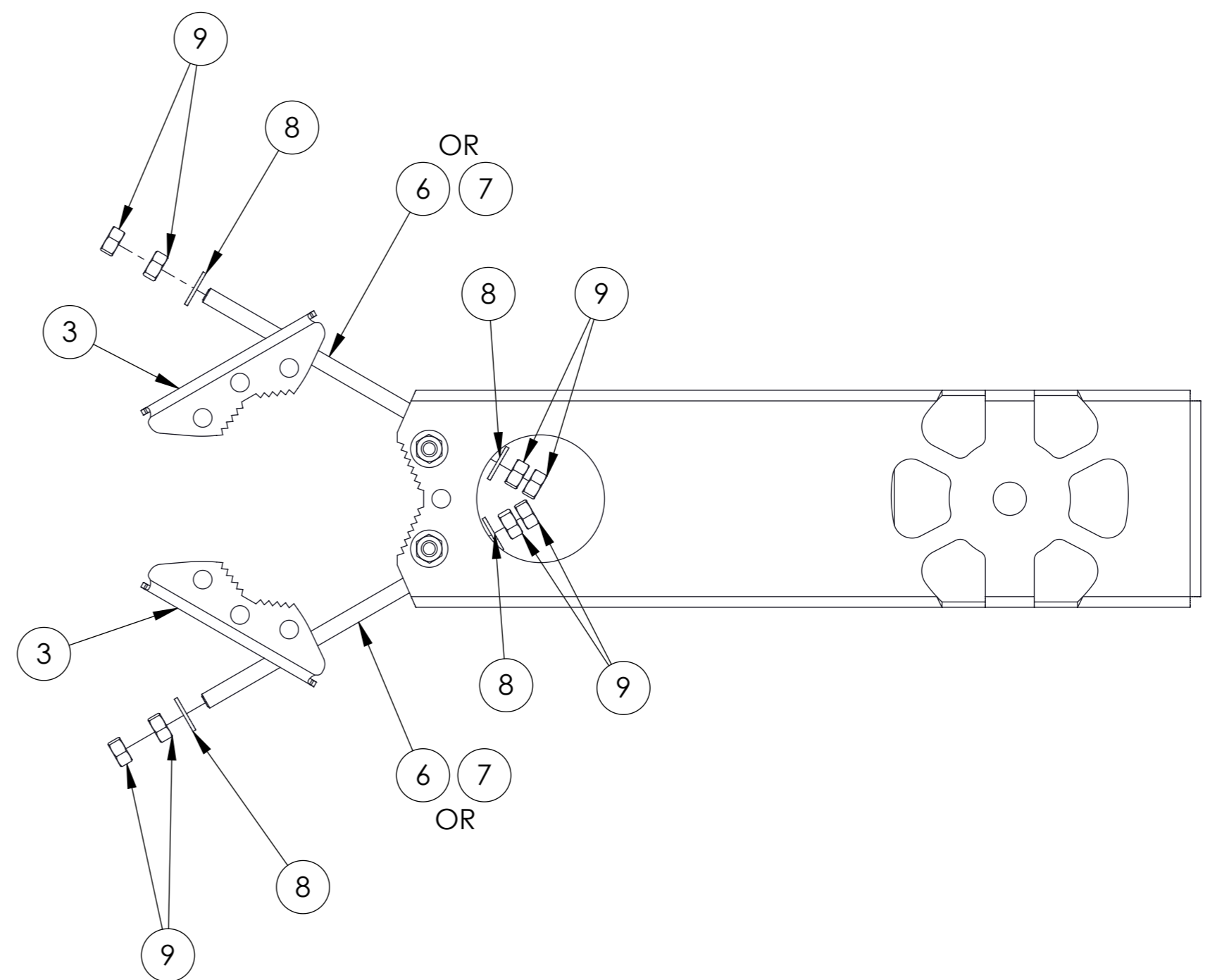
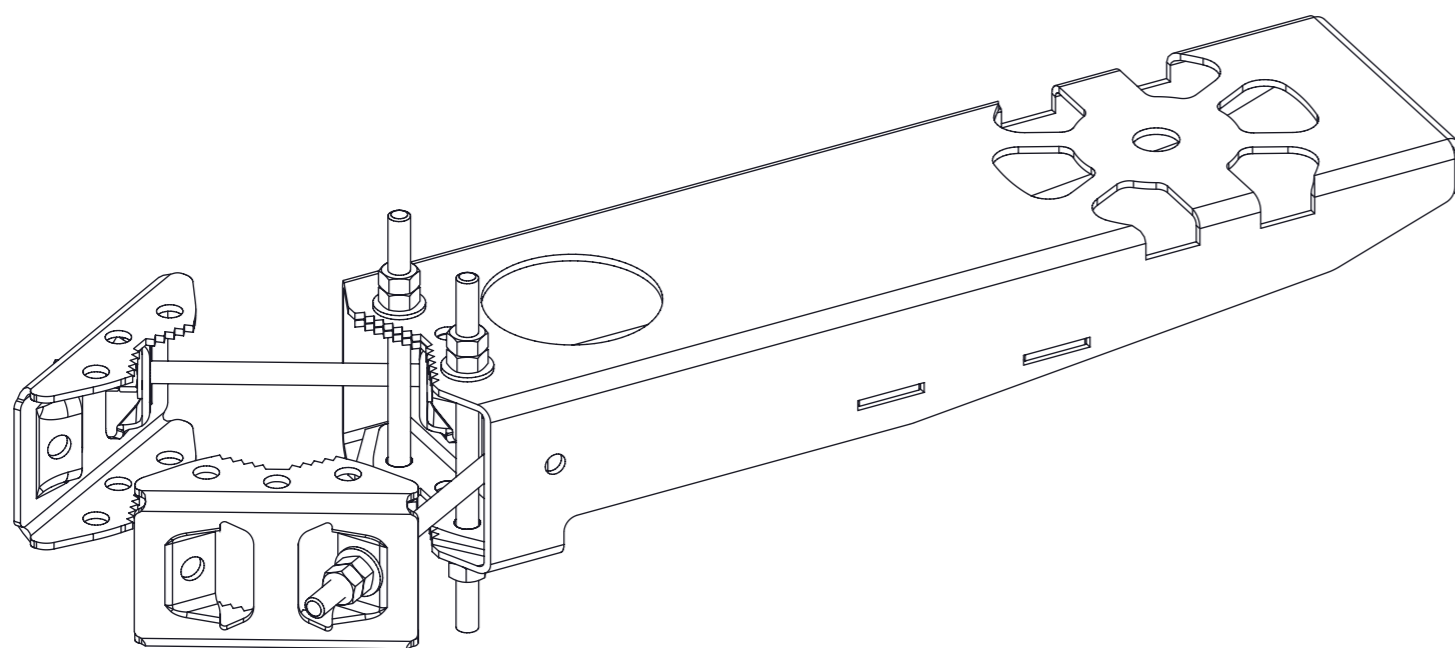


MAXIMUM TORQUE VALUES	
M12	58 N.m (43ft lbs)

MC-MNT-SIDE

Offset Pole Mounting Option

ATTENTION: Measure pole diameter to choose proper studs length prior to assembly.

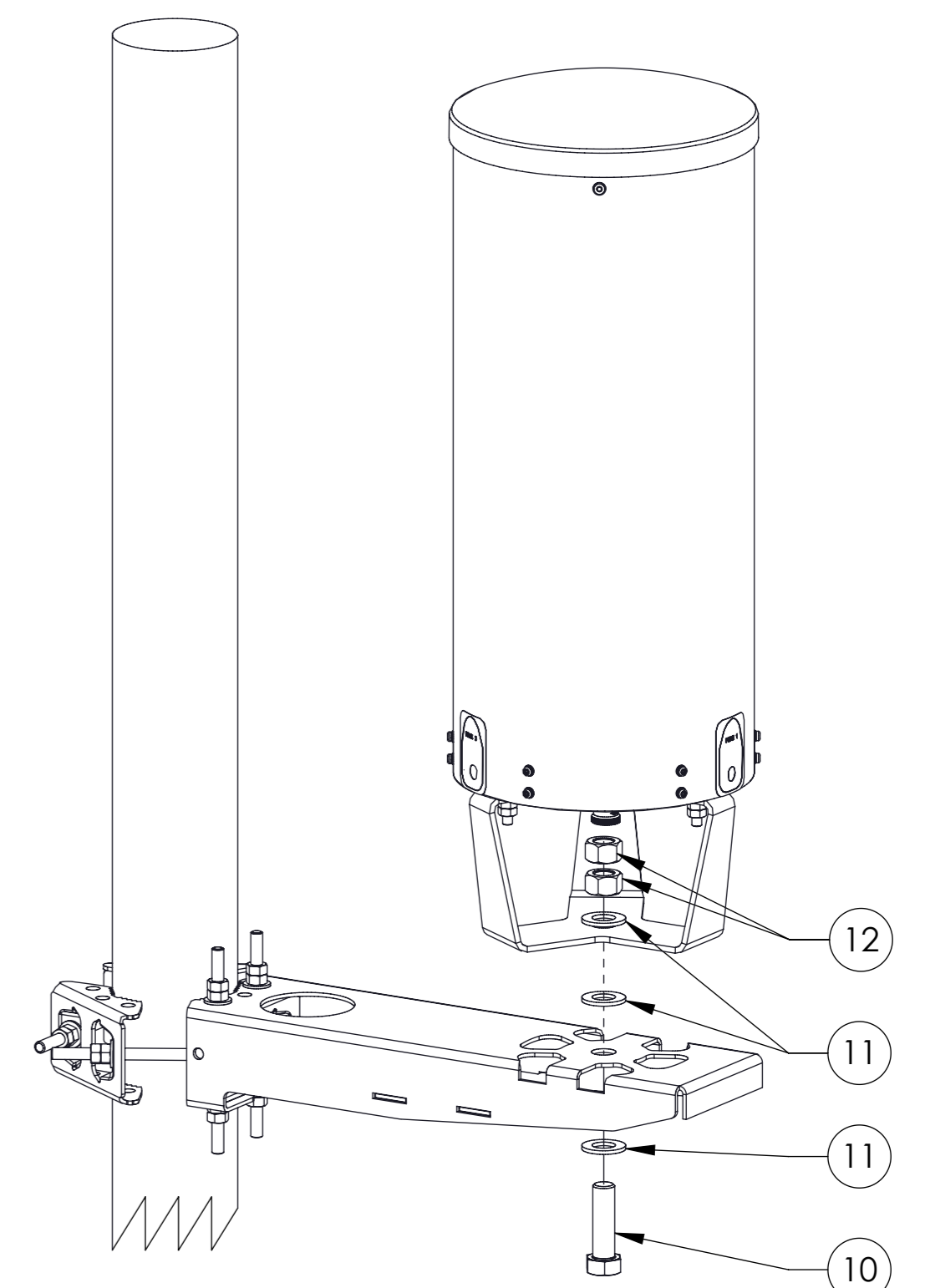
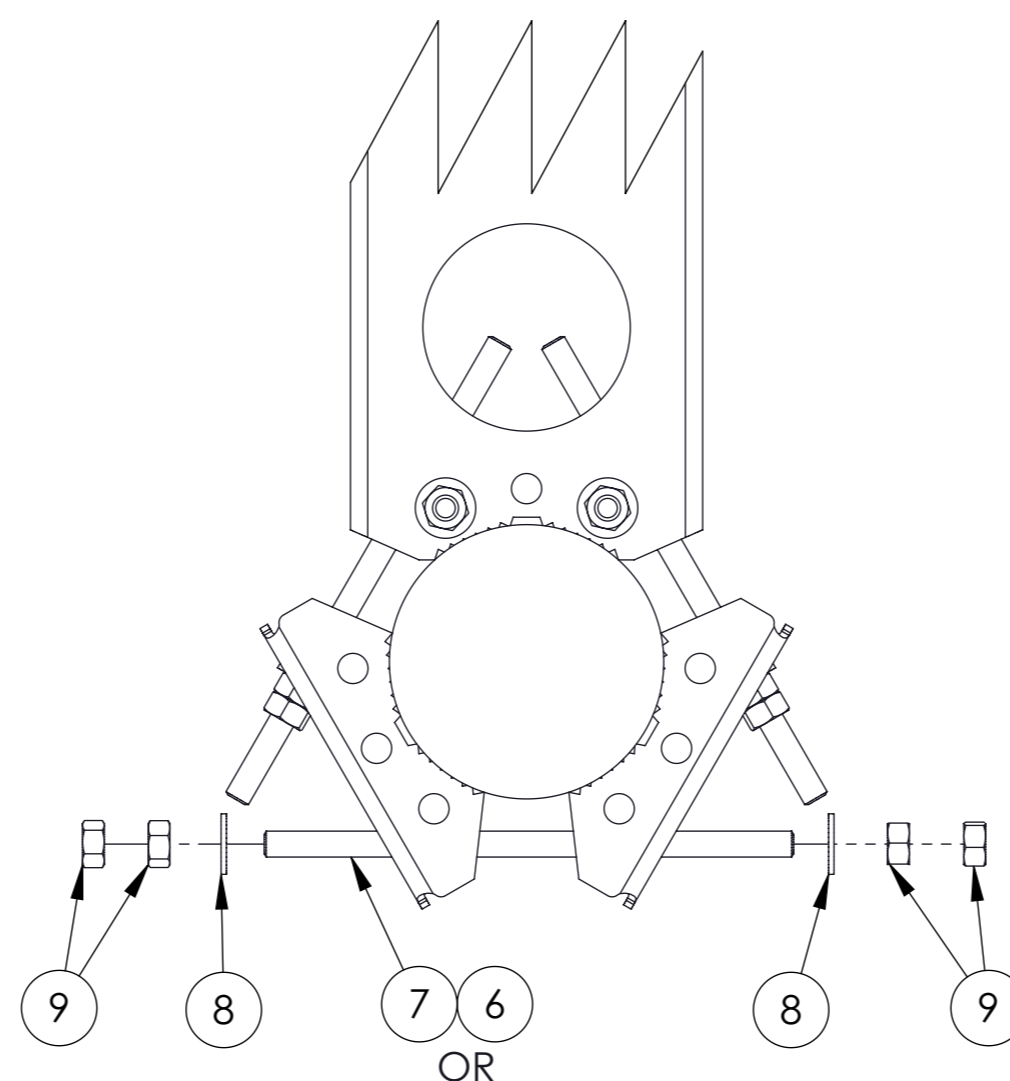
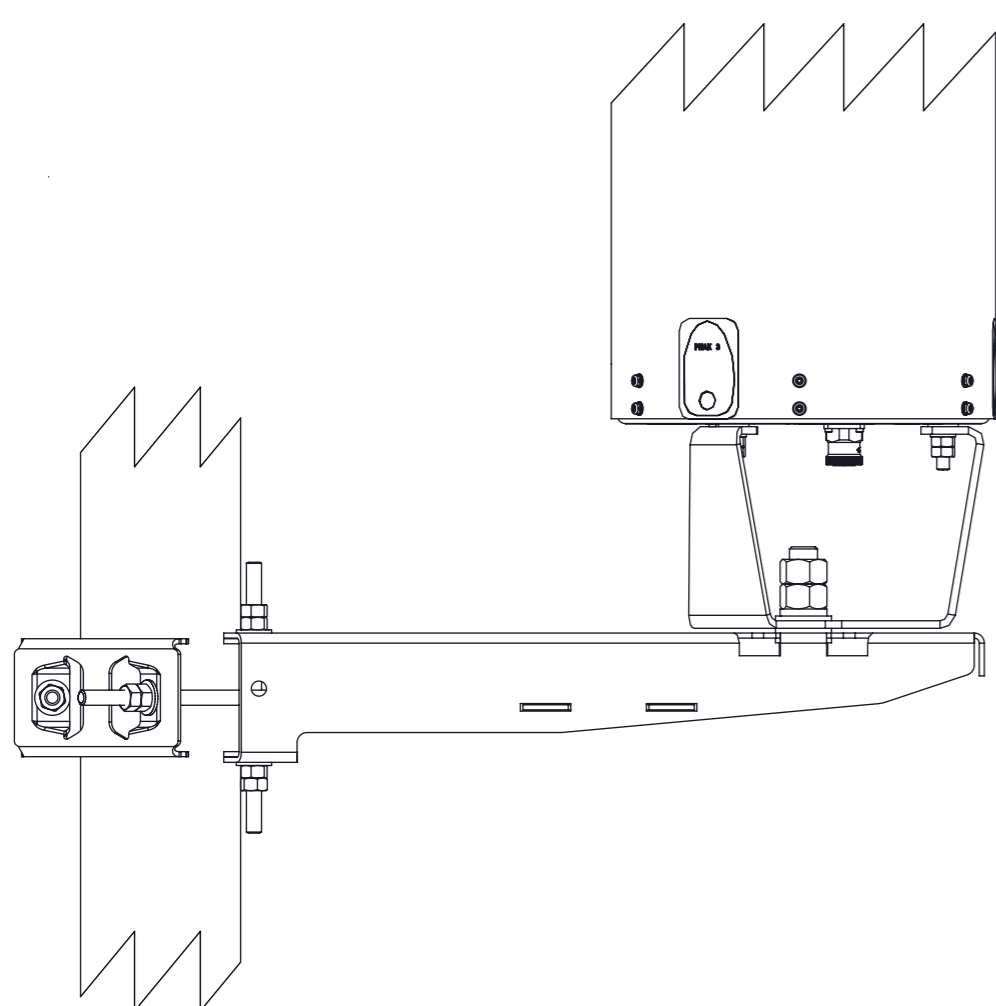


Pole Diameter	Stud Length
86 mm ~ 168 mm	215 mm (item 7)
168 mm ~ 195 mm	245 mm (item 6)

MC-MNT-SIDE

Offset Pole Mounting Option

ATTENTION: Tighten M12 fasteners.

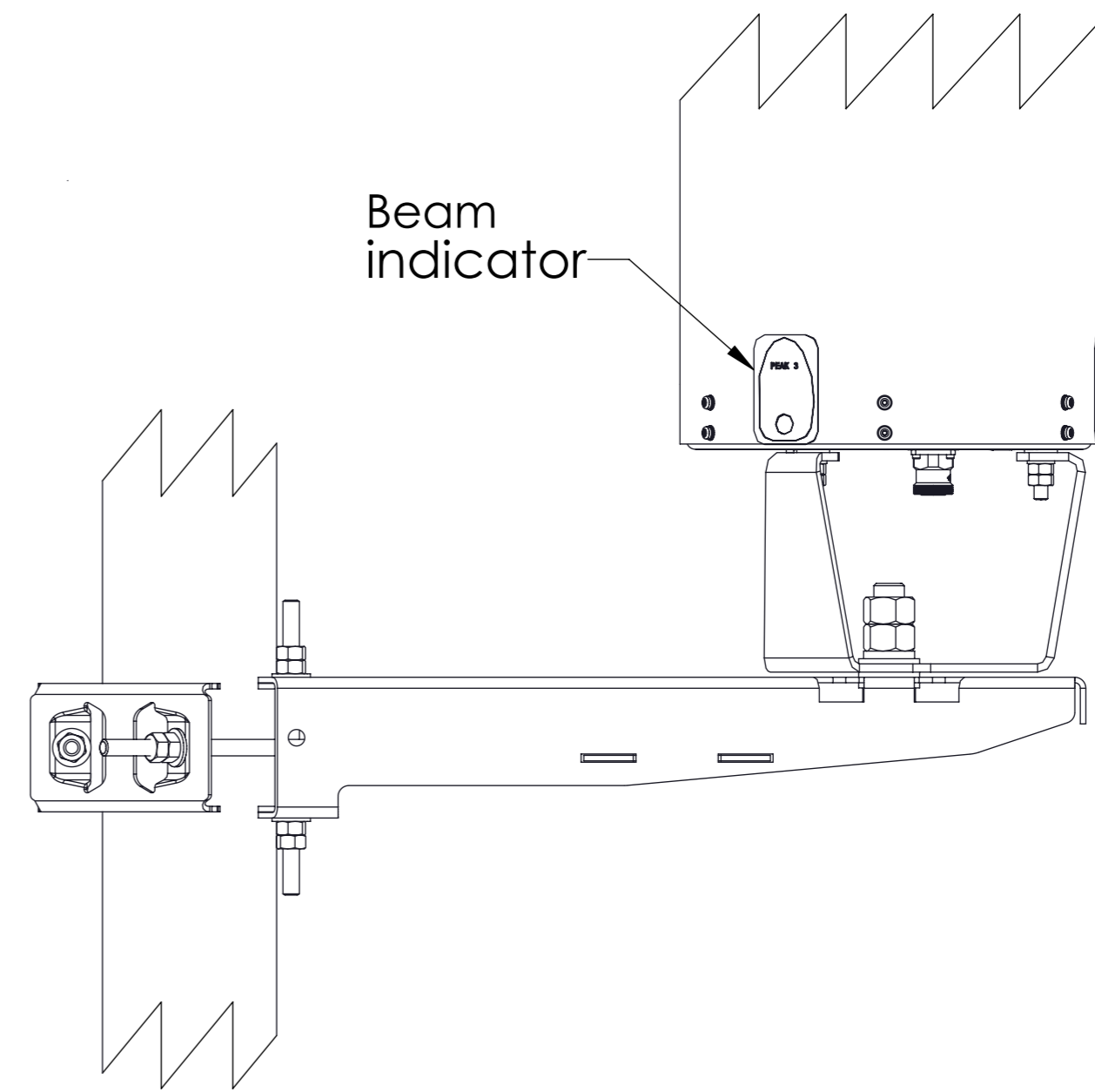


MAXIMUM TORQUE VALUES	
M12	58 N.m (43ft lbs)
M24	100 N.m (74ft lbs)

MC-MNT-SIDE

Offset Pole Mounting Option

ATTENTION: Orient the antenna unit so that the beam indicator on each antenna is directed where beam is desired.
Tighten all fasteners

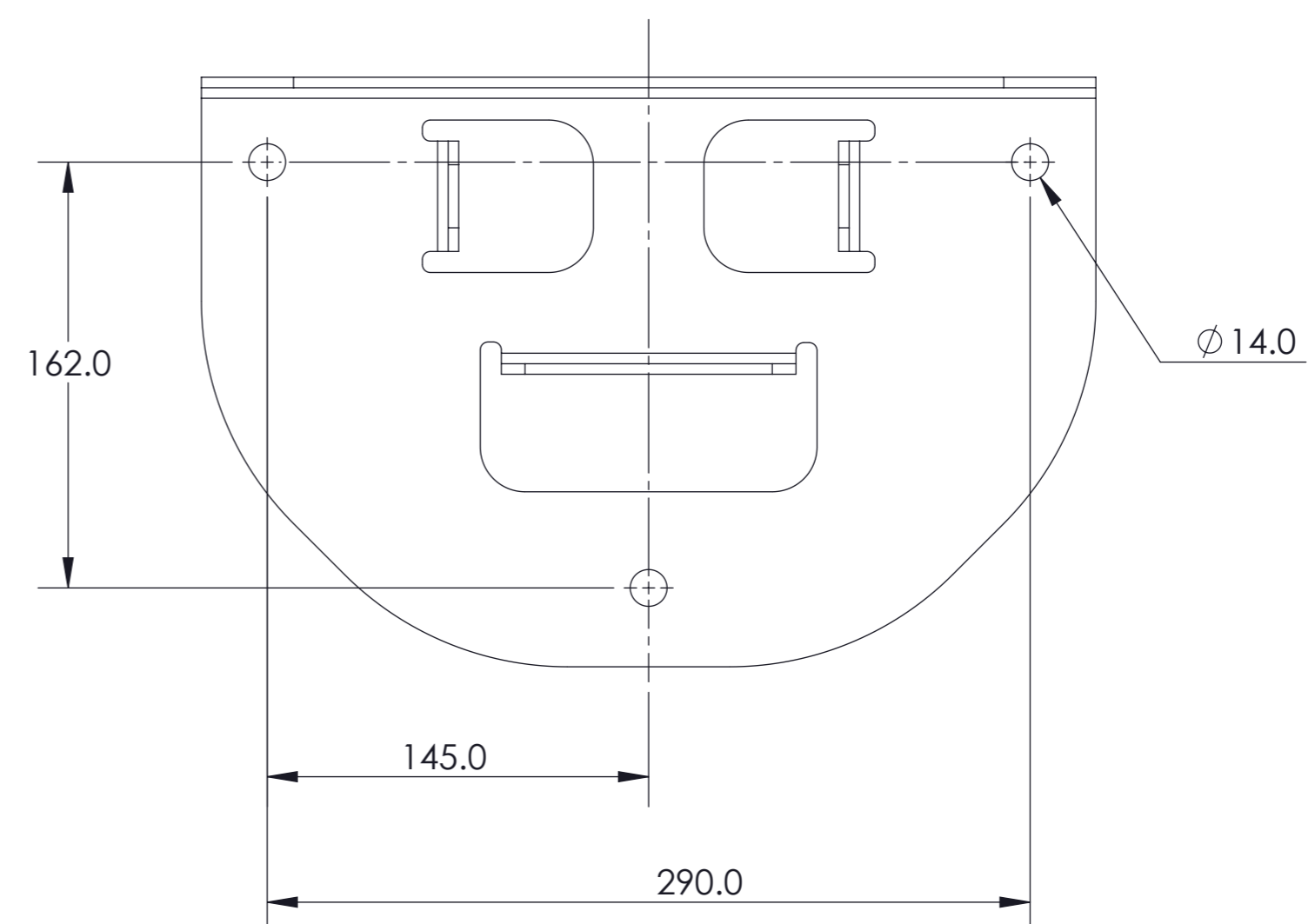
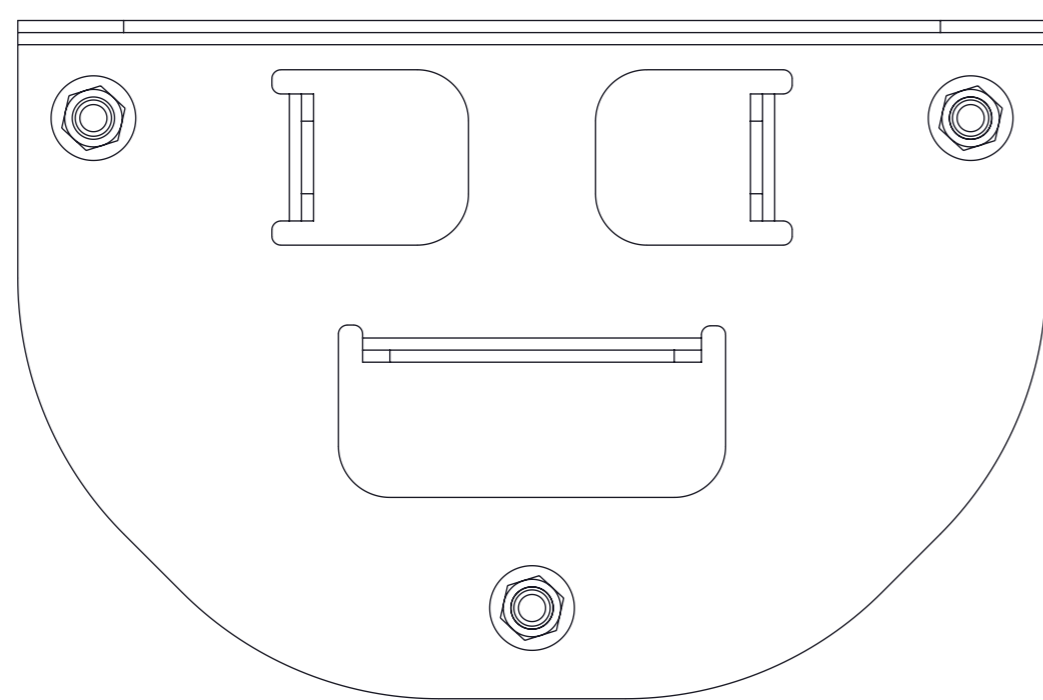


MAXIMUM TORQUE VALUES	
M12	58 N.m (43ft lbs)
M24	100 N.m (74ft lbs)

MC-MNT-SIDE

Wall Mounting Option

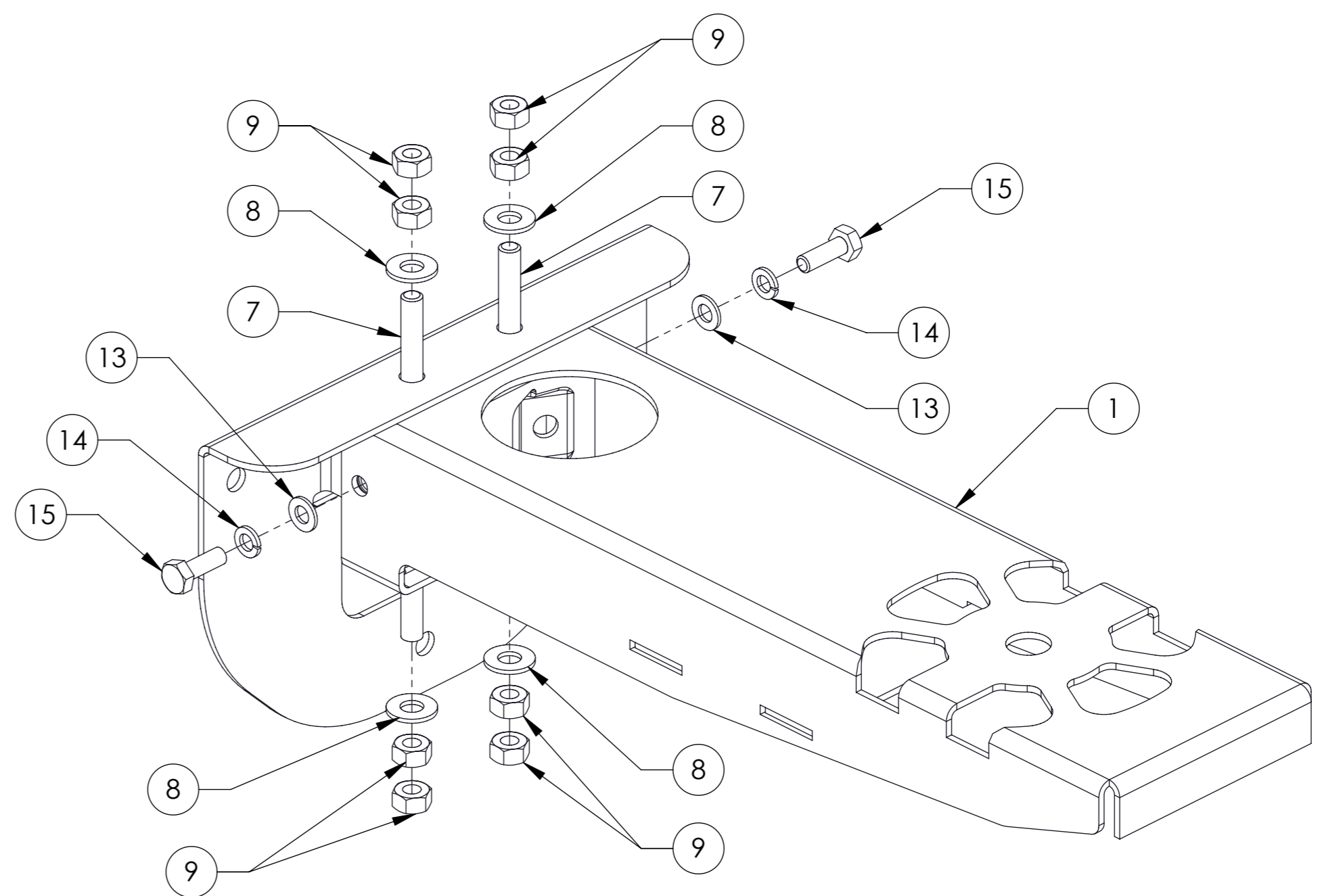
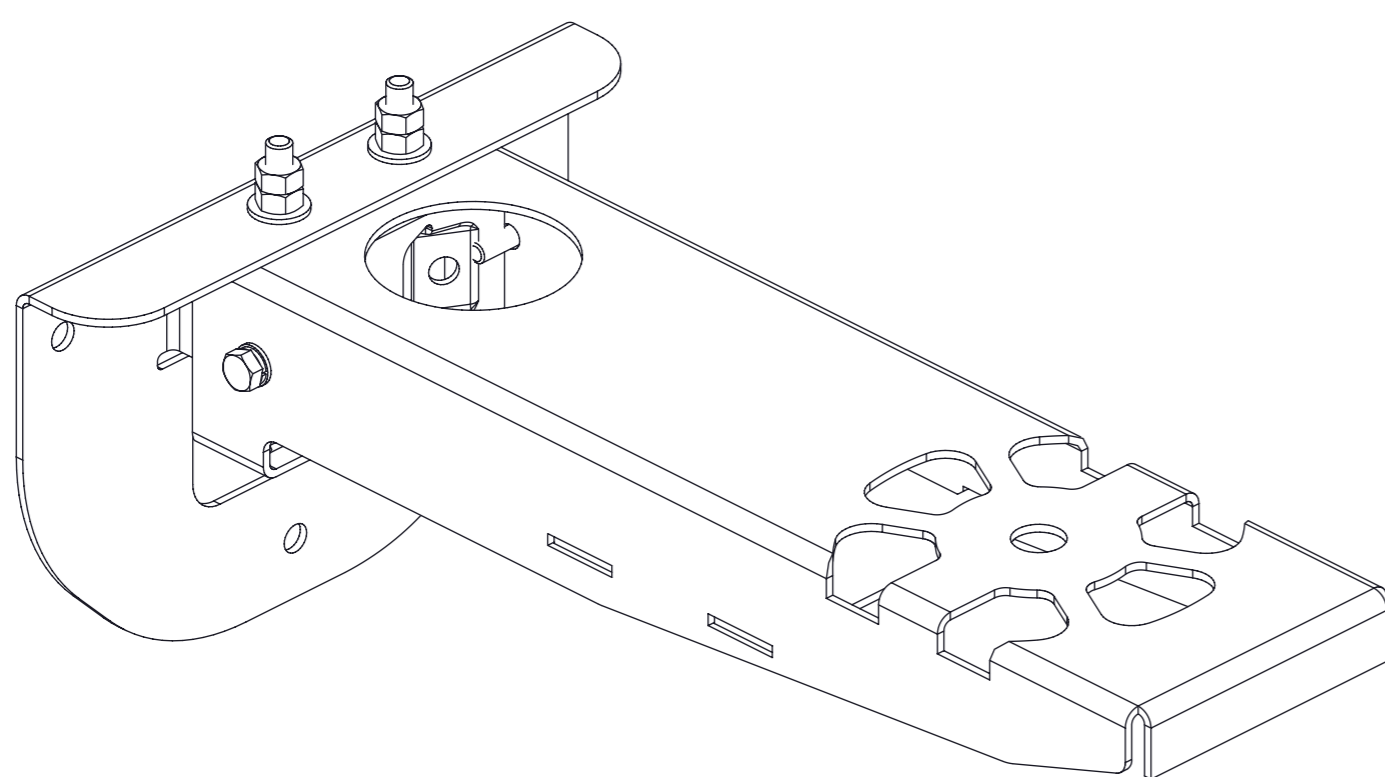
Hardware to attach bracket to wall is not included. M12 hardware is recommended.
Minimum pull out force is 4.4 KN.
Minimum shear force is 2.4 KN.



WALL MOUNT HOLE INTERFACE

Wall Mounting Option

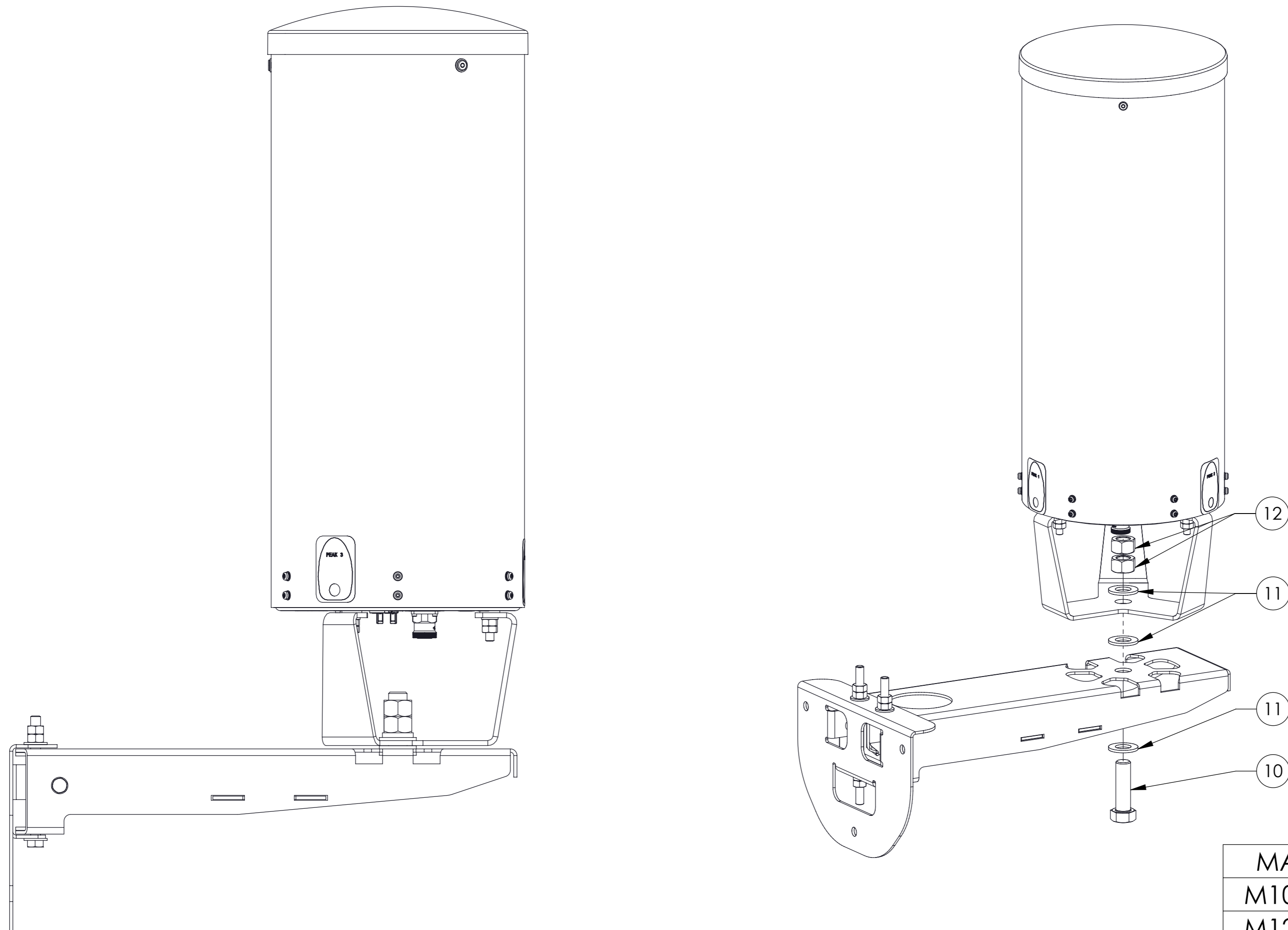
ATTENTION: Tighten all fasteners



MAXIMUM TORQUE VALUES	
M10	25 N.m (18.5ft lbs)
M12	58 N.m (43ft lbs)
M24	100 N.m (74ft lbs)

MC-MNT-SIDE

Wall Mounting Option

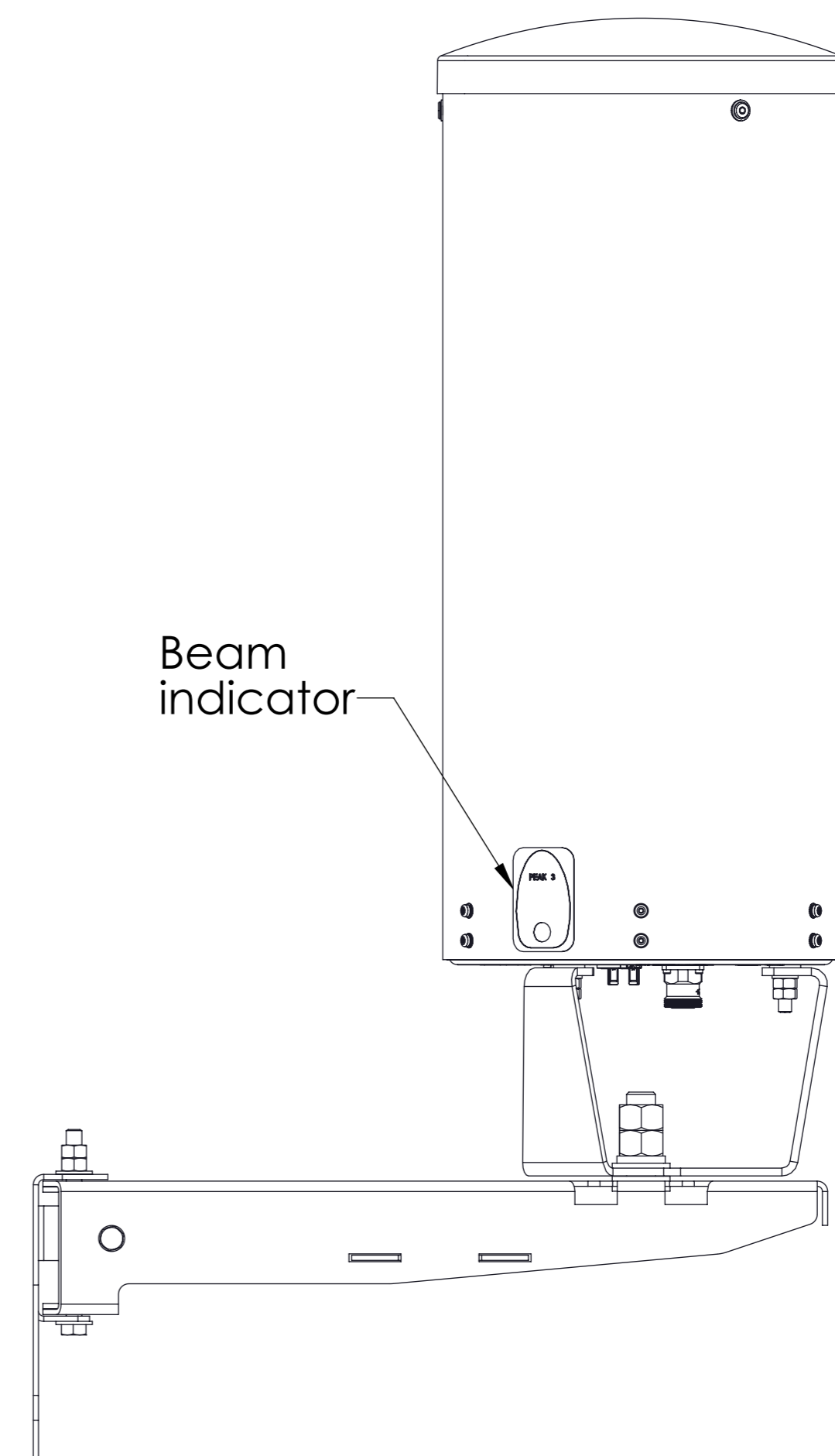


MAXIMUM TORQUE VALUES	
M10	25 N.m (18.5ft lbs)
M12	58 N.m (43ft lbs)
M24	100 N.m (74ft lbs)

MC-MNT-SIDE

Wall Mounting Option

ATTENTION: Orient the antenna unit so that the beam indicator on each antenna is directed where beam is desired. Tighten all fasteners.

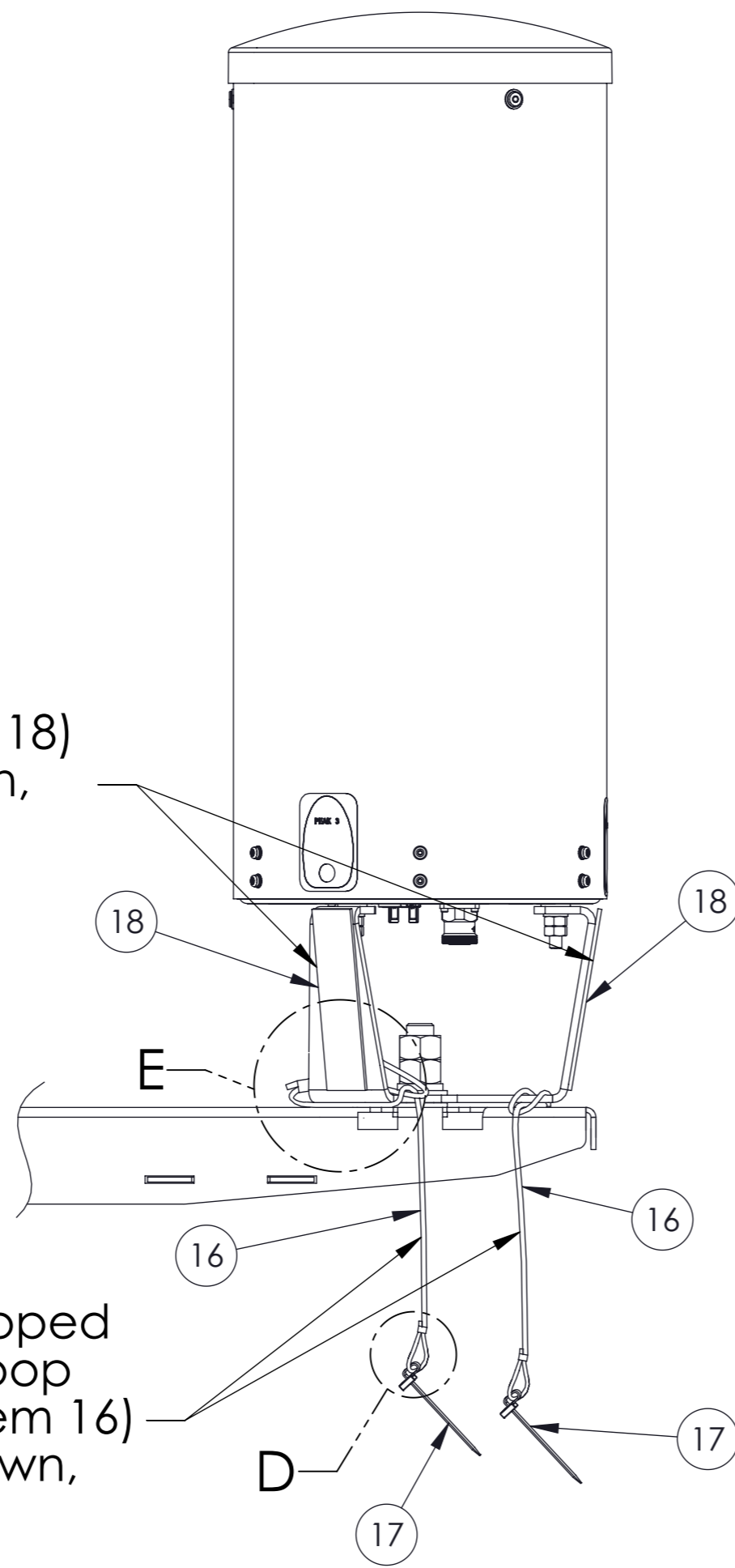


MAXIMUM TORQUE VALUES	
M10	25 N.m (18.5ft lbs)
M12	58 N.m (43ft lbs)
M24	100 N.m (74ft lbs)

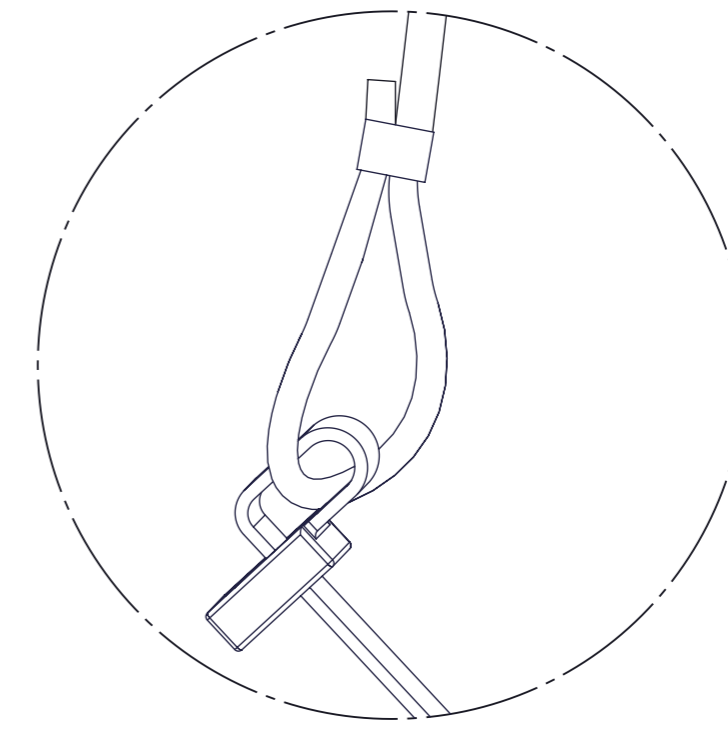
MC-MNT-SIDE

SHROUD COVER INSTALLATION BOTH FOR OFFSET AND WALL MOUNTING OPTION

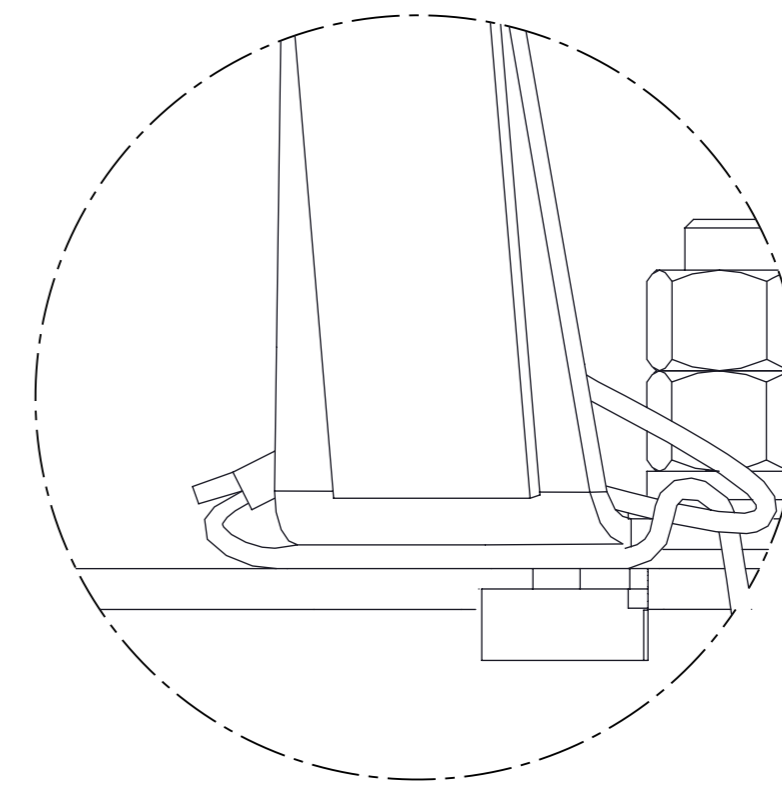
Remove liner on gasket (item 18) and stick on bracket as shown, total 3 pieces.



Loop cable tie (item 17) on small looped end of the lanyard (item 16), then loop the large looped end of lanyard (item 16) on bracket lower flat surface as shown, two places.



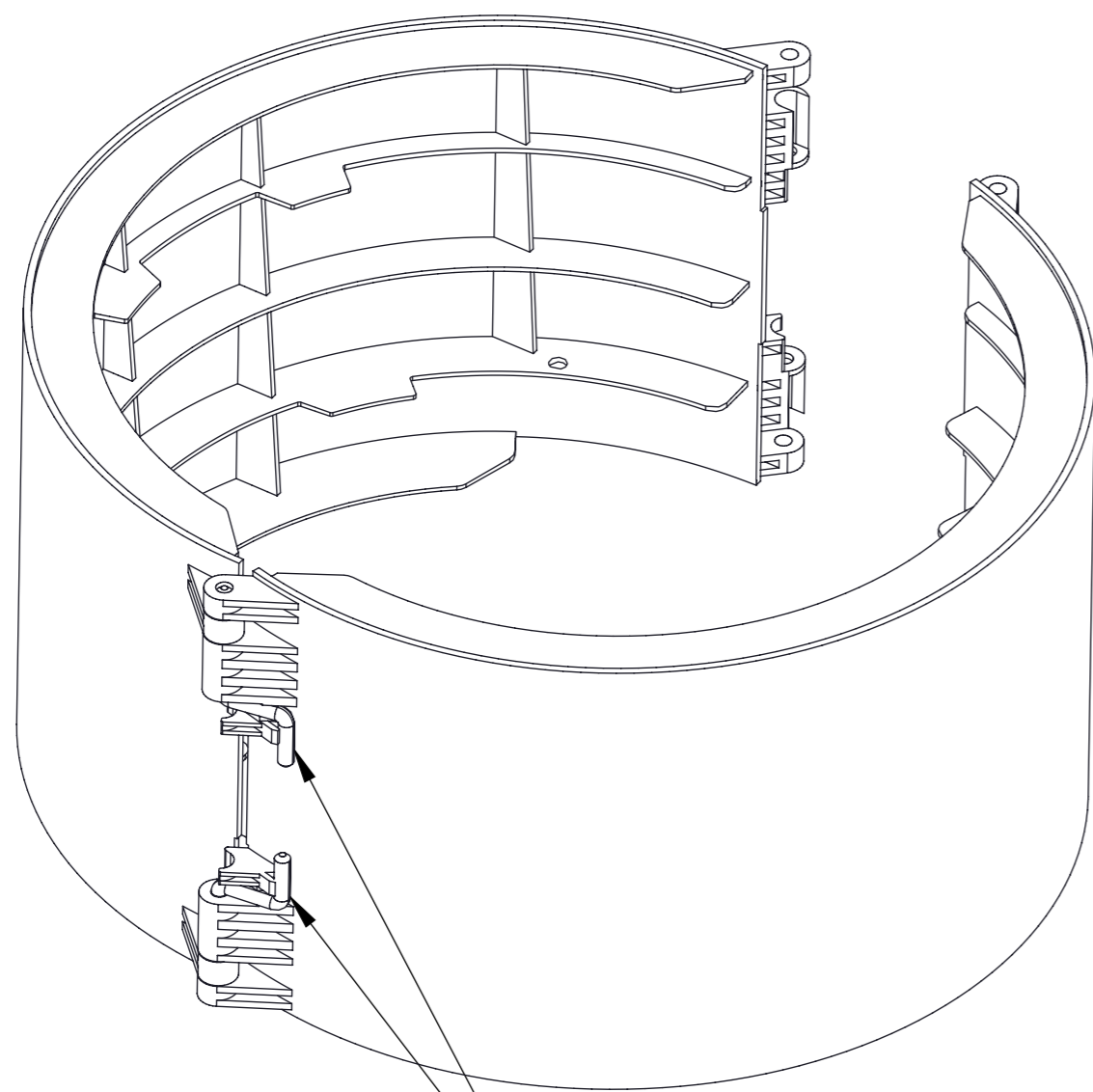
DETAIL D



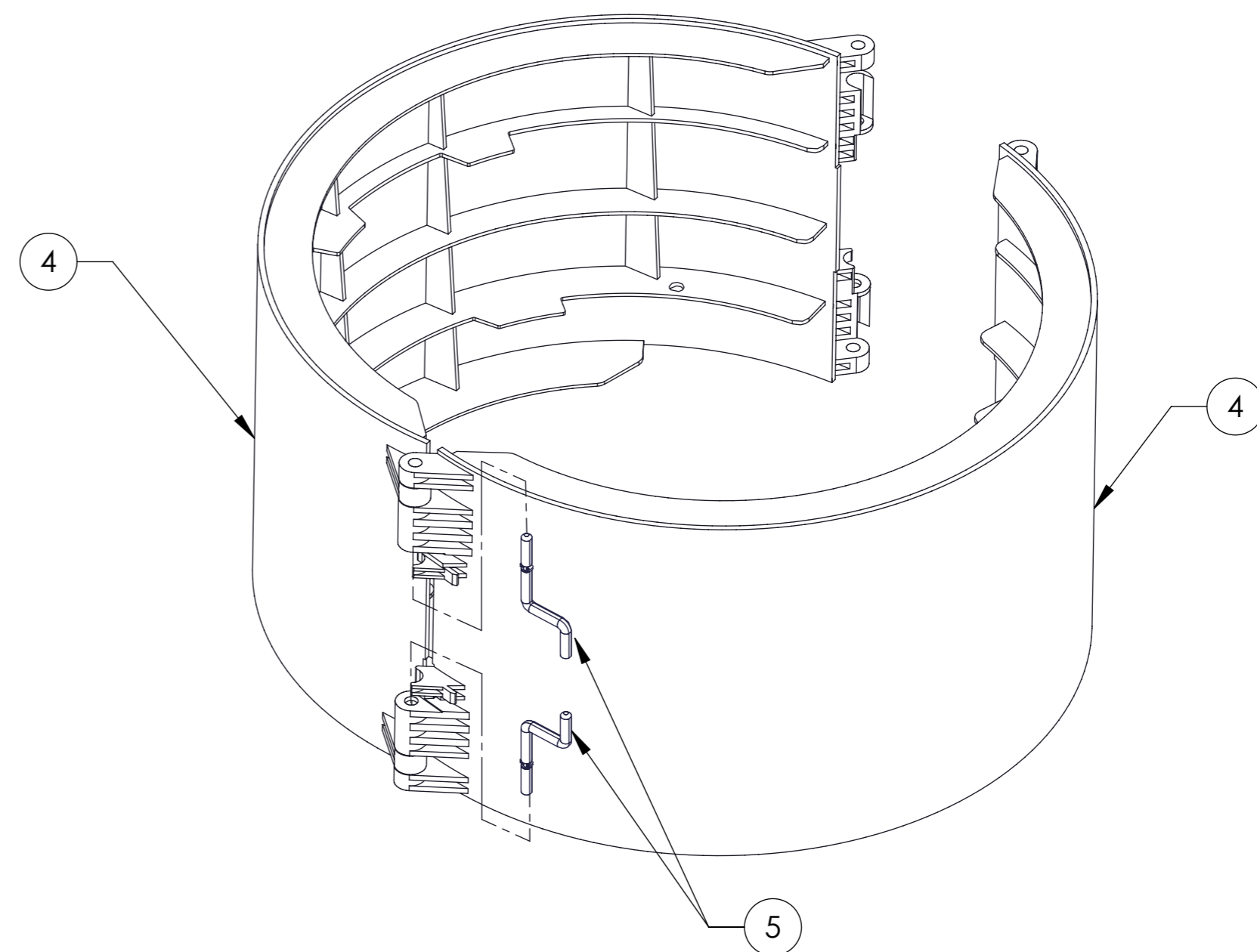
DETAIL E

MC-MNT-SIDE

SHROUD COVER INSTALLATION BOTH FOR OFFSET AND WALL MOUNTING OPTION

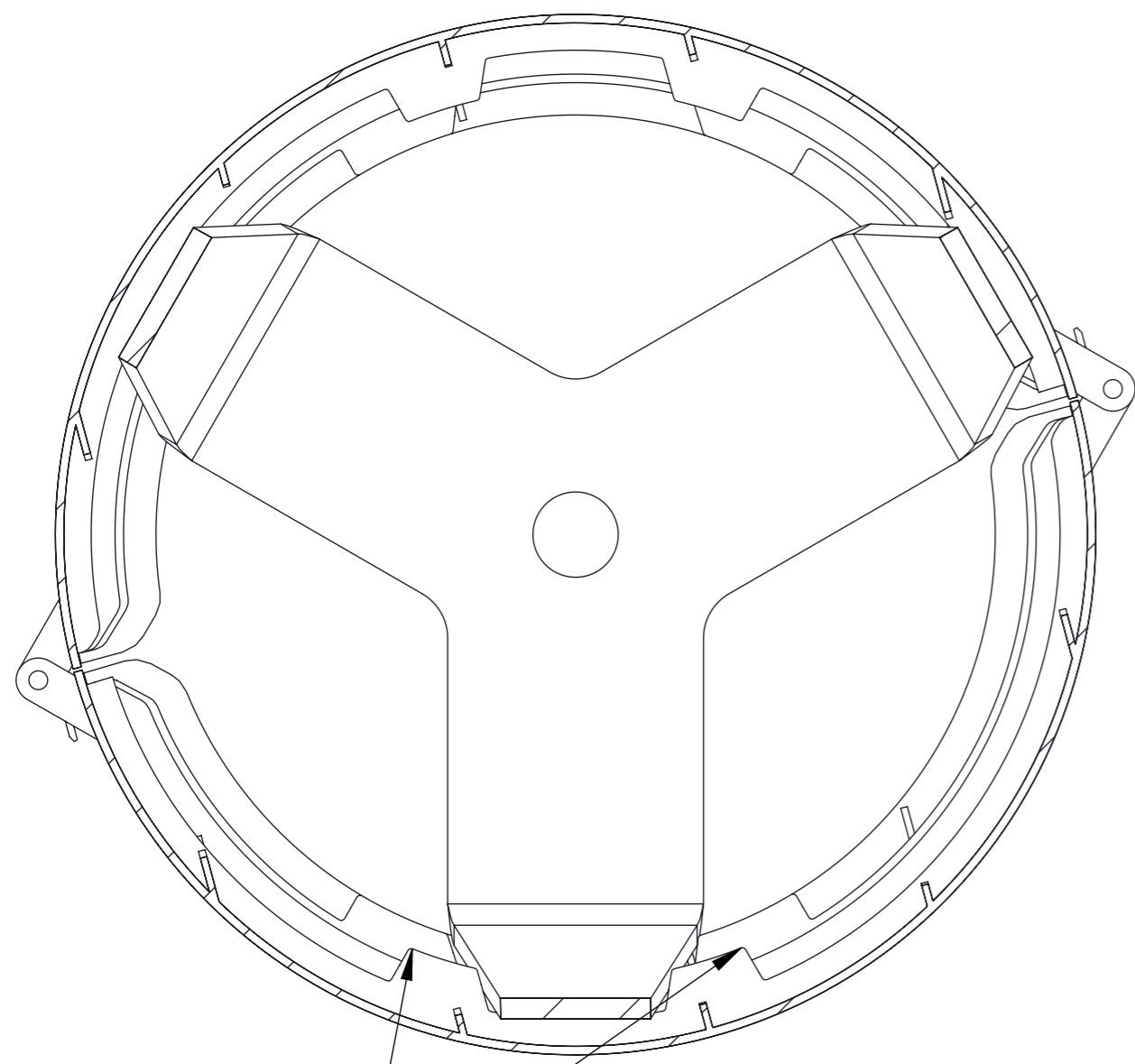


Install pivot pin (item 5) as shown.

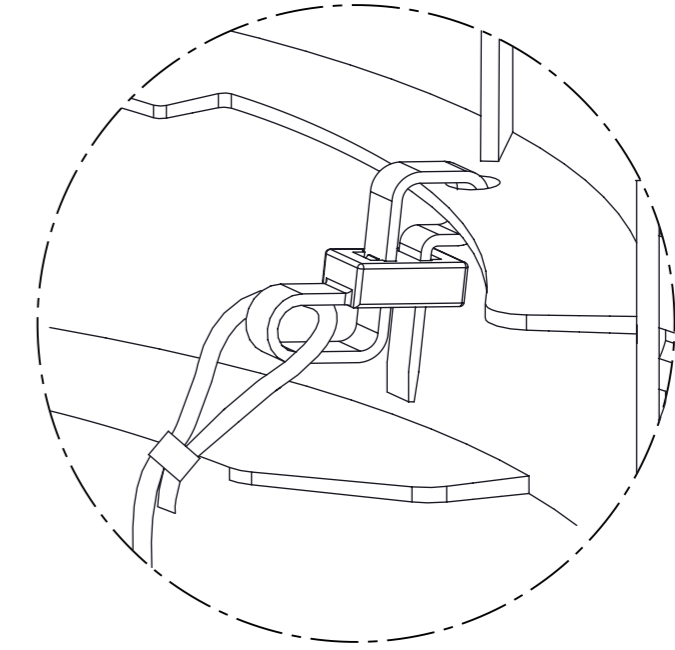
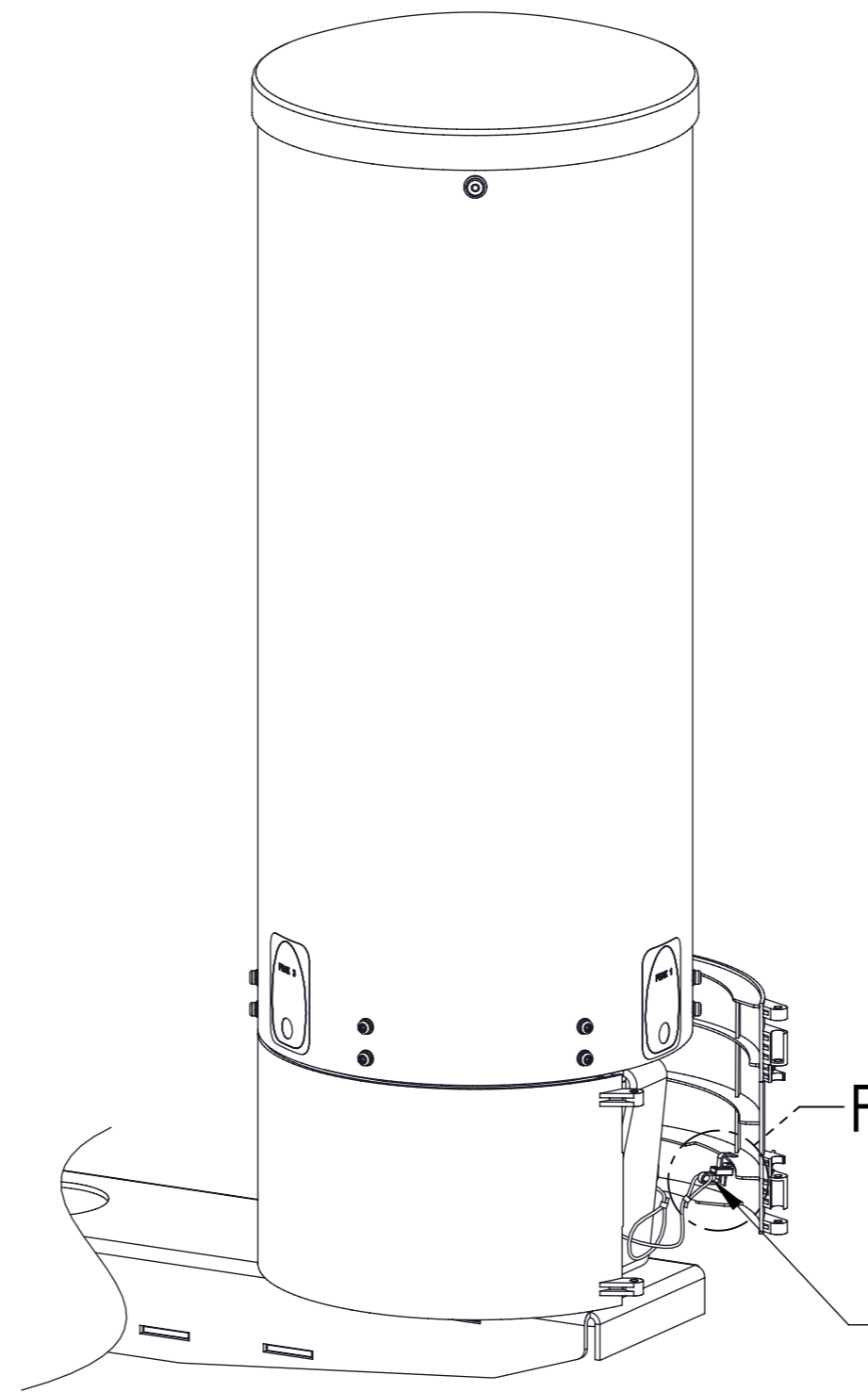


MC-MNT-SIDE

SHROUD COVER INSTALLATION BOTH FOR OFFSET AND WALL MOUNTING OPTION



Position shroud cover ribs onto bracket leg as shown, to prevent interference



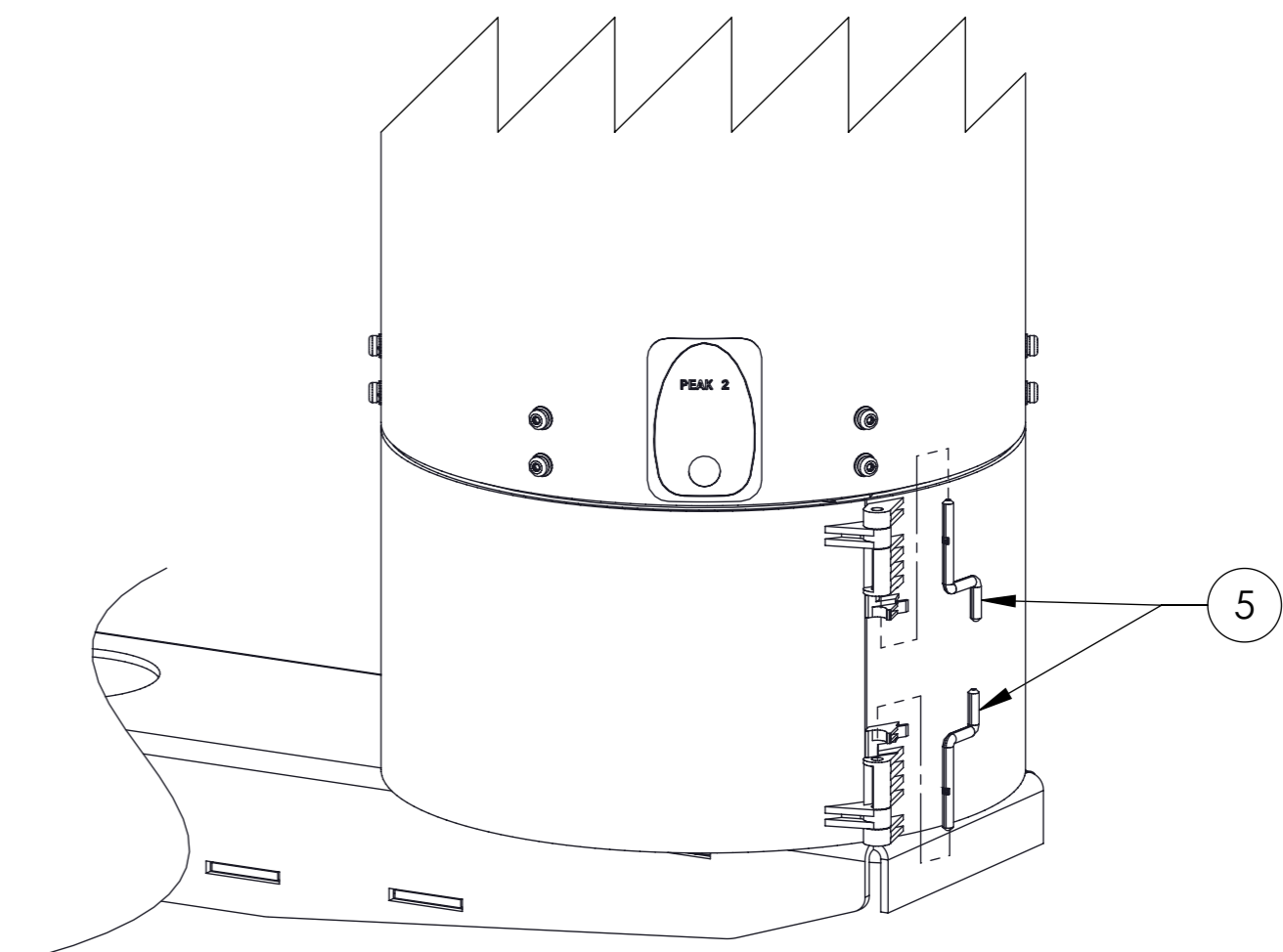
DETAIL F

With shroud cover open, attach cable tie to hole on shroud cover, trim it if necessary, two places.

MC-MNT-SIDE

SHROUD COVER INSTALLATION BOTH FOR OFFSET AND WALL MOUNTING OPTION

Install pivot pin (item 5) as shown.



MC-MNT-SIDE

CommScope

1100 CommScope Place SE P.O. Box 339, Hickory, NC 28603-0339
 (828) 324-2200 (800) 982-1708
www.commscope.com/andrew

Customer Service 24 hours

North America: +1-800-255-1479 (toll free)
 Any country: +1-779-435-6500
 email: acicustomersupportcenter@commscope.com

Notice: CommScope disclaims any liability or responsibility for the results of improper or unsafe installation, inspection, maintenance, or removal practices.
 Aviso: CommScope no acepta ninguna obligación ni responsabilidad como resultado de prácticas incorrectas o peligrosas de instalación, inspección, mantenimiento o retiro.
 Avis: CommScope décline toute responsabilité pour les conséquences de procédures d'installation, d'inspection, d'entretien ou de retrait incorrectes ou dangereuses.
 Hinweis: CommScope lehnt jede Haftung oder Verantwortung für Schäden ab, die aufgrund unsachgemäßer Installation, Überprüfung, Wartung oder Demontage auftreten.
 Atenção: A CommScope abdica do direito de toda responsabilidade pelos resultados de práticas inadequadas e sem segurança de instalação, inspeção, manutenção ou remoção.
 Avvertenza: CommScope declina eventuali responsabilità derivanti dall'esecuzione di procedure di installazione, ispezione, manutenzione e smontaggio improprie o poco sicure.
 注意: CommScope 公司申明对于不恰当或不安全的安装、检验、维修或拆卸 操作所导致的后果不负任何义务和责任。