
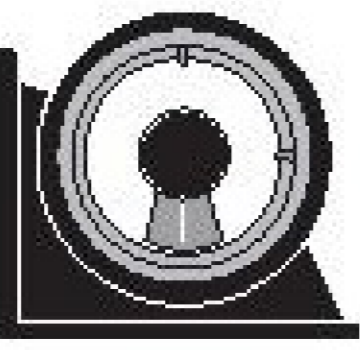
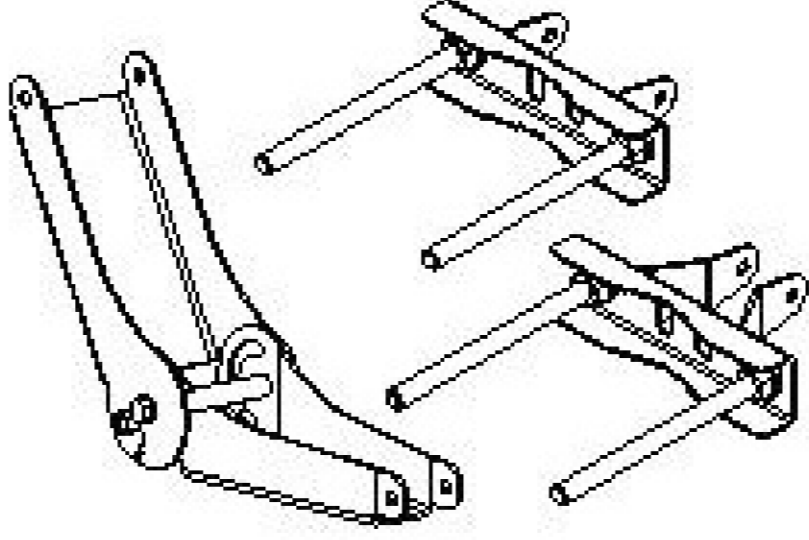
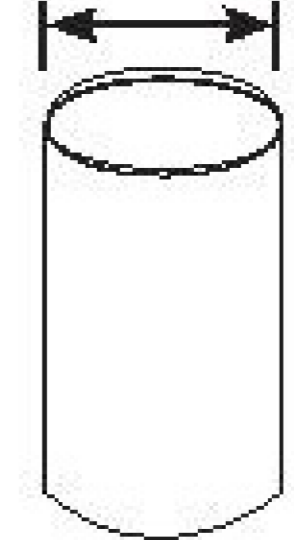


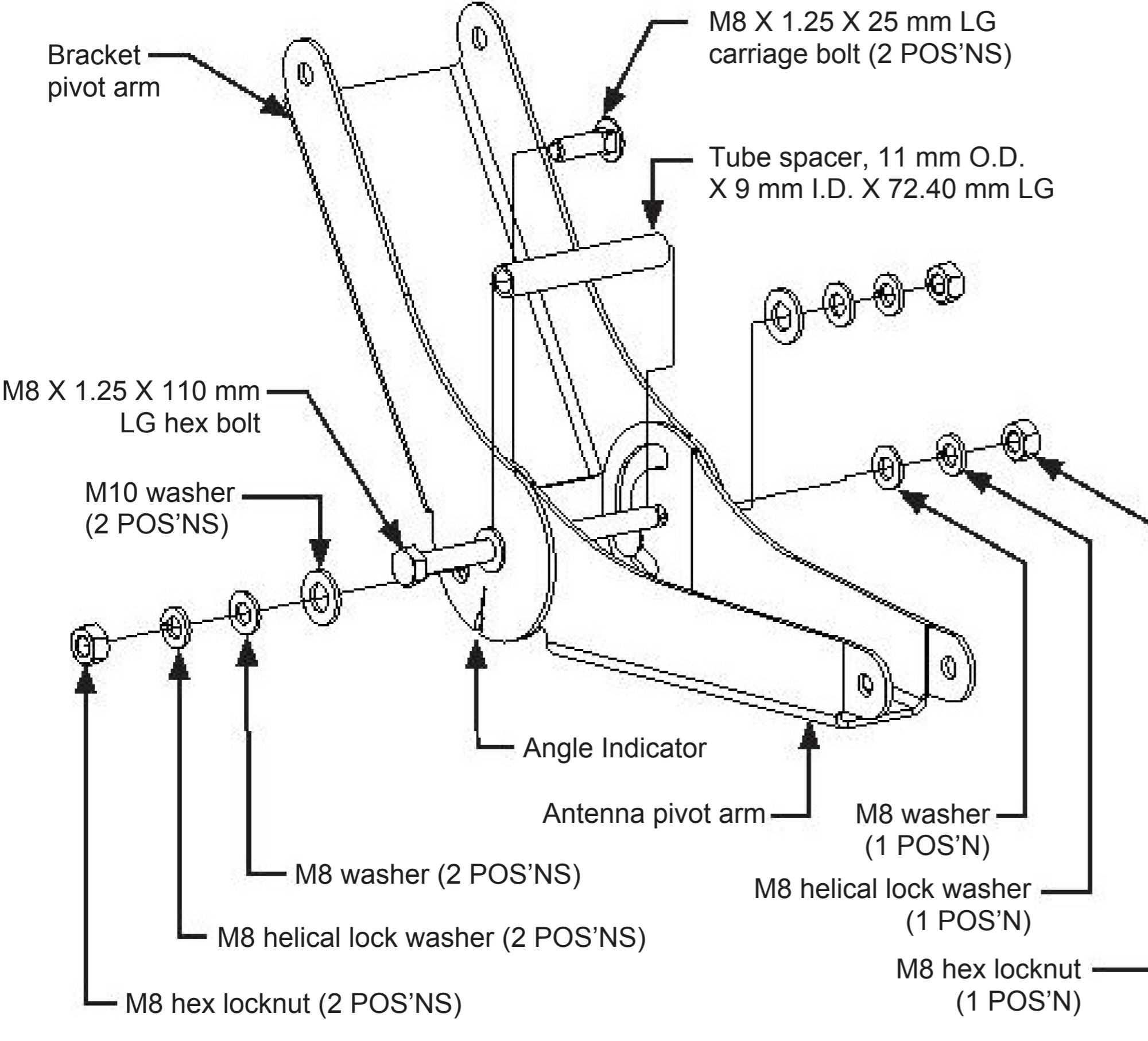
639528 Revision D, May 2016

**Downtilt Mounting Kit
602030WM**

CommScope Institute offers installation training.

<p>Tools Required:</p> <p>13 mm 13 mm 19 mm 19 mm</p>  <p>Inclinometer</p> 			<p>Mount Kit includes:</p> <table border="1"> <thead> <tr> <th>Qty.</th> <th>P/N</th> <th>Description</th> </tr> </thead> <tbody> <tr> <td>1</td> <td>622621-1</td> <td>Downtilt Bracket</td> </tr> <tr> <td>1</td> <td>622626-1</td> <td>Top Pipe Mount</td> </tr> <tr> <td>1</td> <td>622627-1</td> <td>Bottom Pipe Mount</td> </tr> <tr> <td>1</td> <td></td> <td>Hardware Kit</td> </tr> </tbody> </table>	Qty.	P/N	Description	1	622621-1	Downtilt Bracket	1	622626-1	Top Pipe Mount	1	622627-1	Bottom Pipe Mount	1		Hardware Kit	 <p>Kit fits pipe diameters 60 mm to 115 mm O.D.</p>
Qty.	P/N	Description																	
1	622621-1	Downtilt Bracket																	
1	622626-1	Top Pipe Mount																	
1	622627-1	Bottom Pipe Mount																	
1		Hardware Kit																	

1



Bracket pivot arm

M8 X 1.25 X 25 mm LG carriage bolt (2 POS'NS)

Tube spacer, 11 mm O.D. X 9 mm I.D. X 72.40 mm LG

M8 X 1.25 X 110 mm LG hex bolt

M10 washer (2 POS'NS)

Angle Indicator

Antenna pivot arm

M8 washer (2 POS'NS)

M8 helical lock washer (2 POS'NS)

M8 hex locknut (2 POS'NS)

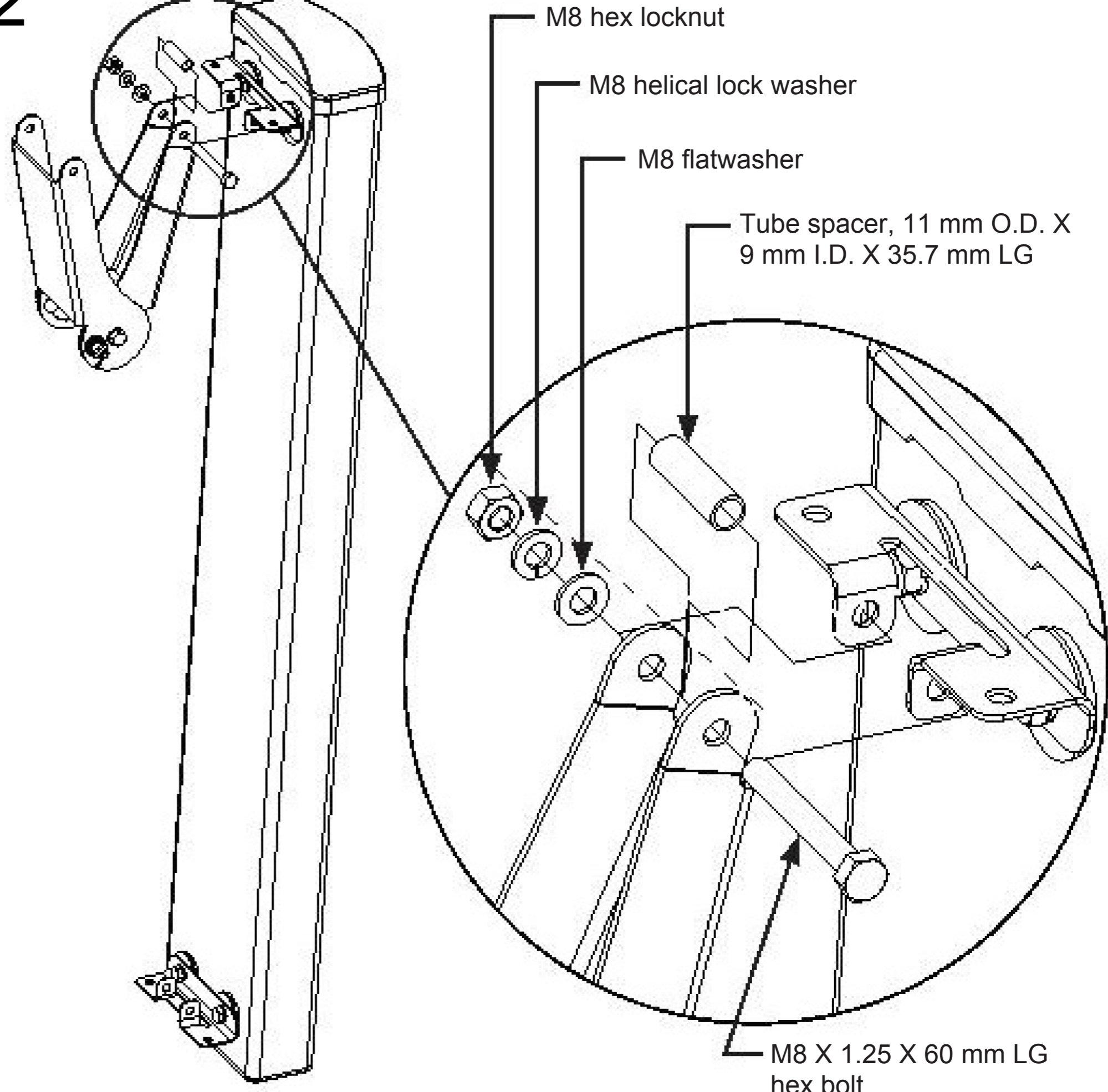
M8 washer (1 POS'N)

M8 helical lock washer (1 POS'N)

M8 hex locknut (1 POS'N)

Assemble downtilt bracket.

2



M8 hex locknut

M8 helical lock washer

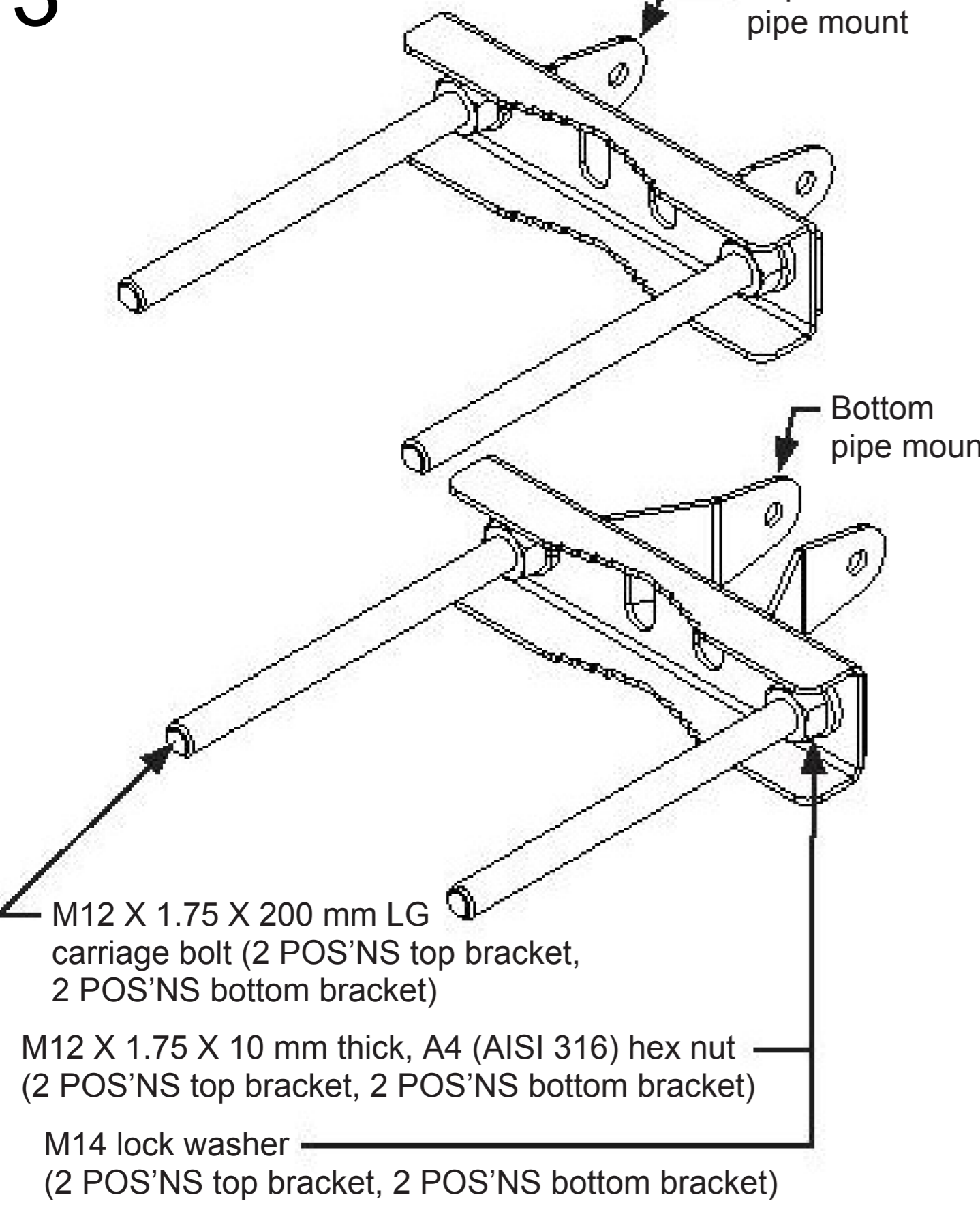
M8 flatwasher

Tube spacer, 11 mm O.D. X 9 mm I.D. X 35.7 mm LG

M8 X 1.25 X 60 mm LG hex bolt

Attach downtilt bracket to the top of the antenna.

3



Top pipe mount

Bottom pipe mount

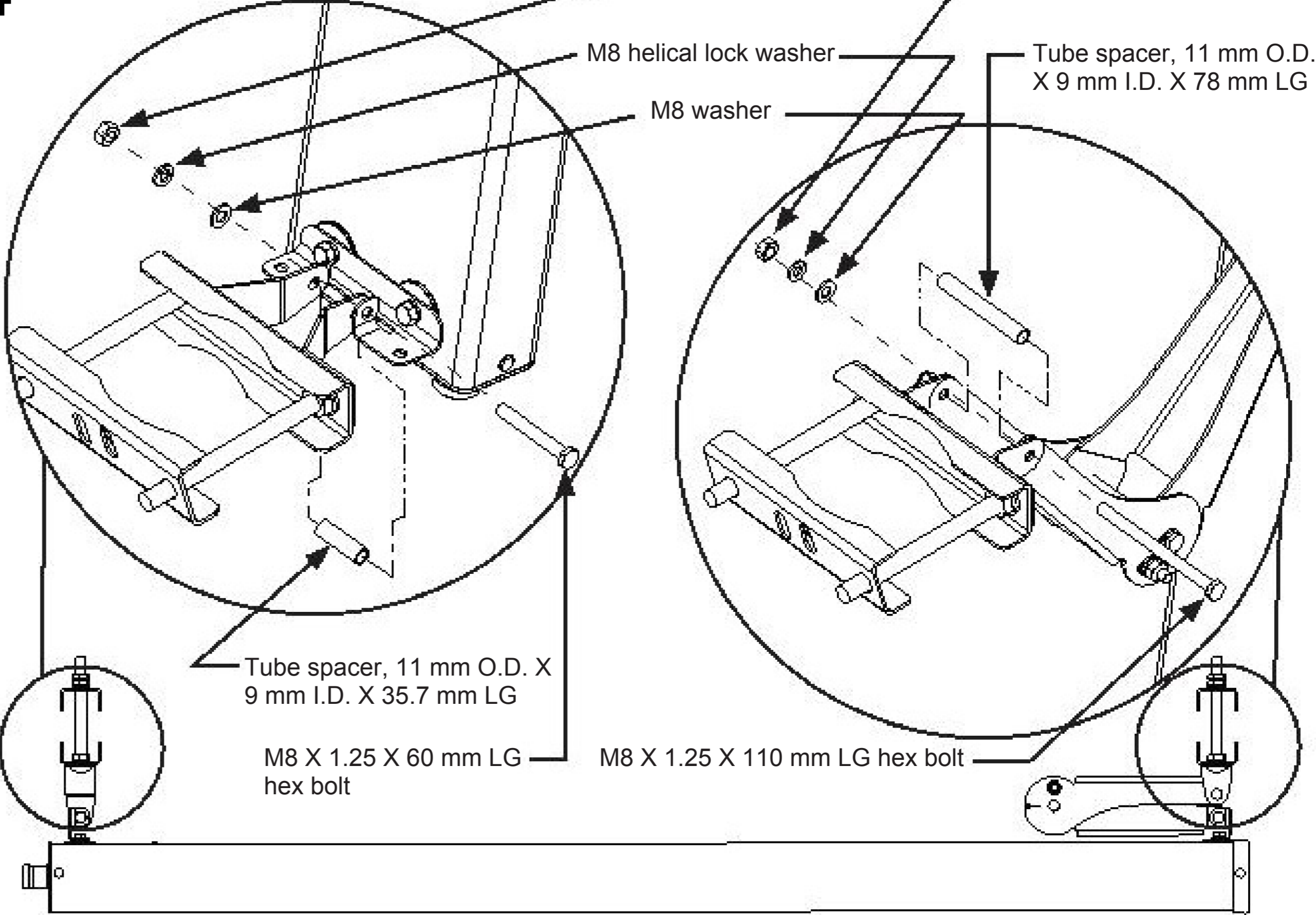
M12 X 1.75 X 200 mm LG carriage bolt (2 POS'NS top bracket, 2 POS'NS bottom bracket)

M12 X 1.75 X 10 mm thick, A4 (AISI 316) hex nut (2 POS'NS top bracket, 2 POS'NS bottom bracket)

M14 lock washer (2 POS'NS top bracket, 2 POS'NS bottom bracket)

Assemble bottom and top pipe mounts.

4



M8 hex locknut

M8 helical lock washer

M8 washer

Tube spacer, 11 mm O.D. X 9 mm I.D. X 78 mm LG

Tube spacer, 11 mm O.D. X 9 mm I.D. X 35.7 mm LG

M8 X 1.25 X 60 mm LG hex bolt

M8 X 1.25 X 110 mm LG hex bolt

Attach pipe mounts to the downtilt bracket and bottom antenna bracket.

5

918mm

27 mm

Set downtilt bracket at 0 degrees.

6

M12 X 1.75 X 10 mm thick, hex nut
(2 POS'NS top, 2 POS'NS bottom)

M12 X 2.5 mm thick, helical lock washer
(2 POS'NS top, 2 POS'NS bottom)

Fasten pipe mounts to mast.

7

Angle Indicator

M8 hex locknut

Loosen M8 hardware to adjust downtilt.
Adjust bracket to show desired angle on indicator.
Verify desired downtilt with an Inclinometer

8

M8 hardware: 18 N-m (160 lbf-in.)
M12 hardware: 30 N-m (266 lbf-in.)

Torque all hardware.

Do not install near power lines. Power lines, telephone lines, and guy wires look the same. Assume any wire or line can electrocute you.

Do not install on a wet or windy day or when lightning or thunder is in the area. Do not use metal ladder.

Wear shoes with rubber soles and heels. Wear protective clothing including a long-sleeved shirt and rubber gloves.