

TFAH70/80-34



ION®-B Series High Power Remote Unit for LMR700 and LMR800

OBSOLETE

Product Classification

Product Type Remote unit

Product Brand ION®-B

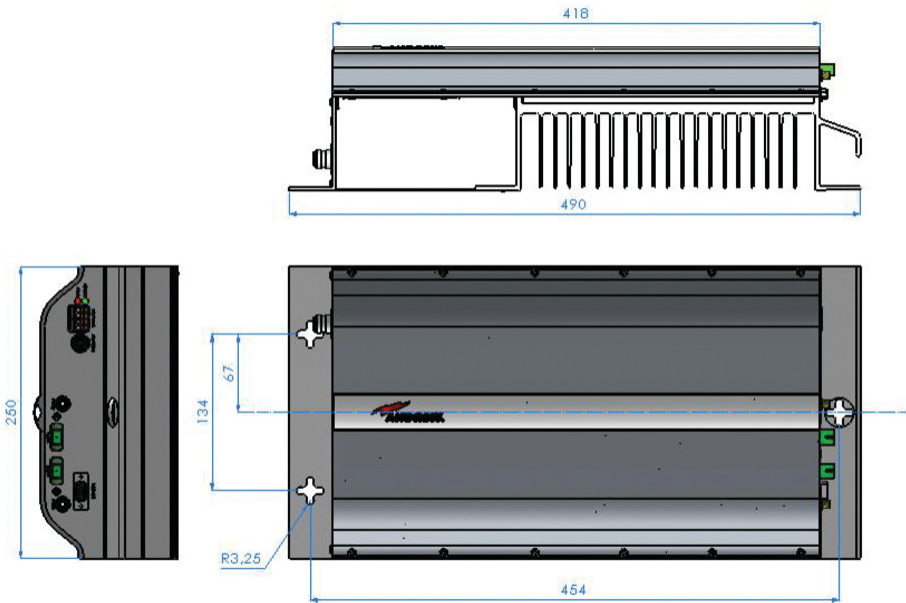
General Specifications

Note Detailed Product Specifications are available. Please contact your local CommScope representative.

Power Type High

Dimension Drawing

TFAH70/80-34



Electrical Specifications

Impedance	50 ohm
License Band	LMR 700 LMR 800
Voltage Range	-60 to -38 Vdc

Electrical Specifications, Rx (Uplink)

Operating Frequency Band	788 – 806 MHz (LMR 700) 806 – 824 MHz (LMR 800)
---------------------------------	---

Electrical Specifications, Tx (Downlink)

Operating Frequency Band	758 – 775 MHz (LMR 700) 851 – 869 MHz (LMR 800)
---------------------------------	---

Regulatory Compliance/Certifications

Agency	Classification
ISO 9001:2015	Designed, manufactured and/or distributed under this quality management system



Included Products

TPSN3/28-130 – Power Supply Adapter ION®-B Series Remote Units, 130

TFAH70/80-34

W

TPSN3/28-130

Power Supply Adapter ION®-B Series Remote Units, 130 W



Product Classification

Product Type

Power adapters

Product Brand

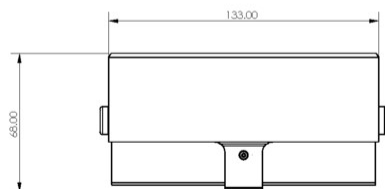
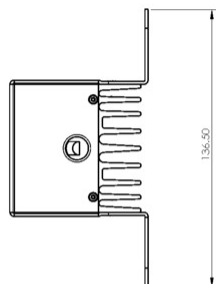
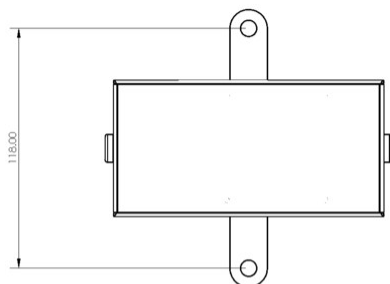
ION®-B

General Specifications

Note

Detailed Product Specifications are available. Please contact your local CommScope representative.

Dimension Drawing



TPSN3/28-130

Electrical Specifications

Output Power, maximum

130 W

Regulatory Compliance/Certifications

Agency

ISO 9001:2015

Classification

Designed, manufactured and/or distributed under this quality management system

