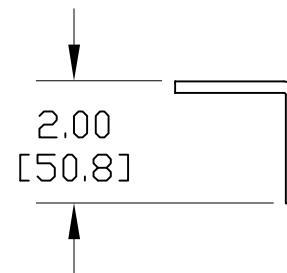
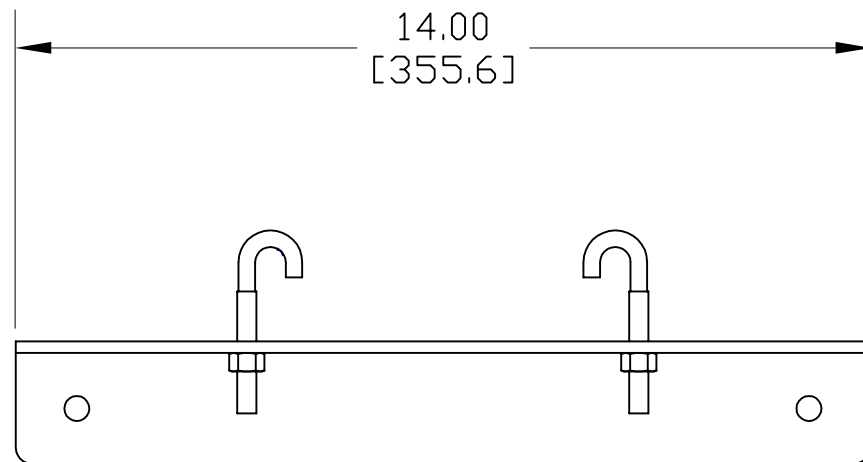
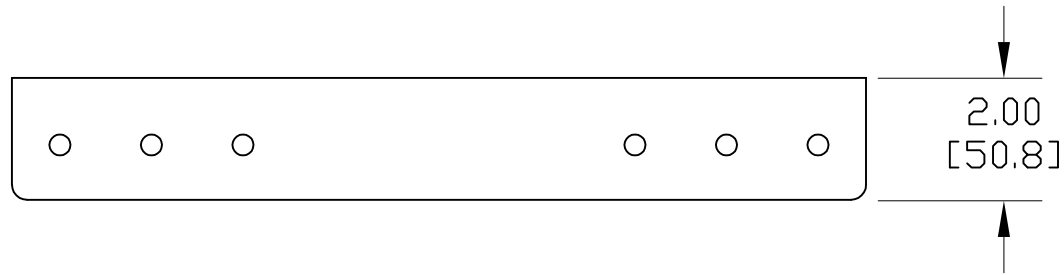


MATERIAL ID	DESCRIPTION	WEIGHT (lbs.)
760084145	WALL RAIL SUPPORT KIT, 6"-12" LADDER RACK	5.0

NOTES:

- SEE SYSTMIX CATALOG FOR PART NUMBER SUFFIXES TO INDICATE COLOR/PKG.
- SEE SYSTMIX CATALOG FOR COMPLETE LIST OF PARTS RELATED TO THE USE OF THIS PRODUCT.
- DIMENSIONS IN PARENTHESES ARE IN METRIC.
- PART INCLUDES:  
 (1) SUPPORT  
 (2) J-BOLTS AND NUTS



CR6-12WRSK	
COMMSCOPE, INC HICKORY, NORTH CAROLINA	
DRAWN BY SEW	DWG NO. 760084145
DATE 1/15/08	

REV	DATE	ECR	DESCRIPTION	BY
1	1/15/08		INITIAL ISSUE	TWL