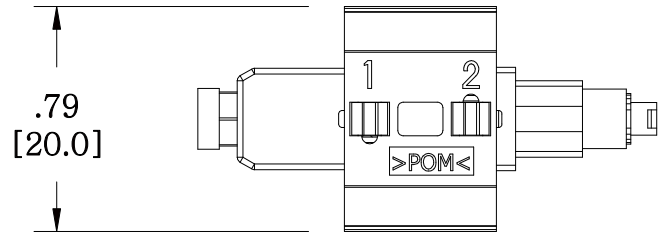
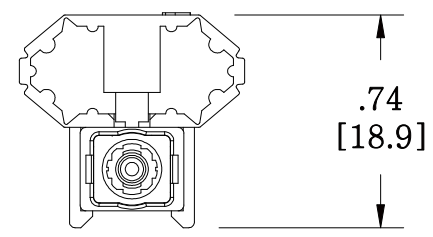
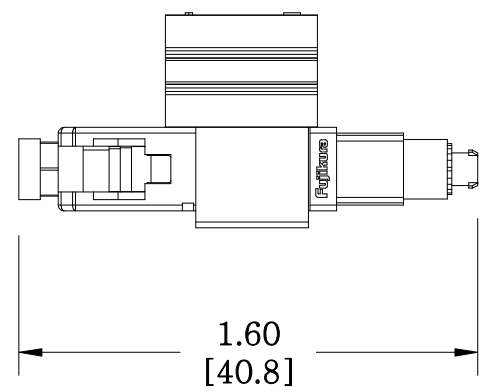


MATERIAL ID	DESCRIPTION
760117960	OptiSPEED® FIBER QWIK II-SC CONNECTOR™, FIELD INSTALLABLE, BEIGE



NOTES:

- SEE COMMSCOPE CATALOG FOR PART NUMBER SUFFIXES TO INDICATE COLOR/PKG.
- SEE COMMSCOPE CATALOG FOR COMPLETE LIST OF PARTS RELATED TO THE USE OF THIS PRODUCT.
- DIMENSIONS IN PARENTHESES ARE IN METRIC.
- PART INCLUDES:
 (1) COVER, PROTECTIVE, FERRULE, BLACK
 (1) TUBING, HYTREL, 250um BUILD UP
 (1) BOOT, STRAIN RELIEF BLACK, 900um
 (1) CONNECTOR ASSEMBLY, SM, BLUE



MFC-SCF-09-6X

COMMSCOPE, INC OF NORTH CAROLINA

REV	DATE	ECR	DESCRIPTION	APPROVED BY	DATE	DWG NO
1	10/10/12		INITIAL ISSUE			
					10/10/2012	760117960