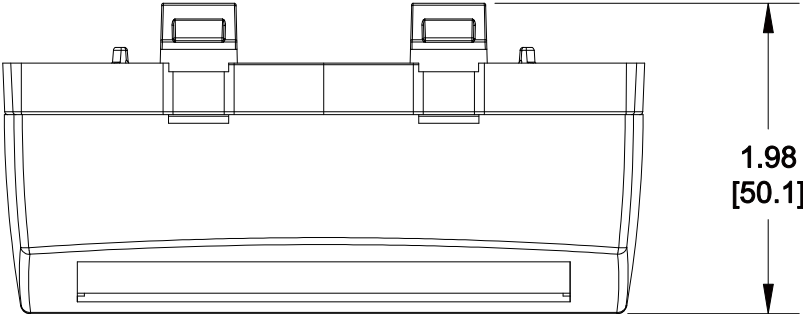
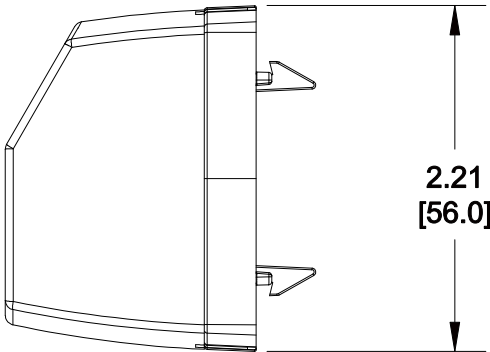
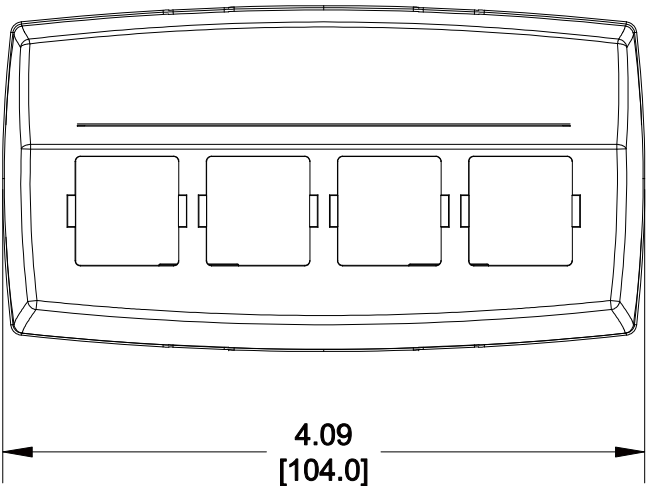


MATERIAL ID	DESCRIPTION
760118299	M14CE-E TYPE FURNITURE FACEPLATE, FOUR PORT IVORY



NOTES:

1. SEE COMMSCOPE CATALOG FOR PART NUMBER SUFFIXES TO INDICATE COLOR/PKG.
2. SEE COMMSCOPE CATALOG FOR COMPLETE LIST OF PARTS RELATED TO THE USE OF THIS PRODUCT.
3. DIMENSIONS IN PARENTHESES ARE IN METRIC[MM].
4. PART INCLUDES:
 (1) COVER FACEPLATE
 (1) M14CE-E ADAPTER 0.125 SNAP
 (1) INSTRUCTION CARD FOR M14CE-E FACEPLATE
 (1) CARD NUMBER
 (1) RETAINER CARD



M14CE-E FACEPLATE FOR 0.125 SNAP_IVORY

COMMSCOPE, INC OF NORTH CAROLINA

1	1/22/14		INITIAL ISSUE		DRAWN BY JW		
REV	DATE	ECR	DESCRIPTION	APPROVED BY	DATE 1/22/2014		DWG NO 760118299