

MATERIAL ID

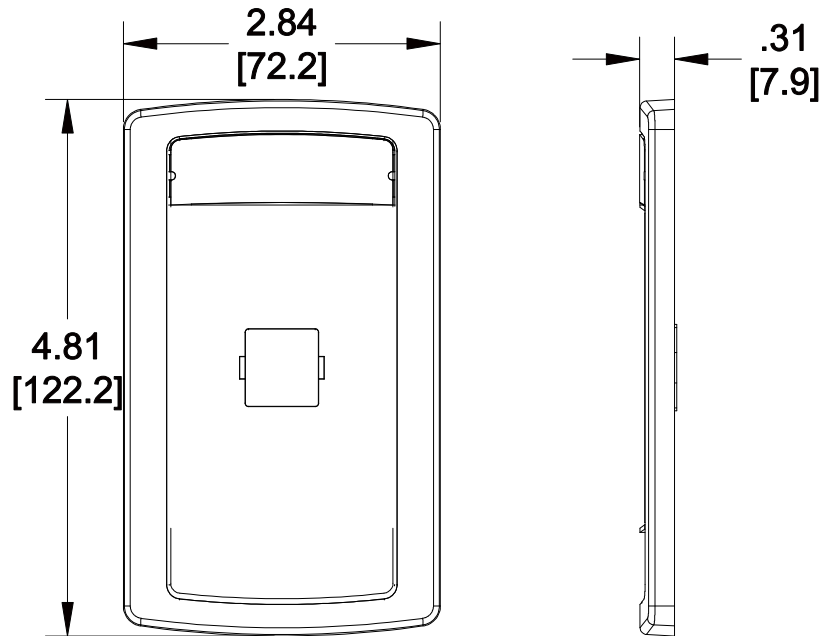
DESCRIPTION

760181933

ONE MODULE FACEPLATE, PROWHITE

NOTES:

1. SEE COMMSCOPE CATALOG FOR PART NUMBER SUFFIXES TO INDICATE COLOR/PKG.
2. SEE COMMSCOPE CATALOG FOR COMPLETE LIST OF PARTS RELATED TO THE USE OF THIS PRODUCT.
3. DIMENSIONS IN PARENTHESES ARE IN METRIC.
4. PART INCLUDES:
  - (1) FACEPLATE
  - (3) RETAINER, CARD
  - (2) CARD, BLANK
  - (2) SCREWS



M10LE-266

**COMMSCOPE, INC** OF NORTH CAROLINA

1	09/02/13		INITIAL ISSUE		DRAWN BY JW		
REV	DATE	ECR	DESCRIPTION	APPROVED BY	DATE 09/02/2013		DWG NO 760181933