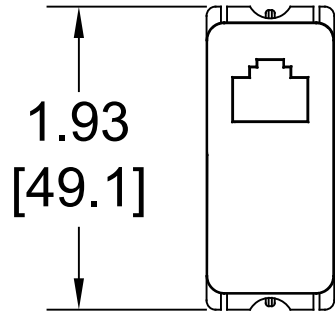
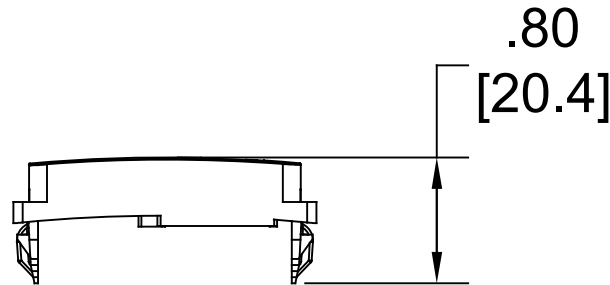
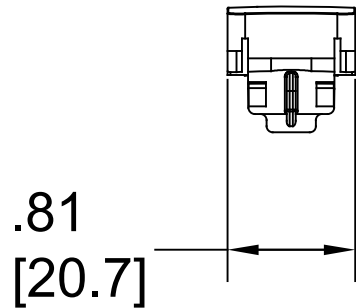


MATERIAL ID	DESCRIPTION
760237950	SL-AC-WHK



NOTES:

1. SEE COMMSCOPE CATALOG FOR PART NUMBER SUFFIXES TO INDICATE COLOR/PKG.
2. SEE COMMSCOPE CATALOG FOR COMPLETE LIST OF PARTS RELATED TO THE USE OF THIS PRODUCT.
3. DIMENSIONS ARE IN INCHES[MM].
4. PART INCLUDES:
(4) SL ADAPTER CRADLE, WHITE



SL ADAPTER CRADLE, WHITE KIT	
COMMSCOPE, INC OF NORTH CAROLINA	

1	14-AUG-17		INITIAL ISSUE	AW	DRAWN BY TZ	
REV	DATE	ECR	DESCRIPTION	APPROVED BY	DATE 14-AUG-2017	DWG NO 760237950