

Surge Arrestoes

for Types 4.3/10 Interfaces

Bulletin 7828009 Revision B Page 1 of 1

CommScope Infrastructure Academy offers installation training.

Description

Surge Arrestors are designed to protect equipment from damaging transients induced by lightning strikes. These arrestors are available for use in several frequency bands and a variety of interface combinations. The operating bandwidth is specified on each arrestor.

Installation

The arrestor is a bidirectional RF device. Thus either RF port may be connected to the equipment side or the antenna side of the transmission line interface to provide equivalent protection. Do not leave the Surge Arrestor RF ports exposed in outdoor applications.

The arrestor grounding stud must be attached to a master ground bar or the system's earth ground ring to ensure a low impedance path to ground.

During installation, all grounding contact surfaces must be clean, dry, and free of oxidation.

Note: To prevent corrosion near areas of severe industrial pollution, surge arrestors installed outdoors must be wrapped with weatherproofing tape.

Microwave Performance Testing

Surge Arrestors can be readily tested for microwave performance using any network analyzer. VSWR (return loss) and insertion loss are specified for the operating bandwidth only. Fault location testing can be performed through the arrestor with the appropriate test equipment; that is, a vector network analyzer with time domain capability. Some test equipment manufacturers refer to this type of fault location testing as Frequency Domain Reflectometry (FDR).

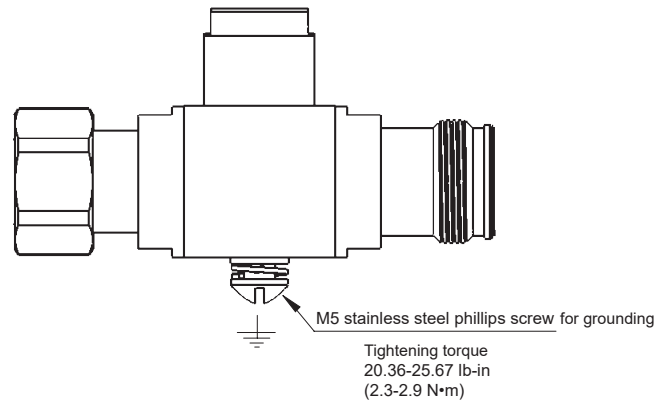
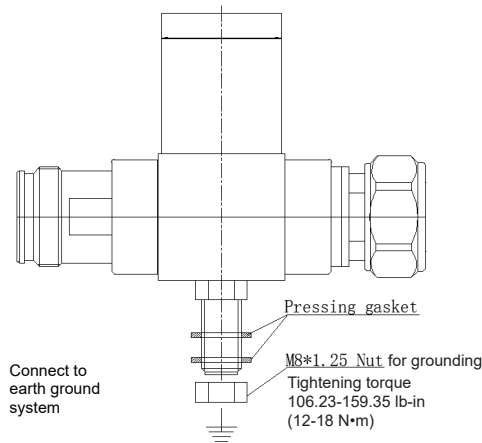
Surge Performance Testing


Surge Arrestors are constructed using extremely reliable quarter-wave technology and do not contain expendable devices that require periodic maintenance.

Notice

The installation, maintenance, or removal of antenna systems requires qualified, experienced personnel. CommScope installation instructions are written for such personnel. Antenna systems should be inspected once a year by qualified personnel to verify proper installation, maintenance, and condition of equipment.

CommScope disclaims any liability or responsibility for the results of improper or unsafe installation practices.



	表一 有毒有害物质或元素名称及含量标识格式					
	有毒有害物质或元素					
部件名称 (Part Name)	铅 (Pb)	汞 (Hg)	镉 (Cd)	六价铬 (Cr6+)	多溴联苯 (PBB)	多溴二苯醚 (PBDE)
连接器 (Connector)	X	O	O	O	O	O

O: 表示有毒有害物质在该部件所有的均质材料中的含量均在SJ/T 11363-2006规定的限量要求以下。
X: 表示该有毒有害物质至少在该部件的某一均质材料中的含量超出SJ/T 11363-2006规定的限量要求。

PN	Interface type	Interface Tightening torque	Grounding Screw/Nuts	Grounding Screw/Nuts Tightening torque
APT-HFHM	4.3-10	5-10Nm	M8*1.25 nuts	12-18Nm
APT-HFHM-CB	4.3-10	5-10Nm	M5 phillips screw	2.3-2.9Nm

CommScope

1100 CommScope Place SE P.O. Box 339, Hickory, NC 28603-0339
(828) 324-2200 (800) 982-1708
www.commscope.com

Customer Service 24 hours

North America: +1-800-255-1479 (toll free)
Any country: +1-779-435-6500
email: acicustomersupportcenter@commscope.com

Notice: CommScope disclaims any liability or responsibility for the results of improper or unsafe installation, inspection, maintenance, or removal practices.
Aviso: CommScope no acepta ninguna obligación ni responsabilidad como resultado de prácticas incorrectas o peligrosas de instalación, inspección, mantenimiento o retiro.
Avis: CommScope décline toute responsabilité pour les conséquences de procédures d'installation, d'inspection, d'entretien ou de retrait incorrectes ou dangereuses.
Hinweis: CommScope lehnt jede Haftung oder Verantwortung für Schäden ab, die aufgrund unsachgemäßer Installation, Überprüfung, Wartung oder Demontage auftreten.
Atenção: A CommScope abdica do direito de toda responsabilidade pelos resultados de práticas inadequadas e sem segurança de instalação, inspeção, manutenção ou remoção.
Avvertenza: CommScope declina eventuali responsabilità derivanti dall'esecuzione di procedure di installazione, ispezione, manutenzione e smontaggio improprie o poco sicure.
注意: CommScope 公司申明對於不恰當或不安全的安裝、檢驗、維修或拆卸操作所導致的後果不負責任 何義務和責任

