



## SYSTIMAX® M10MMFP Multimedia Faceplate Instructions

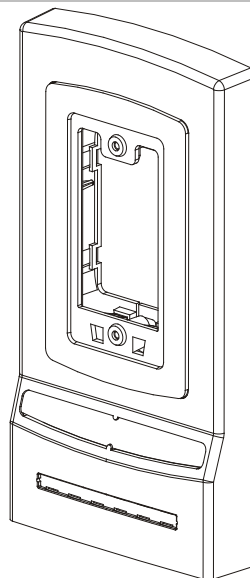
### General

The **SYSTIMAX®** M10MMFP multimedia faceplate brings copper and fiber to a common faceplate, in an existing or new installation. It works with up to six port single-gang modular faceplates, and may be configured with **ST®**, **SC**, or **LC** couplers, in various densities. Adapter plates are provided for use with two SC Duplex, four LC Duplex, or the high density modular couplers available in **ST**, **SC**, and **LC** configurations.

The multimedia faceplate enables independent access to either copper or fiber terminations on the wall side of the unit. It may be installed in existing copper networks without disconnecting or removing the modular jacks from the faceplate. The faceplate base has a convenient pivot and snap mount that permits easy access to the copper terminations from the back of the faceplate. The snap-on cover provides labeling features such as a paper label for circuit identification, and plastic icon strip recess, compatible with the **SYSTIMAX** multi-color plastic icon strips.

Ordering information is listed below:

Material ID	Part No.	Description
108502287	M10MMFP-003	Multimedia faceplate – Black
108502295	M10MMFP-215	Multimedia faceplate – Creme
108502303	M10MMFP-246	Multimedia faceplate – Ivory
108502329	M10MMFP-262	Multimedia faceplate – White
108502337	M10MMFP-270	Multimedia faceplate – Gray



**M10MMFP Multimedia Faceplate**

---

## How to Contact Us

- To find out more about **CommScope**<sup>®</sup> products, visit us on the web at <http://www.commscope.com/>
- For technical assistance:
  - Within the United States, contact your local account representative or technical support at 1-800-344-0223. Outside the United States, contact your local account representative or Authorized Business Partner.
  - Within the United States, report any missing/damaged parts or any other issues to **CommScope** Customer Claims at 1-866-539-2795. Outside the United States, contact your local account representative or Authorized Business Partner.

## Tools Required

- Phillips screwdriver
- Straight blade screwdriver
- Fiber termination equipment
- Side cutters.

## Parts List

Verify parts with the list below.

Quantity	Description
1	Cover
1	Faceplate base
1	Base
1	SC coupler adapter plate
1	<b>LC</b> coupler adapter plate
1	Module adapter plate
2	1-¼ inch truss head screws
4	K35 by 12mm pan-head Phillips <b>PT</b> <sup>®</sup> screws
2	Cable ties
1	Label
1	Clear label cover
1	Instruction sheet
1 ea	Plastic icon strips in 9 colors (Gray, Blue, Green, Yellow, Orange, Red, White, Brown, and Purple)

---

## Separately Orderable Parts

Material ID	Part No.	Quantity	Description	Used With
108547282	-	25	Labels, in poly bag	M10MMFP
107118903	C6061A-4	1	Coupling, SC, mm, duplex, Beige, metal sleeve	SC adapter plate
107087967	C6070A-4	1	Coupling, SC/ <b>ST</b> Hybrid, mm, duplex, Beige, metal sleeve	SC adapter plate
108072497	C1001B-2	1	Coupling, <b>LC</b> , mm, duplex, Beige, low profile	<b>LC</b> adapter plate
108168808	C6MMST-10PK	10	Adapter coupling assembly 6-port, mm, <b>ST</b>	Module adapter plate
108168774	C6MMSC-10PK	10	Adapter coupling assembly, 6-port, mm, SC	Module adapter plate
108168824	C12MMLC-10PK	10	Adapter coupling assembly, 12-port, mm, <b>LC</b>	Module adapter plate
760068692	M10MMFP-CVR	1	Protective metal cover	M10MMFP

## Important Safety Instructions

When installing and using this product, basic safety precautions should always be followed to reduce the risk of fire, electric shock, and injury to persons, including the following:

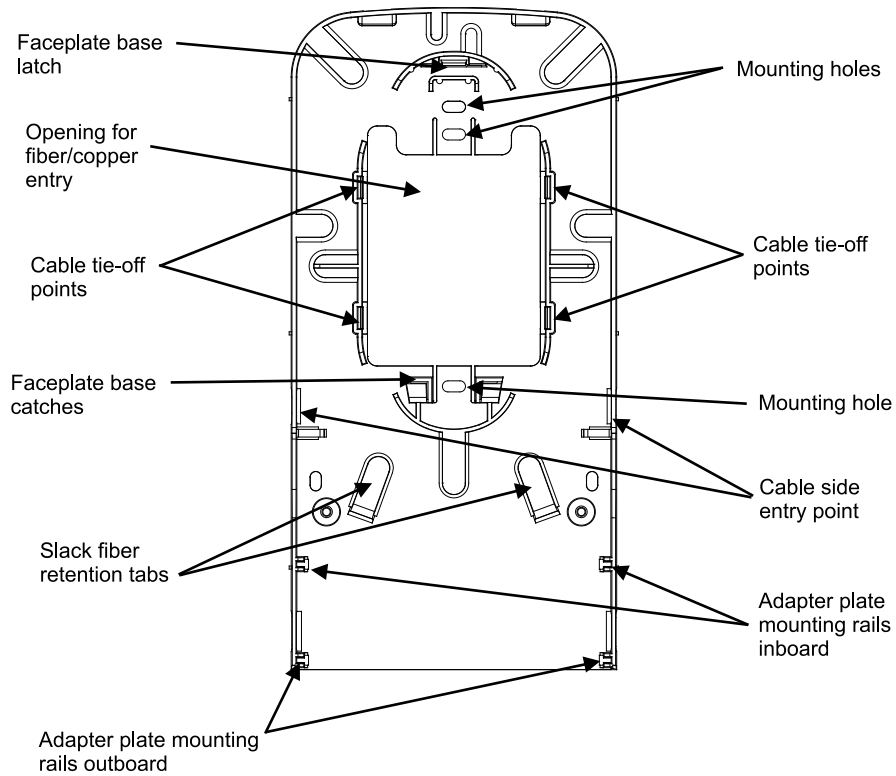


### CAUTION:

All cabling that connects to this equipment must meet applicable local and national building codes and network cabling standards for communications cable.

1. Read and understand all instructions.
2. Never install cable, connectors, or jacks in a wet location unless they are specifically designed for wet locations.
3. Never install this product during a lightning storm. There is a remote risk of electric shock from lightning.
4. Never touch uninsulated live communication wires or terminals. They must be disconnected first.
5. Be careful terminating fiber optic cable. The small fiber is sharp and can penetrate skin or eyes.
6. Do not look into a fiber optic cable unless you are 100% sure it is not active. Laser light can do permanent damage to your eyes.
7. Wear proper eye protection when terminating fiber optic cable and when using power and hand tools. Follow all safety instructions provided with the tools and materials.
8. Install only approved devices in the faceplate.
9. Flip-up dust covers on cabled inboard coupler module ports must be removed prior to installation of cover.

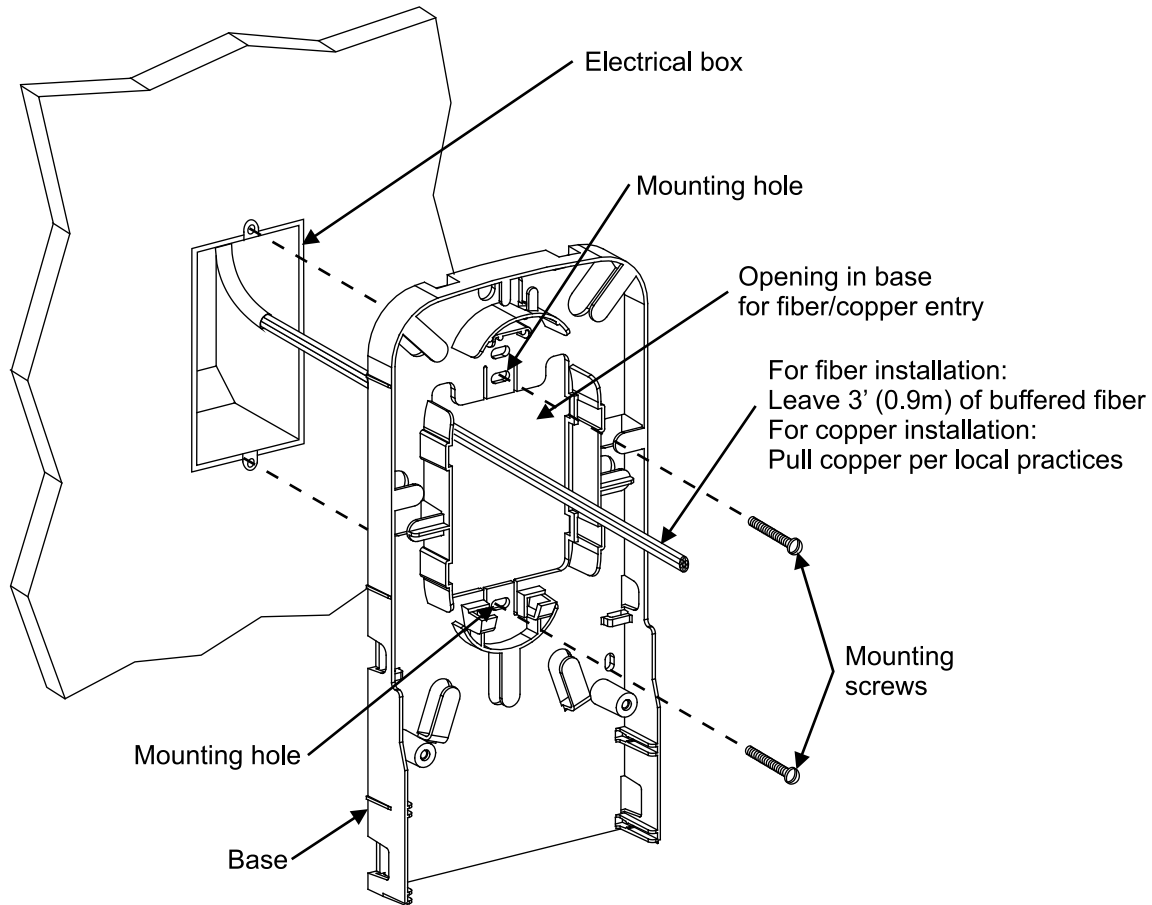
## Base Features



The base attaches to a wall outlet box or to a flat surface using the alternate mounting holes. It provides slack storage for the fiber, four cable attachment points for rear entrance cables, two cable attachment points for side entrance cable, mounting rails for the coupling adapter plates, mounting features for the faceplate base, cover attachment features, and side cutouts for side entrance of cable. See figure above.

## New Installation

### Step 1 – Install Base (Copper and Fiber Installation)



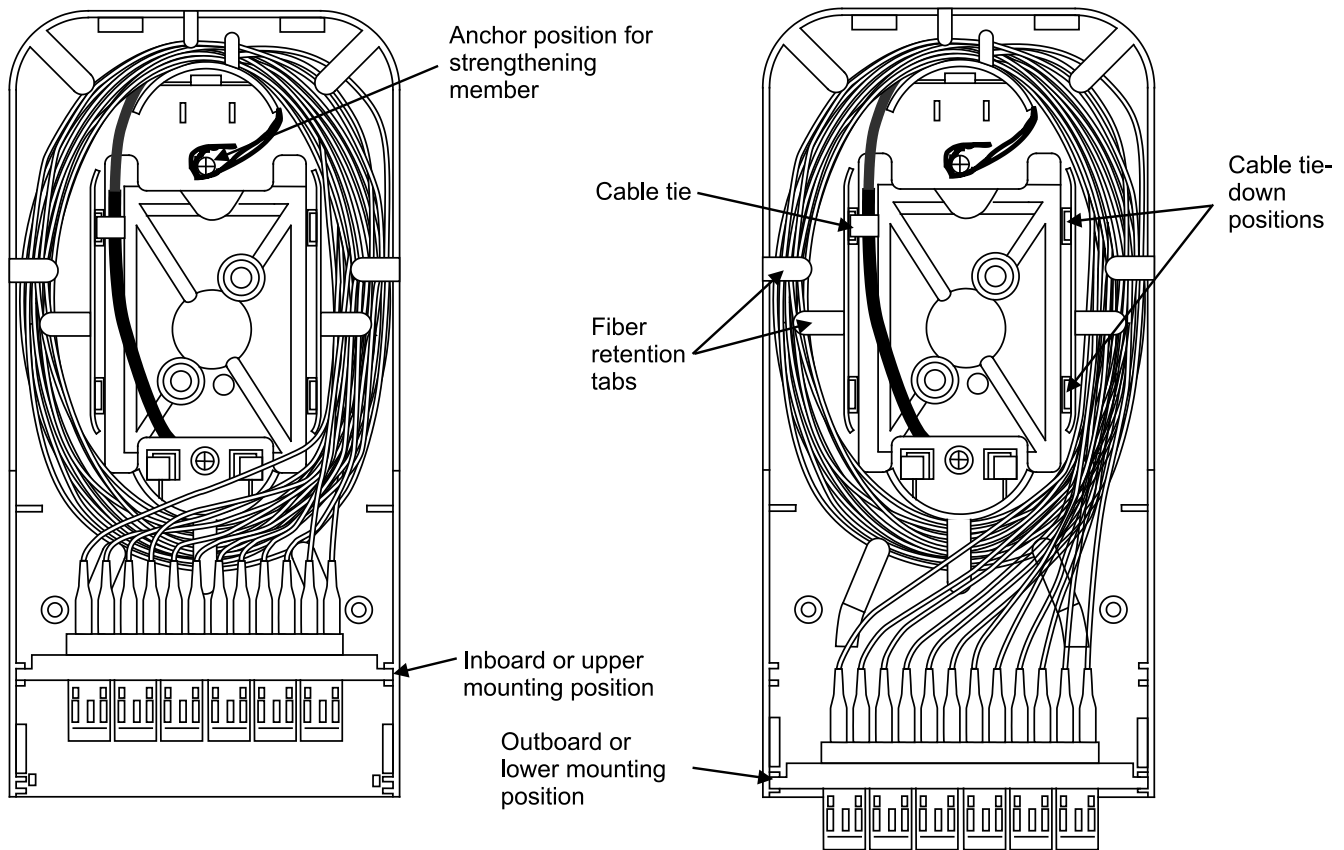
#### For Fiber Cable

1. Insert fiber cable(s) through opening in base, ensuring at least 3 feet (0.9m) of fiber cable extends through base.
2. Attach base to outlet box or framing using two 1-1/4 inch truss-head screws (provided).

#### For Copper Cable

1. Install and prep copper cables per local practices and insert cables through opening in base.
2. Attach base to outlet box or framing using two 1-1/4 inch truss-head screws (provided).

## Step 2a – Fiber Cable Installation



### Inboard (Upper) Mounting Position

### Outboard (Lower) Mounting Position

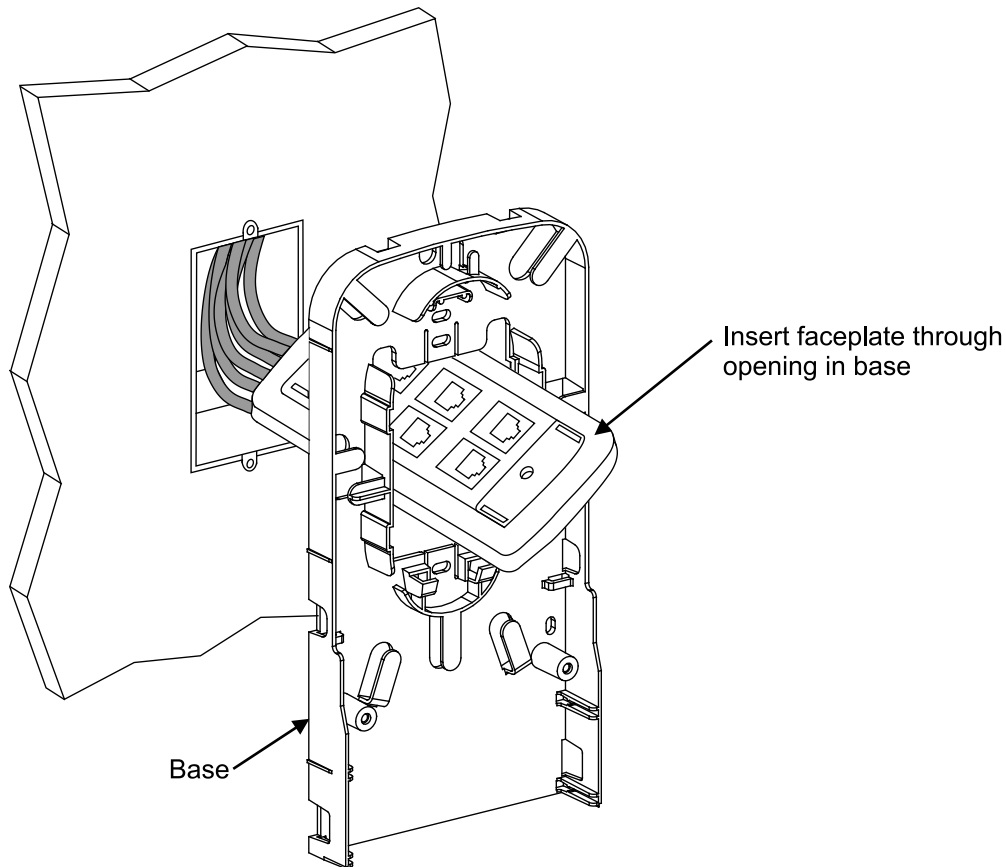
1. Anchor fiber cable to one of the tie-down points around the perimeter of the base opening, using a small cable tie (provided). Ensure that the jacket extends 1/4- to 1/2-inch (6 to 13mm) beyond the cable tie to protect the buffered fibers from sharp bends.
2. The strengthening member may be looped over or around the slack drum and anchored under the mounting screw if desired (see above figure).
3. Strip 3 feet (0.9m) of jacket from the fiber cable(s).
3. Snap fiber couplers into compatible adapter plate (provided) as shown above.
4. Terminate individual fibers with appropriate connectors per instructions provided with the connectors. It is advisable to plug each completed fiber connector into the proper location in the coupler as the termination is completed. When all terminations have been completed, wind the fiber slack, starting at the cable tie-off point around the inside of the base.
5. Snap the adapter plate into either the upper or lower mounting positions. Use the inboard (upper) mounting position if ease of access is desired and the additional mechanical protection of the connectors is not deemed necessary. The figure above shows the adapter plate/coupling assembly in each mounting position, with slack dressed appropriately.
6. Ensure that the individual fibers are contained within the slack retaining tabs on the base.

## Step 2b – Copper Cable Installation

1. Strip the copper cordage per local practices for attachment to modular outlets and terminate to the modular jacks.
2. Feed the terminated cordage and jacks through the back of the faceplate base and snap the individual modules into the faceplate.
3. Attach the faceplate base to the base (which was previously installed on the outlet box) by fitting the hooks on the bottom of the faceplate base into the catches on the base. Ensure the conductors are clear of the faceplate base catches and latch before engaging. Pivot the faceplate base up and press in until the latch at the top engages with the base catch.
4. Proceed to Step 3 on page 10 to install cover over faceplate and complete the installation.

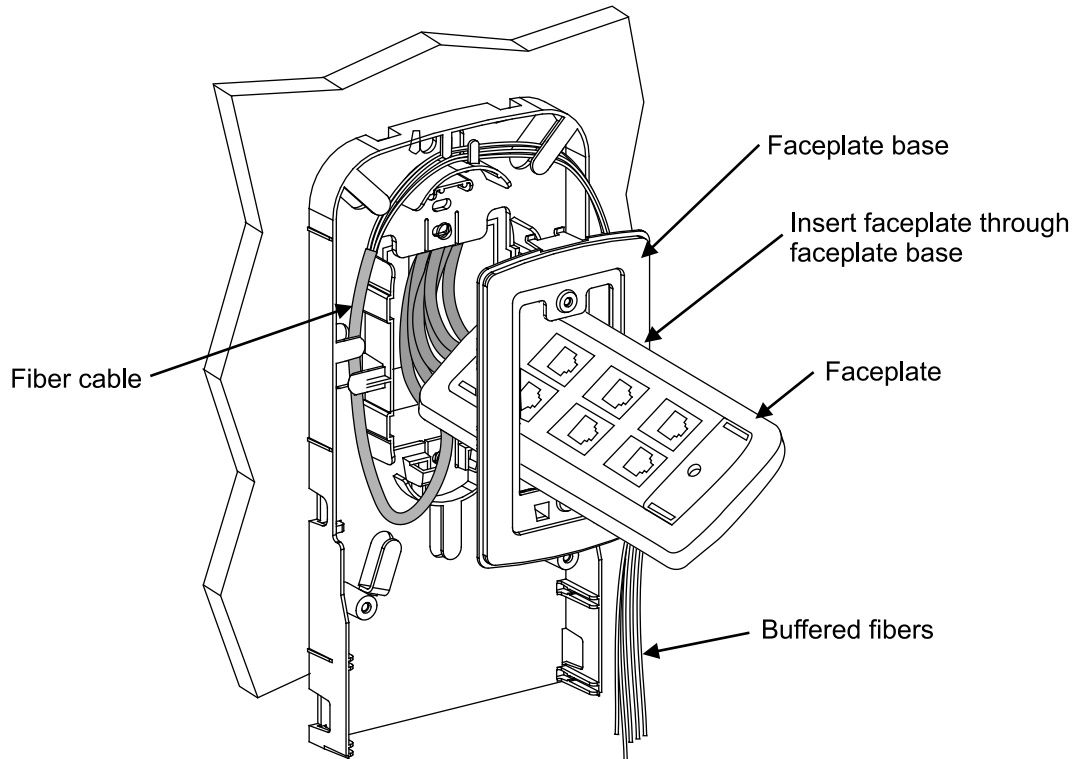
## Installation in Existing Construction (Retrofit)

### Step 1 – Remove Existing Faceplate and Install Base



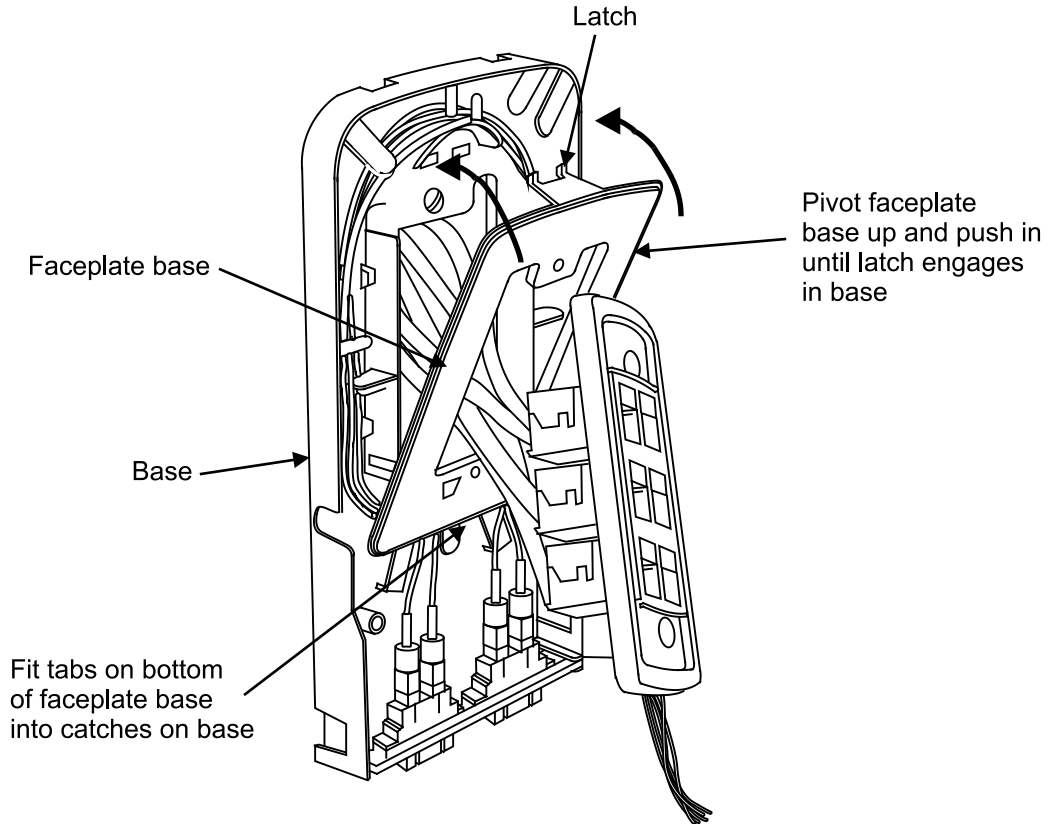
1. Unplug modular plugs from faceplate jacks.
2. Unscrew faceplate from wall outlet or framing.
3. Pull faceplate away from outlet box to provide sufficient slack for the next step.  
**Note:** It is assumed the fiber cable has been installed or will now be installed to this wall outlet.
4. Feed the faceplate and fiber cable through rear of base as shown above.
5. Attach base to wall box or frame using faceplate screws or 1-1/4 inch truss-head machine screws (provided).

## Step 2 – Install Faceplate Base and Route New Fiber Cables



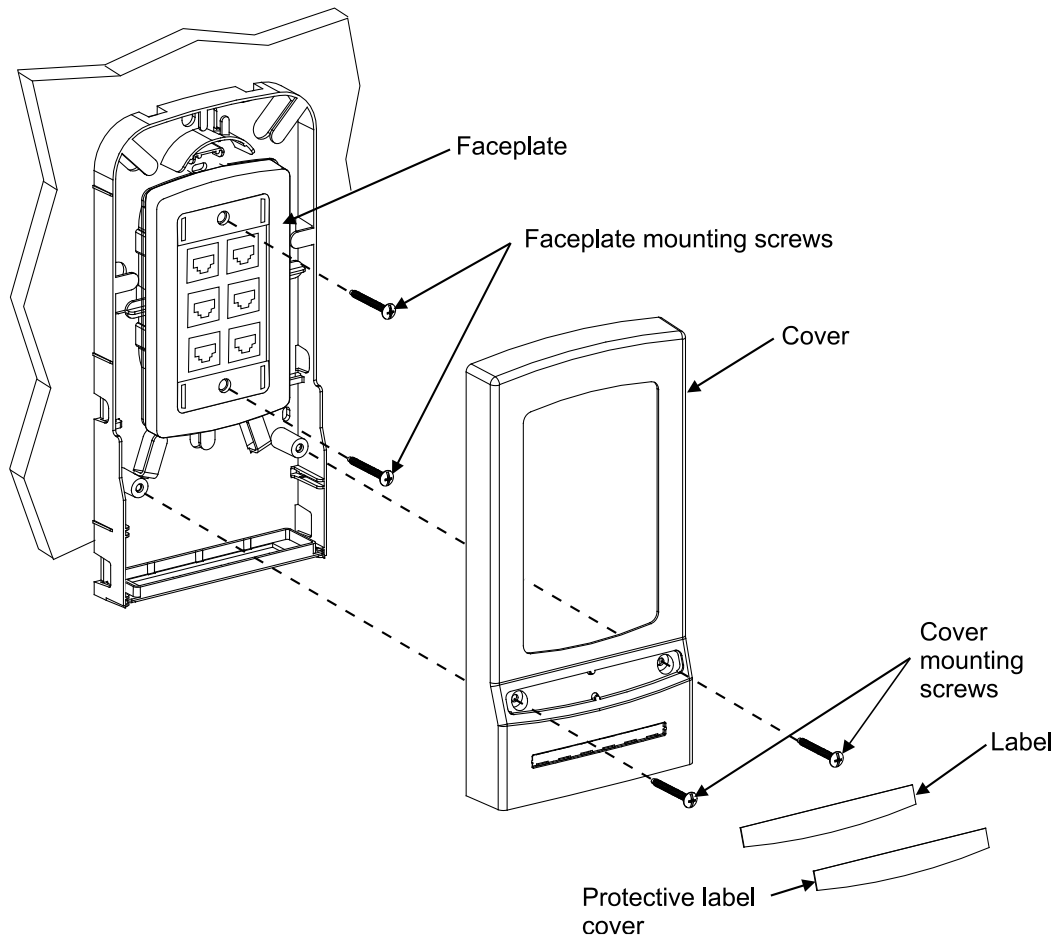
1. Strip 3 feet (1 meter) of jacket from the fiber cable.
2. Attach fiber cable to base using a cable tie at one of the cable tie down points around the inside of the slack drum. The jacket should extend 1/4-to 1/2-inch (6 to 13mm) past the cable tie.
3. Terminate fibers with the appropriate connectors and plug into the adapter plate couplers.
4. Loop the slack fiber around the take-up spool and snap the coupler plate into the desired position (inboard or outboard) on the base.
5. Feed faceplate through back of faceplate base as shown in figure above.





6. Fit hooks on bottom of faceplate base into catches on base. Ensure that the slack fibers are clear of the faceplate base catches and latch before engaging. Pivot faceplate base up and press the top of the faceplate base in until the latch at the top engages with the base engage. Above figure shows how the faceplate base fits into base, rotates, and snaps to lock in place.

### Step 3 – Secure Faceplate and Install Cover

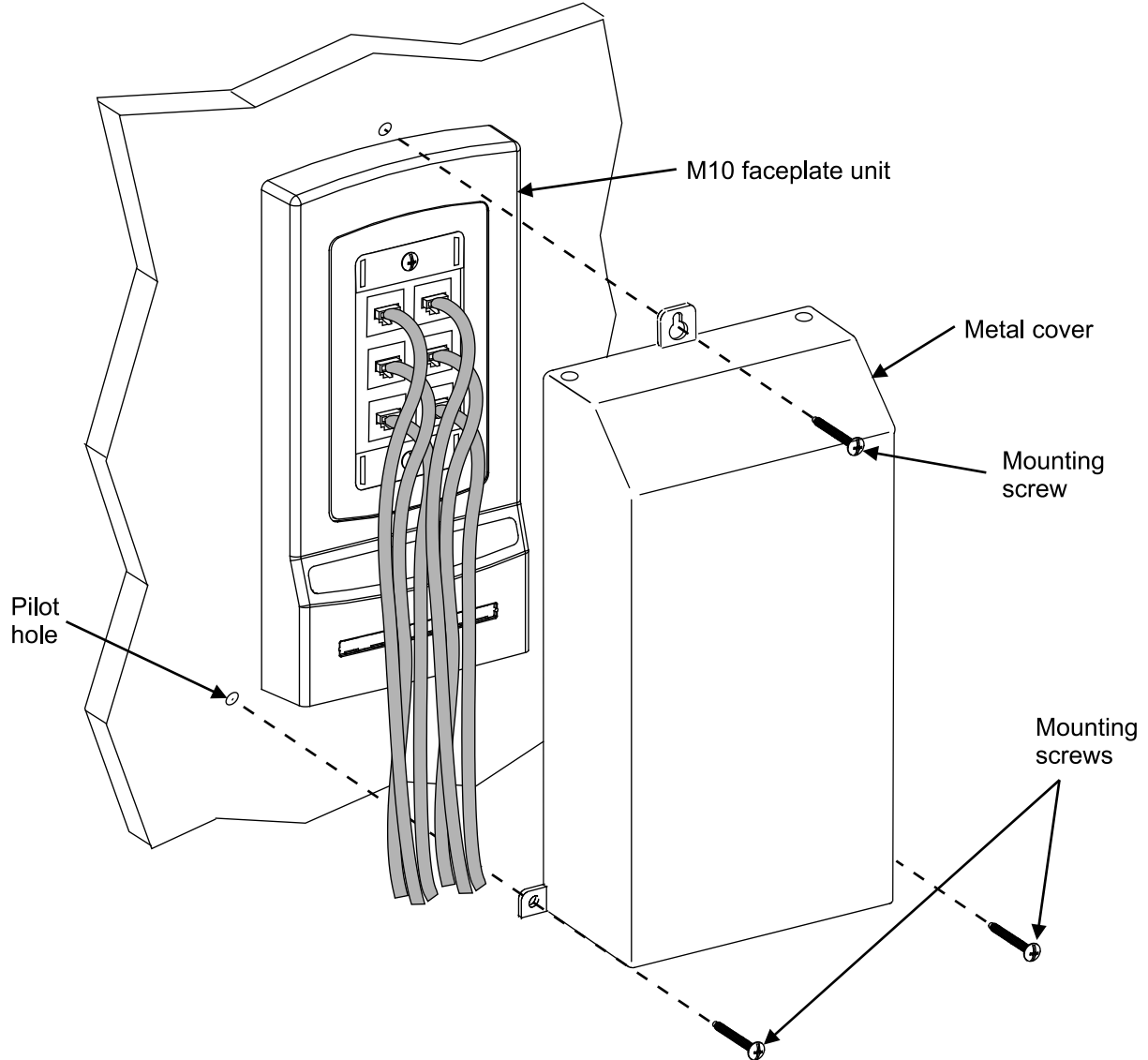


1. Attach the faceplate to the faceplate base using two 1/2-inch Phillips Pan-Head **PT** screws (provided).
2. Attach the cover to the base by engaging the hooks located at the inside top of the cover with the slots located at the top of the base. The cover may now be swung down and snapped onto the base.
3. If additional tamper resistance is desired, the cover may be secured using two 1/2-inch Phillips Pan-Head **PT** screws (provided). These screws are installed through the screw openings in the label recess. The screw heads will be hidden when the label is installed.

### Faceplate Disassembly

1. Remove label cover by carefully pushing it to the side with a small screwdriver or fingertip.
2. Remove cover by grasping the sides near the bottom and pulling out and up, which releases the cover side catches and then the cover top catches.
3. Remove faceplate base by inserting a straight bladed screwdriver into the top latch recess and raising the screwdriver handle slightly, which releases the faceplate base latch from the base. The latch recess is located at the top of the faceplate base just below the top slack drum. Pivot the faceplate base assembly out and up to remove it from the base. This will provide access to the copper modules without removing the faceplate from the faceplate base.
4. Remove fiber coupling adapter plates by grasping the end of the plate and pulling away from the base.

## Step 4 –Install Optional Protective Metal Cover



1. Position metal cover in front of faceplate unit as shown above.
2. Slide cover over faceplate, ensuring no cables are crimped under the edges.
3. Mark mounting hole locations per the three mounting tabs furnished on the cover, then remove cover.
4. Drill appropriate pilot holes for the mounting screws being used. Mounting screws are not furnished; obtain locally.
5. Reposition cover and secure over the faceplate using three mounting screws.