

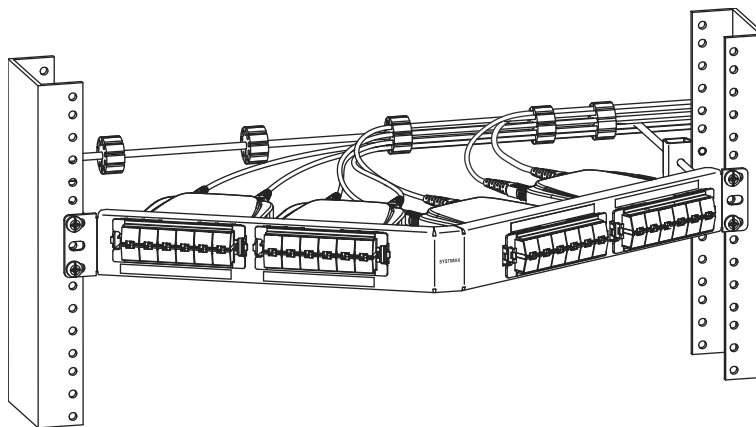
## SYSTIMAX® 1100A Angled Fiber Termination Panel with Fiber Management Bar

### General

The **SYSTIMAX® 1100A** angled fiber termination panel is a 19" wide x 1.75" high (483mm x 44mm) 1U panel designed to accept **360 InstaPATCH® Plus** modules and a variety of available MPO adapters and blank panels. The angular panel configuration matches that of **SYSTIMAX** copper panel offerings. The panel is **iPatch®** ready and is intended for indoor use or can be used outdoors in a suitable protective enclosure.

Ordering information is listed below:

Material ID	Part No.	Description
760198614	1100A-FIBER-IPR-1U	1100A angled fiber termination panel



**SYSTIMAX® 1100A Angled Fiber Termination Panel**

### How to Contact Us

- To find out more about **CommScope®** products, visit us on the web at [www.commscope.com/](http://www.commscope.com/)
- For technical assistance:
  - Within the United States, contact your local account representative or technical support at 1-800-344-0223. Outside the United States, contact your local account representative or **PartnerPRO™** Network Partner.
  - Within the United States, report any missing/damaged parts or any other issues to **CommScope** Customer Claims at 1-866-539-2795 or email to [claims@commscope.com](mailto:claims@commscope.com). Outside the United States, contact your local account representative or **PartnerPRO** Network Partner.

### Tools Required

- Philips screwdriver



## Optional Tools

- Fiber optic connector cleaning and inspection kit (760053199)
- Fiber optic connector cleaning and inspection consumables (760053207)

## Parts List

Verify parts against the parts list below:

Quantity	Description
1	1U angled panel
1	Fiber management bar with brackets
1	Retainer kit
4	Fiber routing clips
4	#12-24 x 1/2" screws (for 19" and 23" rack/cabinet mounting)
4	M6 x 12 screws (for ETSI rack/cabinet mounting)
1	Instruction sheet

## Related Components for 1100A Angled Panel

Ordering information for available accessories is listed below.

Material ID	Product No.	Description
760032102	MODG2-BLANK	G2 modular blank panel bezel (package of 4)
760032110	MODG2-MGS	G2 modular MGS bezel (package of 4)
760039875	G2-SRF	Liquid-tight cable fitting kit for small-diameter cables
760039883	G2-23BRKT	Frame mounting bracket kit for 23" frames and ETSI frames
760107482	DP360-BLANK	<b>360 InstaPATCH</b> blank panel (package of 4)
760107490	DP360-2MPO	<b>360 InstaPATCH</b> 2 MPO adapter panel
760107508	DP360-4MPO	<b>360 InstaPATCH</b> 4 MPO adapter panel
760107516	DP360-6MPO	<b>360 InstaPATCH</b> 6 MPO adapter panel
760107524	DP360-8MPO	<b>360 InstaPATCH</b> 8 MPO adapter panel
760058677	RMB-6-1/2	<b>InstaPATCH</b> Plus attachment bracket, rack mounted, 6 1/2" fittings
760058685	RMB-6-3/8	<b>InstaPATCH</b> Plus attachment bracket, rack mounted, 6 3/8" fittings

**Note:** Contact your **SYSTIMAX** sales representative for more information on a wide variety of modules, panels, trunk cables and accessories that are compatible with these panels.

## Precautions

- **360 InstaPATCH Plus** modules contain fiber optic cable and passive optical components. When removed from protective packing, they should be handled carefully and installed in appropriate racks for mechanical support and protection.
- **360 InstaPATCH Plus** modules require virtually no maintenance to maintain their performance. They contain no user-serviceable components, and any damage to the anti-tamper label or removal of top cover or front adapter mounting panel will void the warranty.
- Fiber optic trunk cable and jumper performance is sensitive to bending, pulling, and crushing. Minimum bend radius must be maintained during installation per the manufacturer's specification. Appropriate pulling grips must be used during installation, and pulling forces shall not exceed manufacturer's recommendations. Use caution to avoid kinking trunk cables.
- Care should be taken not to compromise the stability of the rack by installation of this equipment.
- To be installed in restricted access areas only.

## CAUTIONS

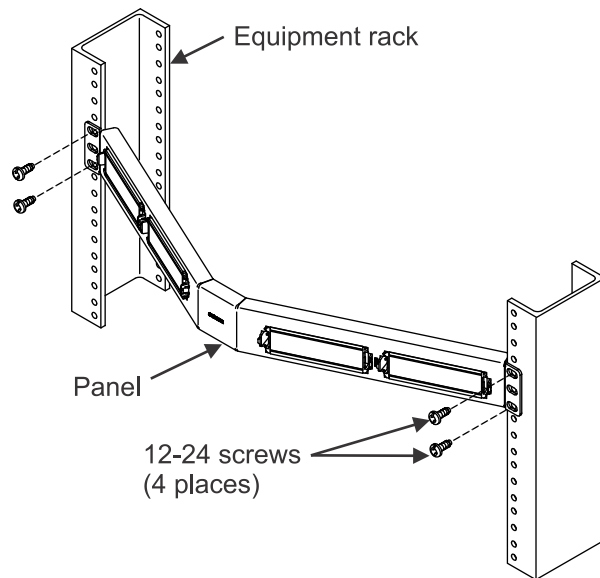
- Isopropyl Alcohol is flammable, and can cause eye irritation on contact. If eye contact occurs, flush with water for at least 15 minutes. In case of ingestion, consult a physician. Use only in well ventilated areas.
- Disconnected optical components may emit invisible optical radiation that can damage your eyes. Never look directly into an optical component that may have a laser coupled to it. Serious and permanent retinal damage is possible. If accidental exposure to laser radiation is suspected, consult a physician for an eye examination.
- Wearing safety glasses during installation of this panel is recommended. Although standard safety glasses provide no protection from potential optical radiation, they offer protection from accidental airborne hardware and cleaning solvents.

## Connector Cleaning

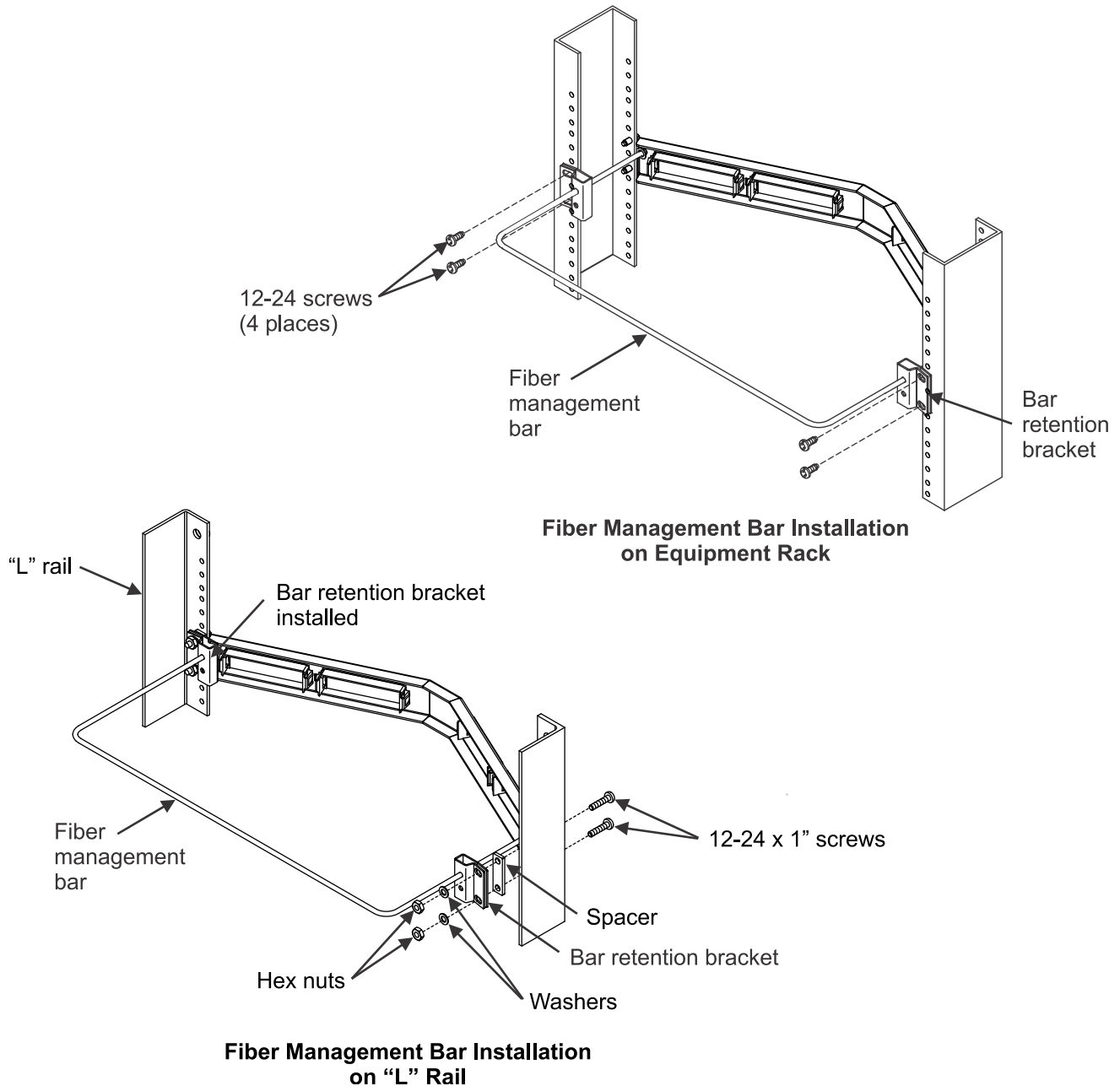
- **360 InstaPATCH Plus** modules are pre-terminated, with either protective dust caps (SC) or integral hinged shutters (LC) installed on all adapters. Connectors internal to the adapters are clean when purchased.
- Clean trunk cable and jumper connectors per manufacturer's recommendations prior to connection to the panel.
- If trunk cables or jumpers are removed, replace provided dust caps (SC) on the adapters to protect the internal connectors.

## Step 1 – Mount Panel to Equipment Rack

1. Determine the rack/cabinet size and desired mounting location.
  - For 19-inch rack (as shown) – Mount panel to equipment rails using four #12-24 screws provided.
  - For 23-inch rack – Use the G2-23BRKT accessory kit (available separately) and install two conversion brackets to the panel mounting flanges, using the four #10-32 x 3/8" conversion screws included in the accessory kit. One conversion bracket and two screws per side. Mount the panel to the equipment rails using four #12-24 x 3/8" screws (provided with panel).
  - For ETSI rack – Use the G2-23BRKT accessory kit (available separately) and install one conversion bracket to either of the panel mounting flanges, using two of the four #10-32 x 3/8" conversion screws included in the accessory kit. The panel will not be centered when mounted in the rack. Mount the panel to the rack using four M6 x 12 mm screws (provided with panel).

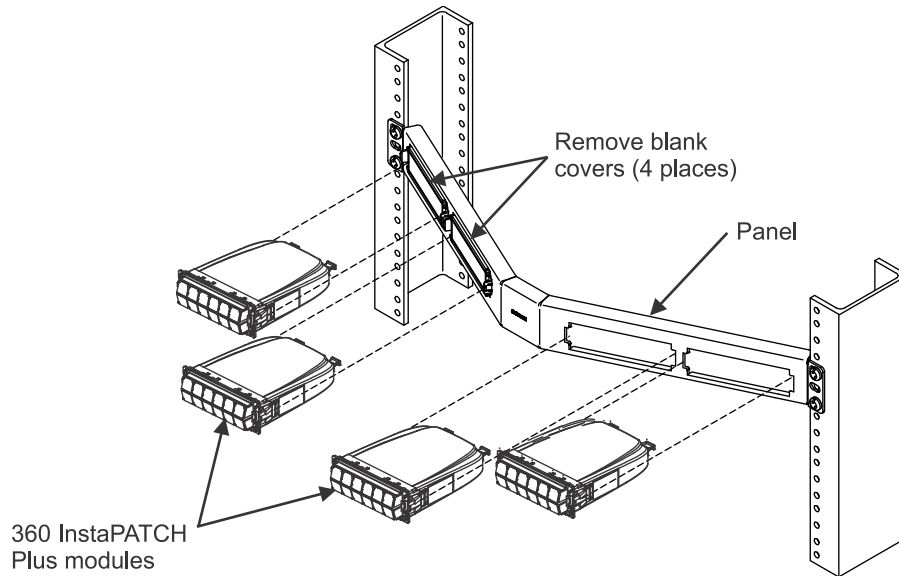


## Step 2 – Mount Fiber Management Bar to Equipment Rails



1. After panel is installed onto equipment rails, locate bar retention brackets on opposite flange of equipment rail and loosely secure them in place with two 12-24 screws each.  
**Note:** Position brackets so they are located on the same "U" increment as the panel.
3. Slide bar into brackets until it contacts the back side of the panel.
4. Fully tighten four 12-24 screws to secure bar in position.  
**Note:** To use the fiber management system in a cabinet or rack using an L-shaped rail as opposed to a channel shaped rail, a hardware kit (760110098) is provided. Assembly is shown in the bottom figure.

### Step 3 – Install Modules

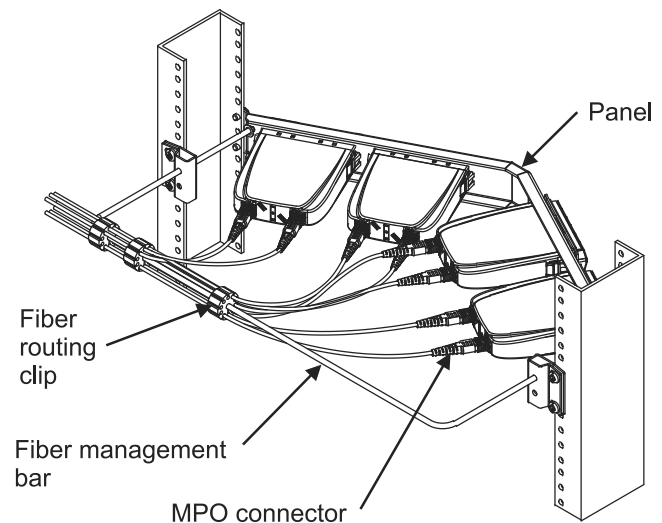


1. Remove blank covers from panel openings at desired locations.
2. Position module in ALPHA or BETA orientation as required and slide into opening in panel until latches engage with an audible click.
3. Repeat for remaining positions.

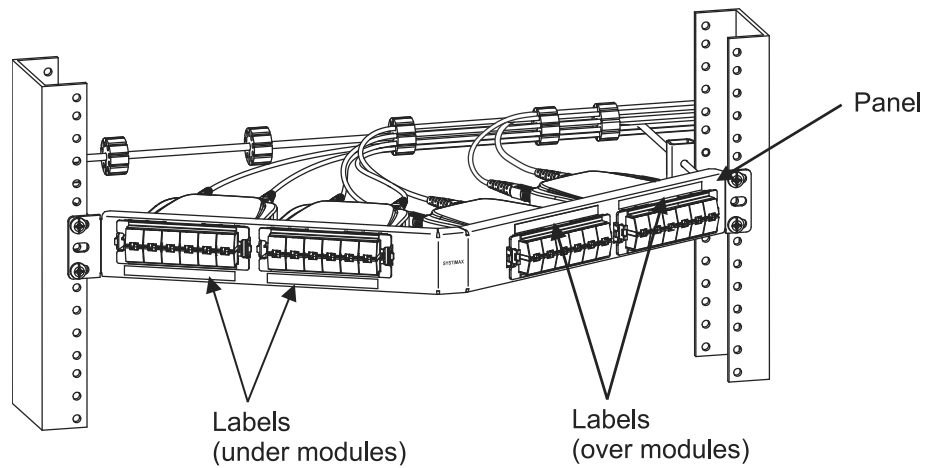
### Step 4 – Install and Route Trunk Cables

1. Terminate MPO connectors into modules.
2. Slip fiber routing clips over fiber management bar approximately where required.
3. Spread open a slot position provided on fiber routing clip and secure fiber cable inside.
4. Repeat until all cables are secured and adjust position of clips as required for a smooth routing.

**Note:** It is recommended to begin routing fiber cables from the module nearest the side of planned fiber exit and work toward module furthest away.



## Step 5 – Install Labels



1. Affix labels to front surface of panel as shown above.

**Note:** Position labels over modules on right side of panel and under modules on left side of panel.

2. Labels included with modules may be used or printable label templates are available on the **CommScope** website, which can be used along with available label stock to create finished port numbering labels.

**Note:** To print a designation label, go to <http://www.commscope.com/Resources/Labeling-Templates> and scroll down to the **360G2 Panels and Shelves** and select the appropriate label template.