

# Installation Instructions

## MT-SOLENOID

### Description

Solenoid Valve Replacement for MT050C/MT500D

### Notice

The installation, maintenance or removal of dehydrator systems requires qualified, experienced personnel. Commscope installation instructions have been written for such personnel. Dehydrator systems should be inspected once a year by qualified personnel to verify proper installation, maintenance, and condition of equipment.

Commscope disclaims any liability or responsibility for the results of improper or unsafe installation practices.

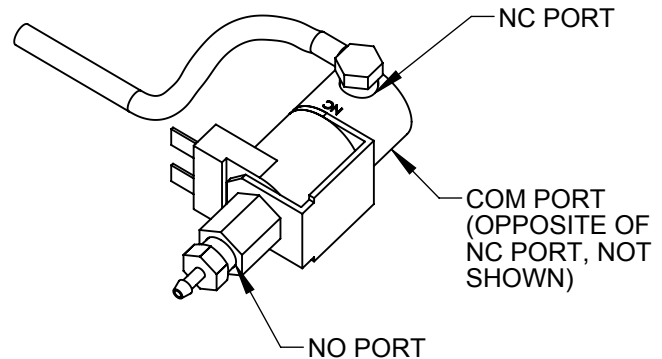


Table 1. Parts List

Item	Description	Qty
1	Solenoid Valve Assembly	1
2	Installation Instruction	1
3		
4		
5		
6		



#### Main Hazards – Health Effects

**Eyes:** May cause irritation.

**Inhalation:** Viscous nature may block breathing passages if inhaled.

**Ingestion:** May cause diarrhoea.

**Skin:** For hypersensitive persons, may irritate the skin after long periods of contact.

**Respiratory Protection:** None needed.

**Hand Protection:** Protective gloves for hypersensitive persons.

**Eye Protection:** Glasses, if applied to parts in motion.

**Body Protection:** Overalls.

### Tools Required

Phillips Screwdriver

### Andrew Solutions

#### Customer Service 24 hours

U.S.A., Canada, Mexico: 1-800-255-1479

or 1-888-235-5732

U.K.: 0800 250055

Other Europe: +44 592 782 612

### www.commscope.com

Visit our Web site at [www.commscope.com/andrew](http://www.commscope.com/andrew) or contact your local Andrew Solutions representative for more information.

© 2008 Commscope, Inc. All rights reserved.

Andrew Solutions is a trademark of Commscope. All trademarks identified by ® or ™ are registered trademarks or trademarks, respectively, of Commscope. This document is for planning purposes only and is not intended to modify or supplement any specifications or warranties relating to Andrew Solutions products or services.

Notice: Andrew disclaims any liability or responsibility for the results of improper or unsafe installation, inspection, maintenance, or removal practices.

Aviso: Andrews no acepta ninguna obligación ni responsabilidad como resultado de practicas incorrectas o peligrosas de instalacion, inspección, mantenimiento o retire.

Avis : Andrew decline toute responsabilité pour les consequences de procedures d'installation, d'inspection, d'entretien ou de retrait incorrectes ou dangereuses.

Hinweis: Andrew lehnt jede Haftung Oder Verantwortung für Schaden ab, die aufgrund unsachgeMaBer Installation, Überprüfung, Wartung Oder Demontage auftreten.

Atencao: A Andrew abdica do direito de toda responsabilidade pelos resultados de praticas inadequadas e sem seguranca de instalacao, inspecao, manutengao ou remocao.

Awertenza: Andrew declina eventual! responsabilita dervanti dell'esecuzione di procedure di installazione, ispezione, manutenzione e smontaggio improprie o poco sicure.

注意：Andrew 公司申明對於不恰當或不安全的安裝、檢驗、維修或拆卸操作所導致的后果不負責任何義務和責任



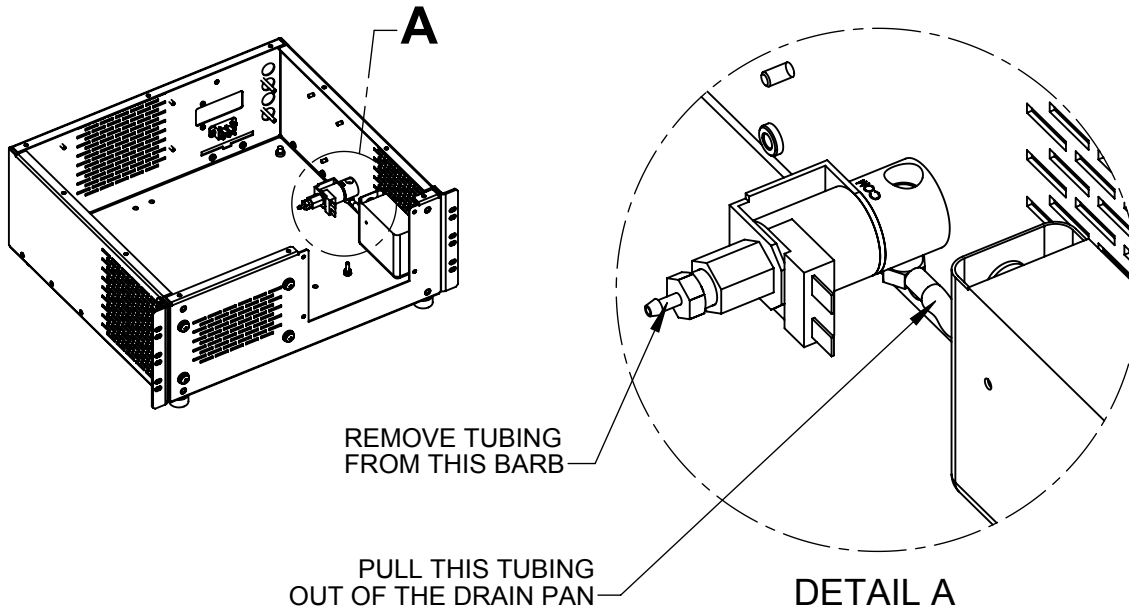
# Installation Instructions

MT-SOLENOID

page 2 of 2

Version 00 StatusRE Rev A

Model Version 03 StatusRE Rev A



1. REMOVE TUBING FROM THE NORMALLY OPEN (NO) PORT BARB.
2. REMOVE THE DRAIN TUBING FROM THE DRAIN PAN.
3. REMOVE THE TWO SCREWS SECURING THE SOLENOID VALVE.
4. REMOVE THE SOLENOID VALVE FROM THE CHASSIS.
5. INSTALL NEW SOLENOID VALVE IN REVERSE ORDER OF THESE STEPS.

