

Feed-thru Flange Kits



The Feed-Thru Flange provides a weatherproof path through a roof or wall for HELIAX® cable. A path for an accompanying antenna power cord is also provided. The flange can be mounted to metal or concrete roofs and walls, and has four 5/16 in. (8 mm) diameter mounting holes. Refer to Figure 1.

The kit consists of the flange, two rubber centering washers and a quart can of plastic elastigum.

READ THE INSTRUCTIONS THOROUGHLY BEFORE ASSEMBLY

KIT NUMBER	HELIAX SIZE	CLEARANCE HOLE D
33938-1	1/4 in., 3/8 in., 1/2 in.	2-5/8 in. (67 mm)
33938-2	7/8 in.	3-1/4 in. (83 mm)
33938-3	1-5/8 in.	4-9/16 in. (116 mm)
33938-4	3 in.	5-5/8 in. (143 mm)
33938-5	5 in.	7-1/2 in. (191 mm)

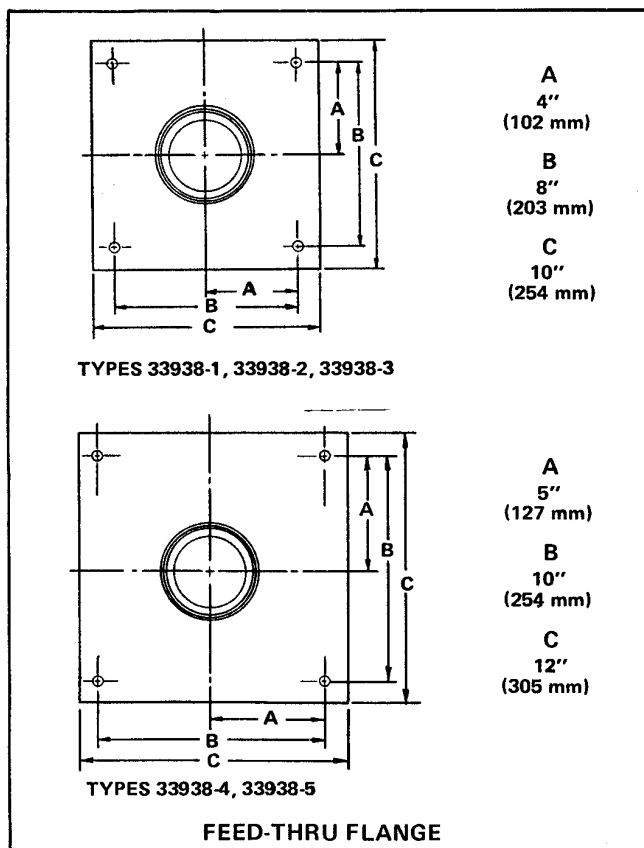


FIGURE 1

STEP 1. Place feed-thru flange on roof or wall and use it as template to mark four 5/16 in. diameter mounting hole positions plus well clearance hole.

STEP 2. Drill mounting holes through roof or wall. For mounting flange to concrete, clear holes can be drilled through concrete or bolt anchors can be inserted at mounting hole positions. See Figures 2 and 3. Cut and remove center portion from metal or concrete for cable path.

STEP 3. After all drilling and cutting is accomplished, apply generous coating of elastigum to area which will be covered by feed-thru flange. Also apply elastigum to mounting holes in flange. Weatherproofing bolt positions is extremely important.

STEP 4. Place flange into position and add mounting hardware. For metal installations, use 1/4-20 bolts, lockwashers, flat washers, and nuts obtained locally. Flat washers must be placed against inside of building. For concrete installations, use 1/4-20 long bolts or anchor bolts. Tighten bolts and apply another coating of elastigum to bolt connections, along edges of flange, and around well.

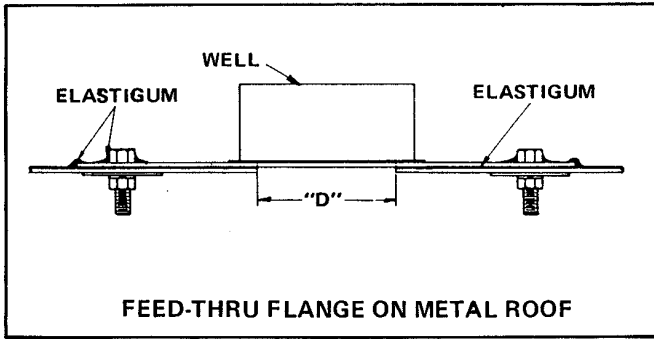


FIGURE 2

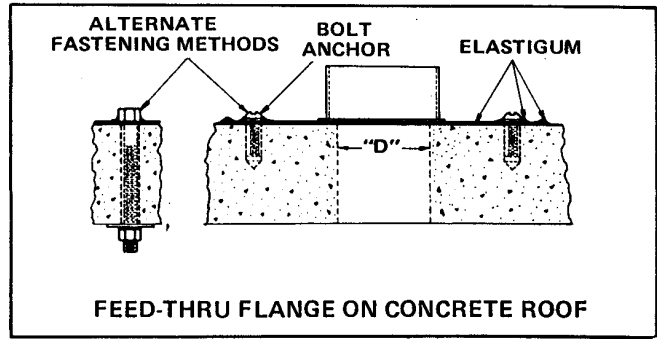


FIGURE 3

STEP 5. Insert free end of cable through well of feed-thru flange. Allow enough cable to reach transmitting equipment. Center cable by seating centering washers at bottom of well and around cable. If power cord is used, align 5/8 in. diameter holes in washers; if not, stagger washers as shown

in View A, Figure 4. When washers are in place, fill well completely with elastigum to guarantee secure and weatherproof assembly. Dome top of elastigum to permit water to roll off as shown in View B.

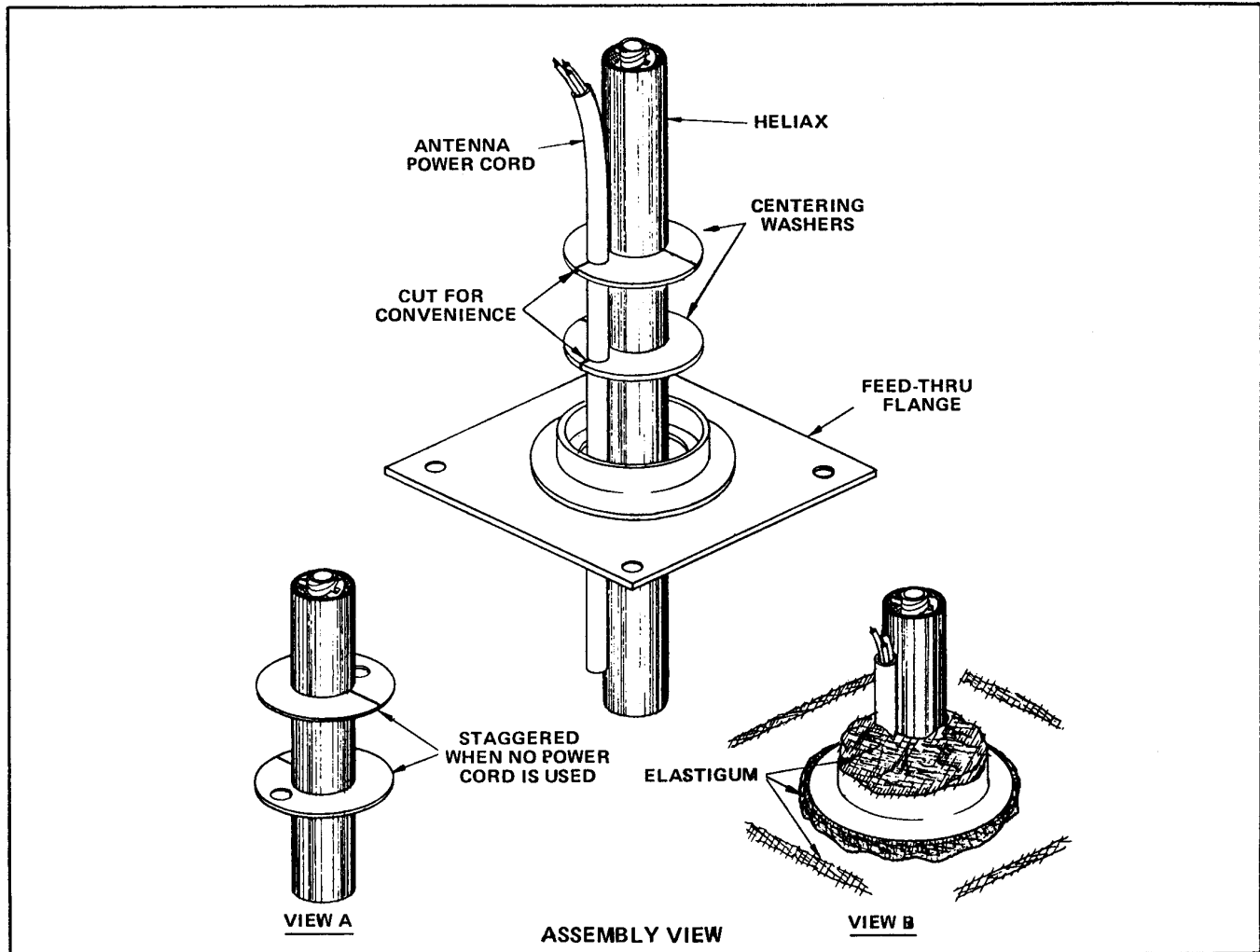


FIGURE 4



Andrew Corporation Telephone: 708/349-3300
 10500 West 153rd Street FAX (U.S.A.): 1-800-349-5444
 Orland Park, IL U.S.A. 60462 Internet: <http://www.andrew.com>

Customer Service, 24 hours: U.S.A. • Canada • Mexico: 1-800/255-1479
 U.K.: 0800 250055
 Other Europe: +44 1592 782612

Printed in U.S.A. 6/85
 Copyright © 2001 by Andrew Corporation