

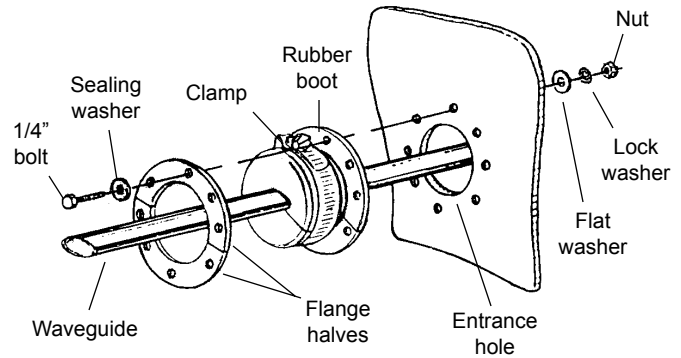
## Single Entrance

# Wall/Roof Feed-Thru Kits for HELIAX® Waveguide and Cable



### Description

These wall/roof feed-thru kits are designed to permit a weatherproof path through a roof or wall for elliptical waveguides and coaxial cables. Each kit can be mounted to metal, wood, or concrete. A kit consists of a rubber boot, two metal flange halves, sealing washers, and an adjustable clamp.



Kit number	Waveguide or cable	Entrance hole diameter in. (mm)	Bolt hole circle in. (mm)	No. of bolt holes	Boot flange diameter in. (mm)
35849A-1	EW122	2 (51)	4 (102)	8	5 (127)
35849A-2	EW107	2 (51)	4 (102)	8	5 (127)
35849A-3	EW85	2 (51)	4 (102)	8	5 (127)
35849A-4	EW71	2 (51)	4 (102)	8	5 (127)
35849A-5	EW59	3 (76)	5-1/8 (130)	8	6 (152)
35849A-6	EW56/63	3 (76)	6-11/16 (170)	12	7-1/2 (190)
35849A-7	EW44	3 (76)	6-11/16 (170)	12	7-1/2 (190)
35849A-8	EW37	4 (102)	6-11/16 (170)	12	7-1/2 (190)
35849A-9	EW20	6 (152)	9-11/16 (246)	12	10-1/2 (267)
35849A-10	EW17	2 (178)	9-11/16 (246)	12	10-1/2 (267)
35849A-11	EW132	2 (51)	4 (102)	8	5 (127)
35849A-12	EW64	3 (76)	5-1/8 (130)	8	6 (152)
35849A-13	EW28	5 (130)	7-11/16 (195)	12	8-1/2 (216)
35849A-14	EW52	3 (76)	6-11/16 (170)	12	7-1/2 (190)
35849A-15	EW90	2 (51)	4 (102)	8	5 (127)
35849A-16	EW77	3 (76)	5-1/8 (130)	8	6 (152)
35849A-17	EW34	4 (102)	7-11/16 (195)	12	8-1/2 (216)
35849A-18	EW180	2 (51)	4 (102)	8	5 (127)
35849A-19	EW220	1-1/2 (38)	4 (102)	8	5 (127)
35849A-20	EW43	3 (76)	6-11/16 (170)	12	7-1/2 (190)
40656A-1	7/8" cable	2 (51)	4 (102)	8	5 (127)
40656A-2	1-5/8" cable	3 (76)	6-11/16 (170)	12	7-1/2 (190)
40656A-3	1/2" cable	1 (25)	4 (102)	8	5 (127)
40656A-5	1-1/4" cable	2-1/2 (64)	4 (102)	8	5 (127)
40656A-6	2-1/4" cable	3 (76)	6-11/16 (170)	12	7-1/2 (190)
40656A-7	5/8" cable	1-1/2 (38)	4 (102)	8	5 (127)

### Notice

The installation, maintenance, or removal of antenna systems requires qualified, experienced personnel. Andrew installation instructions have been written for such personnel. Antenna systems should be inspected once a year by qualified personnel to verify proper installation, maintenance, and condition of equipment.

Andrew disclaims any liability or responsibility for the results of improper or unsafe installation practices.

- 1** Cut the entrance hole in the roof or wall to accommodate the cable size. Refer to the chart for the proper dimension.
- 2** Insert the waveguide or cable through the entrance hole and connect it to the components inside the building.
- 3** Apply silicone grease to the hole and slit of the rubber boot. Place the boot on the waveguide or cable and over the entrance hole. Mark the locations of the mounting holes.
- 4** Remove the boot and drill the mounting holes 5/16" (8 mm) through the wall or roof. For concrete, either drill holes through the material or drill larger holes deep enough to insert bolt anchors.
- 5** Place the boot around the waveguide or cable and over the entrance hole. Position the flange halves in the groove of the boot and align all of the mounting holes. Fasten the assembly with 1/4" bolts, flat washers, and nuts obtained locally. Place the sealing washers supplied under the bolt heads as shown.
- 6** Wrap the clamp around the boot as shown and tighten it with a screwdriver to ensure a leakproof seal.



**Andrew Corporation**  
10500 West 153rd Street  
Orland Park, IL U.S.A. 60462

Telephone: 708/349-3300  
FAX (U.S.A.): 1-800/349-5444  
Internet: <http://www.andrew.com>

Customer Service, 24 hours: U.S.A. • Canada • Mexico: 1-800/255-1479  
U.K.: 0800 250055  
Other Europe: +44 592 782 612

Printed in U.S.A. 1/05

Copyright © 2005 by Andrew Corporation