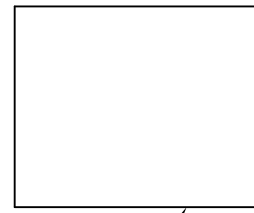
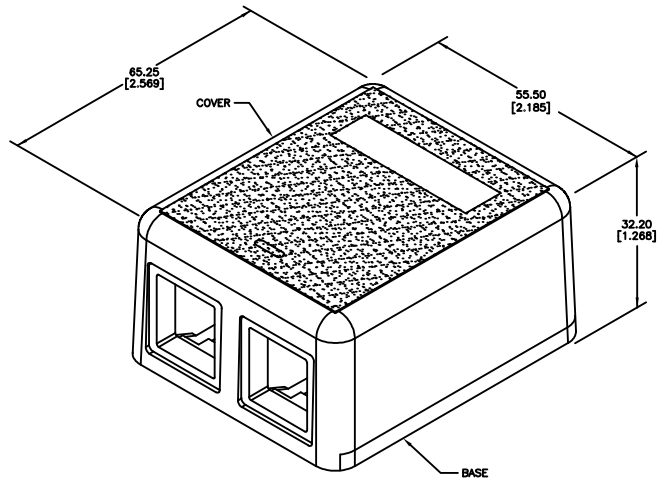


THIS DRAWING IS UNPUBLISHED. RELEASED FOR PUBLICATION
 © 2016 CommScope, INC. Confidential. THESE DRAWINGS AND SPECIFICATIONS ARE THE PROPERTY OF COMMSCOPE, INC. and may be used only for the specific purpose authorized in writing by COMMSCOPE, INC.

REVISIONS				
P	LR	DESCRIPTION	DATE	DRW / PWD
D		40052269CM0	08DEC2017	LS / CC

- △ MATERIAL: BASE AND COVER - ABS MOLDING COMPOUND UL94V-0. SEE TABLE FOR COLOR.
 CABLE TIE - NYLON
 SCREWS - ZINC PLATED CARBON STEEL.
- PACKAGED 1 KIT PER POLYBAG.
 - ALL DIMENSIONS SHOWN ARE MAXIMUM.



DOUBLE SIDED FOAM TAPE
 QUANTITY 1



COMBINATION HEAD SCREW
 SELF TAPPING 6 X 20mm
 QUANTITY 2



CABLE TIE
 QUANTITY 1

SUPERSEDED BY 1116698-1	ALPINE WHITE	1-1116698-3
SUPERSEDED BY 1116698-1	ELECTRIC IVORY	1-1116698-1
SUPERSEDED BY 1116698-1	NEMA GRAY	1116698-4
SUPERSEDED BY 1116698-1	BLACK	1116698-2
	LIGHT ALMOND	1116698-1
	COLOR	PART NUMBER

THIS DRAWING IS A CONTROLLED DOCUMENT.

DRW	G. GARRETT	17AUG09
CHK	G. BOWMAN	17AUG09
APPV	G. BOWMAN	17AUG09
NAME	COMMSCOPE, INC.	
PRODUCT SPEC	KIT, DUAL PORT MODULAR JACK BOX	
APPLICATION SPEC	-	
WEIGHT	-	RESTRICTED TO
SIZE	A2	00779
CAGE CODE	C=1116698	
DRAWING NO	-	
CUSTOMER DRAWING	SCALE 2:1	SHEET 1 of 1
		REV D

DIMENSIONS:	TOLERANCES UNLESS OTHERWISE SPECIFIED:
mm [INCHES]	
0 PLC	± -
1 PLC	± -
2 PLC	± -
3 PLC	± -
4 PLC	± -
ANGLES:	± -
FINISH	-

1116698