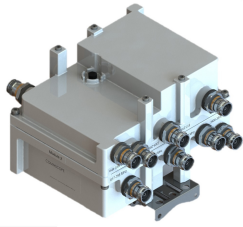


SQX682335T-43 | E14F15P27



Compact Twin Quadplexer 617-798/817-2180/2305-2690/ 3400-3800 MHz, 4.3-10 connectors

- New Combining Solution to introduce 5G, 3.5GHz band
- BTS-to-feeder and feeder-to-antenna application
- New 4.3-10 connectors for improved PIM performance and size reduction
- dc/AISG blocking on all ports
- Suitable for space limited applications like Metro Cell, Lamp Pole, Concealment Solution and Macro Site
- Ideal for small cell applications

Product Classification

Product Type Triplexer

General Specifications

Color Gray

Common Port Label COMM

Modularity 2-Twin

Mounting Pole | Wall

Mounting Pipe Hardware Band clamps (2)

RF Connector Interface 4.3-10 Female

RF Connector Interface Body Style Long neck

Dimensions

Height 162 mm | 6.378 in

Width 213 mm | 8.386 in

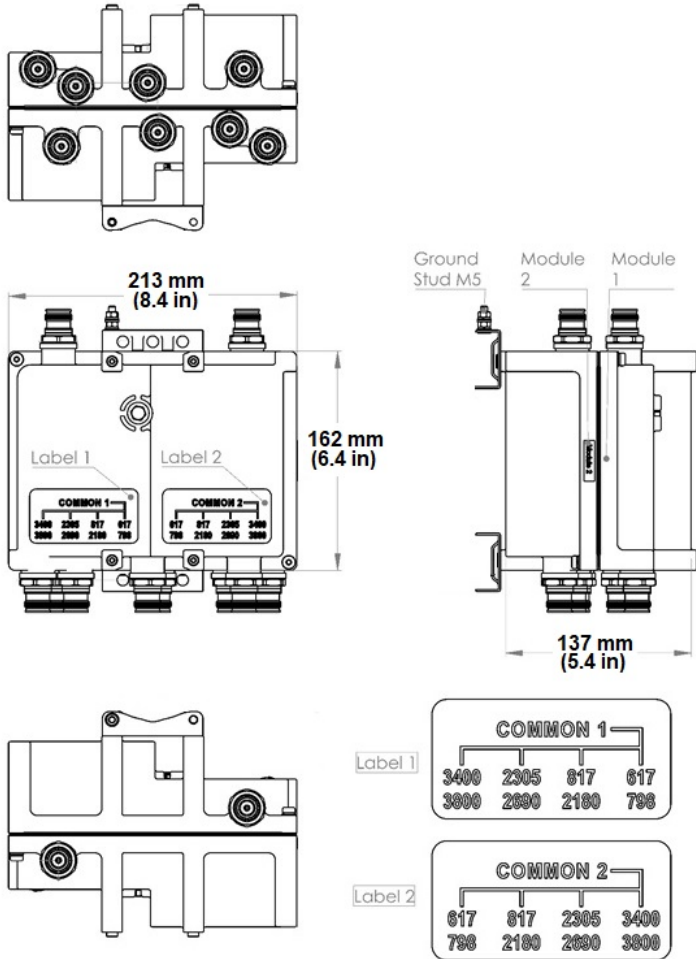
Depth 137 mm | 5.394 in

Ground Screw Diameter 5 mm | 0.197 in

Mounting Pipe Diameter Range 42.6–122 mm

Outline Drawing

SQX682335T-43 | E14F15P27



Electrical Specifications

Impedance	50 ohm
License Band, Band Pass	APT 700 AWS 1700 CEL 850 CEL 900 DCS 1800 EDD 800 IMT 2100 IMT 2600 LMR 750 LMR 800 LMR 900 PCS 1900 TDD 3500 USA 600 USA 700 USA 750 WCS 2300

Electrical Specifications, dc Power/Alarm

dc/AISG Pass-through Method	No dc/AISG pass-through
Lightning Surge Current	5 kA
Lightning Surge Current Waveform	8/20 waveform
Voltage	7–32 Vdc

Electrical Specifications

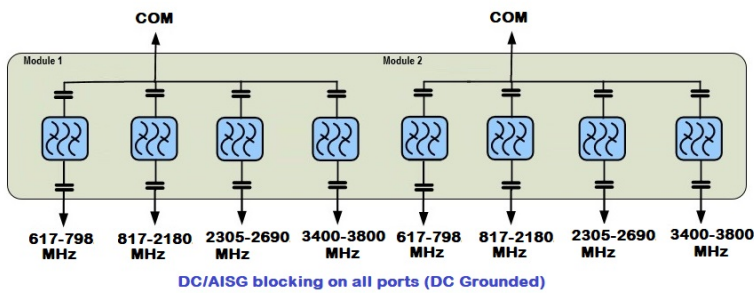
SQX682335T-43 | E14F15P27

Sub-module	1 2	1 2	1 2	1 2	1 2
Branch	1	2	2	3	4
Port Designation	617-798	817-2180	817-2180	2305-2690	3400-3800
License Band	USA 700, Band Pass USA 750, Band Pass USA 600, Band Pass	LMR 800, Band Pass CEL 850, Band Pass CEL 900, Band Pass IMT 2100, Band Pass	PCS 1900, Band Pass AWS 1700, Band Pass AWS 2000, Band Pass	TDD 2300, Band Pass IMT 2600, Band Pass	TDD 3500, Band Pass

Electrical Specifications, Band Pass

Frequency Range, MHz	617-798	817-894	1695-2180	2305-2690	3400-3800
Insertion Loss, maximum, dB	0.55	0.55	0.35	0.3	0.35
Insertion Loss, typical, dB	0.2	0.2	0.1	0.15	0.15
Total Group Delay, maximum, ns	55	50	20	20	15
Return Loss, minimum, dB	18	18	18	18	18
Return Loss, typical, dB	20	20	20	20	20
Isolation, minimum, dB	40	40	40	40	40
Input Power, RMS, maximum, W	4	4	4	4	4
Input Power, PEP, maximum, W	40	40	40	40	40
3rd Order PIM, maximum, dBc	-155	-155	-155	-155	-155
3rd Order PIM Test Method	Two +33 dBm carriers	Two +33 dBm carriers	Two +33 dBm carriers	Two +33 dBm carriers	Two +33 dBm carriers

Block Diagram



Environmental Specifications

Operating Temperature	-40 °C to +65 °C (-40 °F to +149 °F)
Relative Humidity	Up to 100%

SQX682335T-43 | E14F15P27

Corrosion Test Method IEC 60068-2-11, 30 days

Ingress Protection Test Method IEC 60529:2001, IP67

Packaging and Weights

Included Mounting hardware

Mounting Hardware Weight 0.2 kg | 0.441 lb

Volume 4.8 L

Weight, without mounting hardware 6.1 kg | 13.448 lb