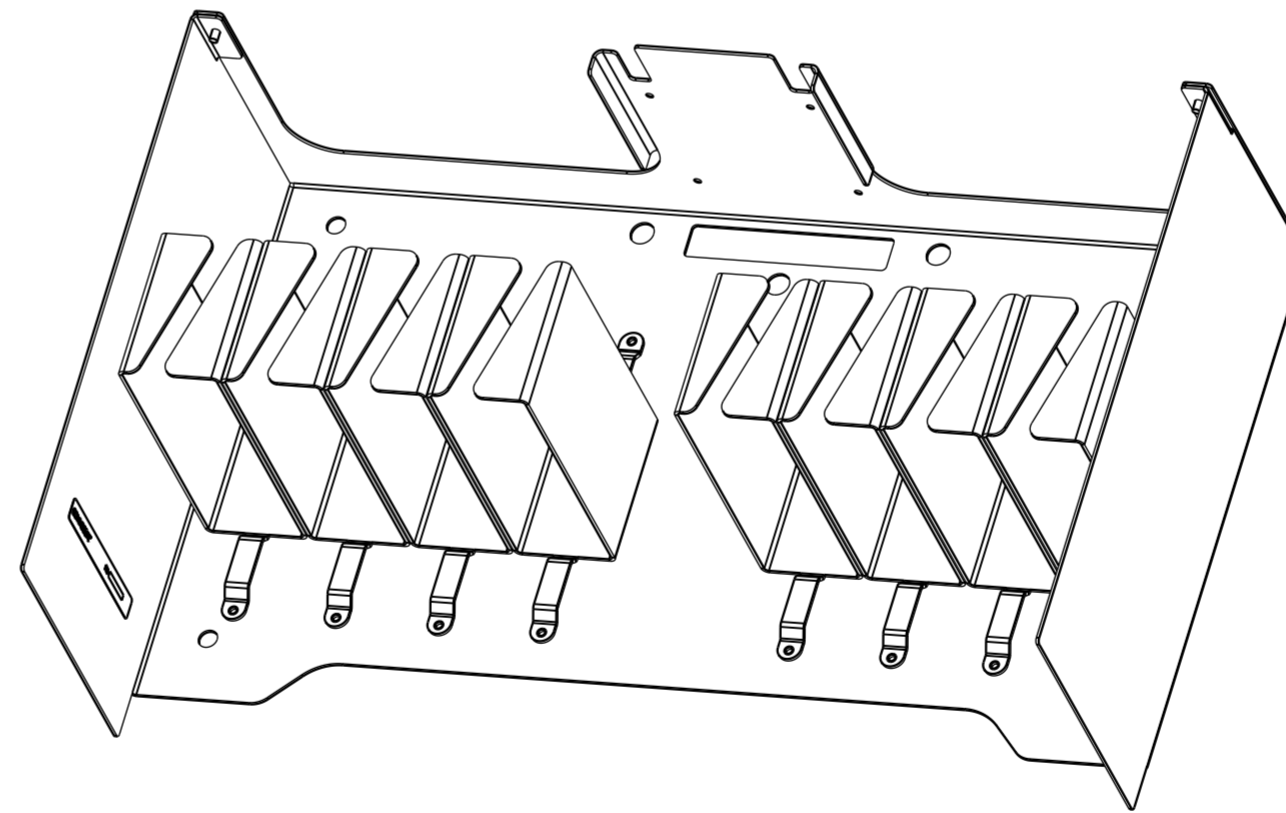
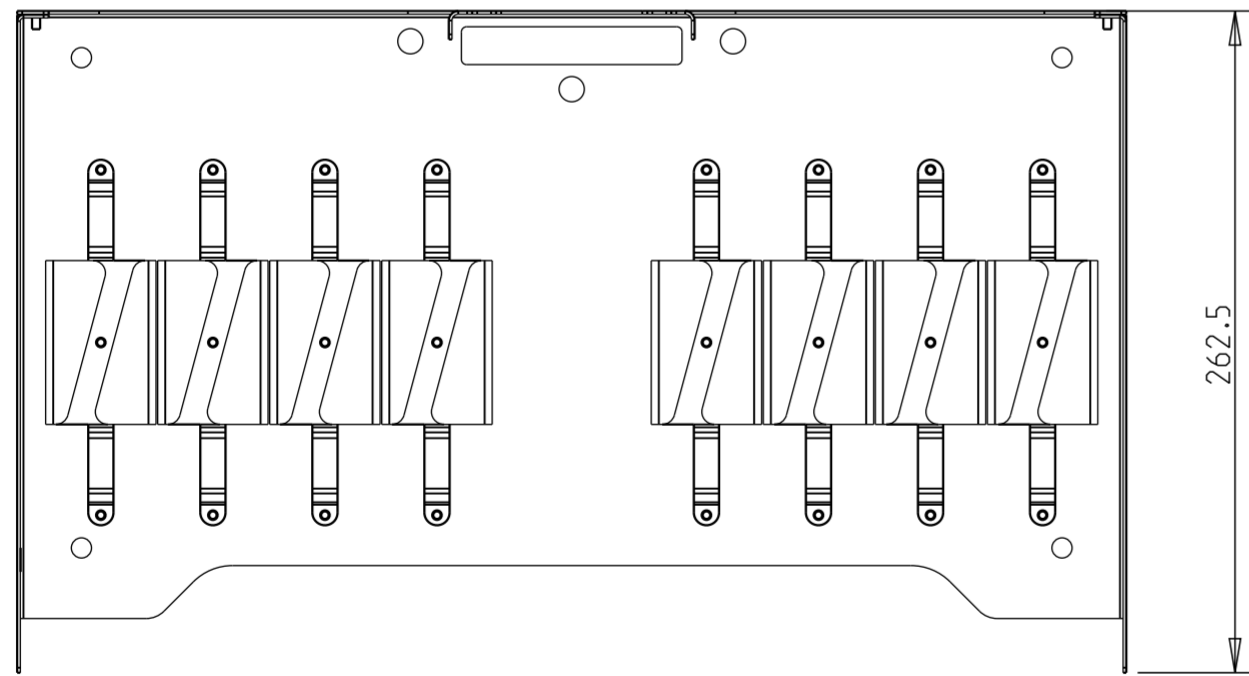
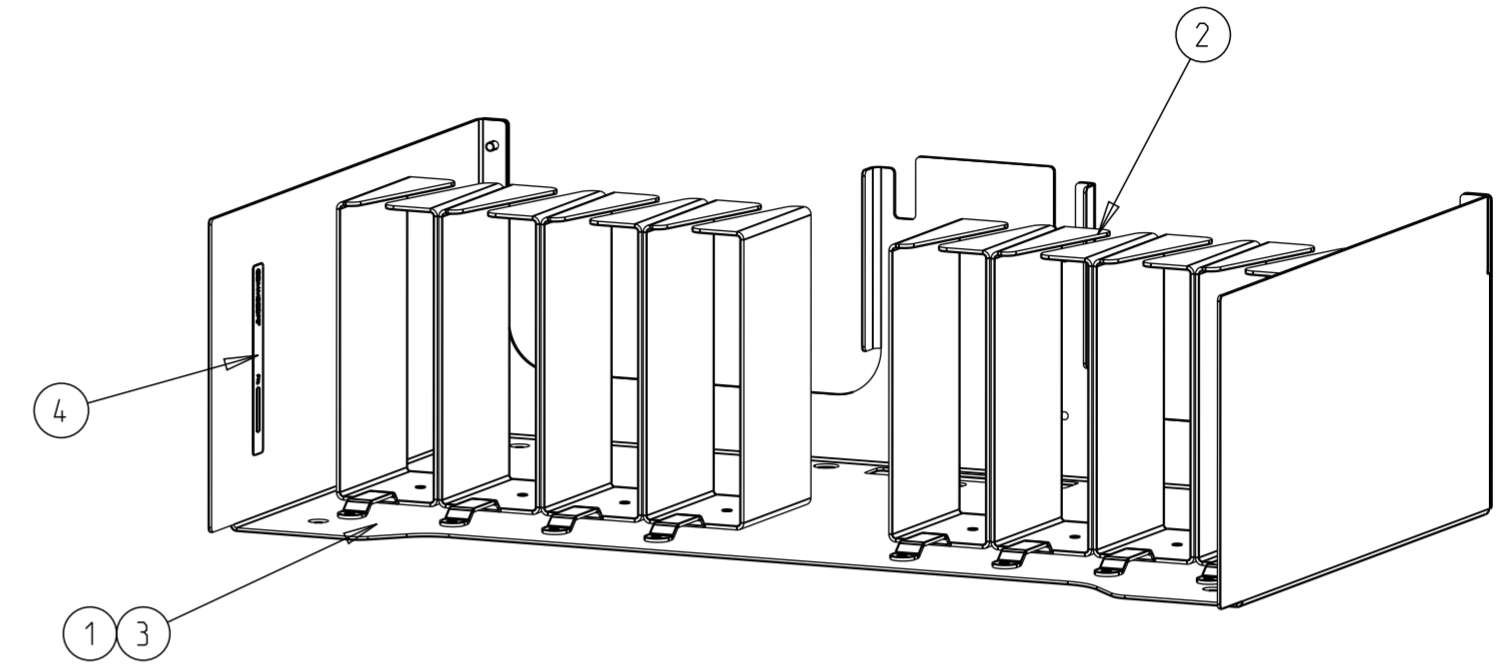
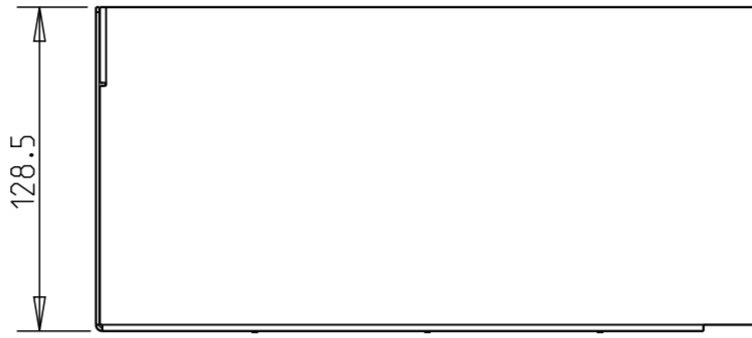
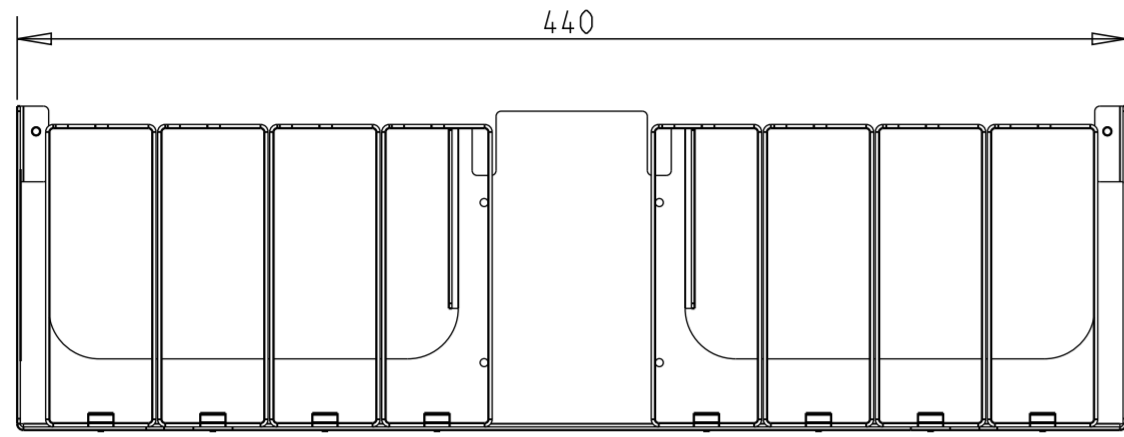


THIS DRAWING IS UNPUBLISHED. RELEASED FOR PUBLICATION 2012
 © 2016 COMMSCOPE, INC. CONFIDENTIAL NOTICE: THESE DRAWINGS AND SPECIFICATIONS ARE THE PROPRIETARY PROPERTY OF COMMSCOPE, INC. AND MAY BE USED ONLY FOR THE SPECIFIC PURPOSE AUTHORIZED IN WRITING BY COMMSCOPE, INC.

REVISIONS				
P	LTR	DESCRIPTION	DATE	APVD
B		ECR-13-002234	08FEB2013	WDV HB
C		ECN 8000017762 - REBRANDING	01DEC2016	OV LS



1	Label with PN	4
24	Spot Fast Fastener SF-3-1.6-ZI	3
8	CM Bracket Cisco Switch	2
1	Base Box Cisco Switch	1
-1		
QTY	DESCRIPTION	ITEM

THIS DRAWING IS A CONTROLLED DOCUMENT.		DWN W. DE VIS 23NOV2012	COMMSCOPE, INC.	
DIMENSIONS: mm		CHK H. BLEUS 23NOV2012		
TOLERANCES UNLESS OTHERWISE SPECIFIED:		APVD D. THUIS 23NOV2012	NAME Vertical Cable Guide	
0 PLC ±		PRODUCT SPEC	SIZE CAGE CODE DRAWING NO RESTRICTED TO	
1 PLC ±		APPLICATION SPEC	A2 - C-1671633 -	
2 PLC ±		WEIGHT	SCALE SHEET OF REV	
3 PLC ±			0.333 1 OF 1 C	
4 PLC ±				
ANGLES ±				
FINISH				
MATERIAL				
		Customer Drawing		