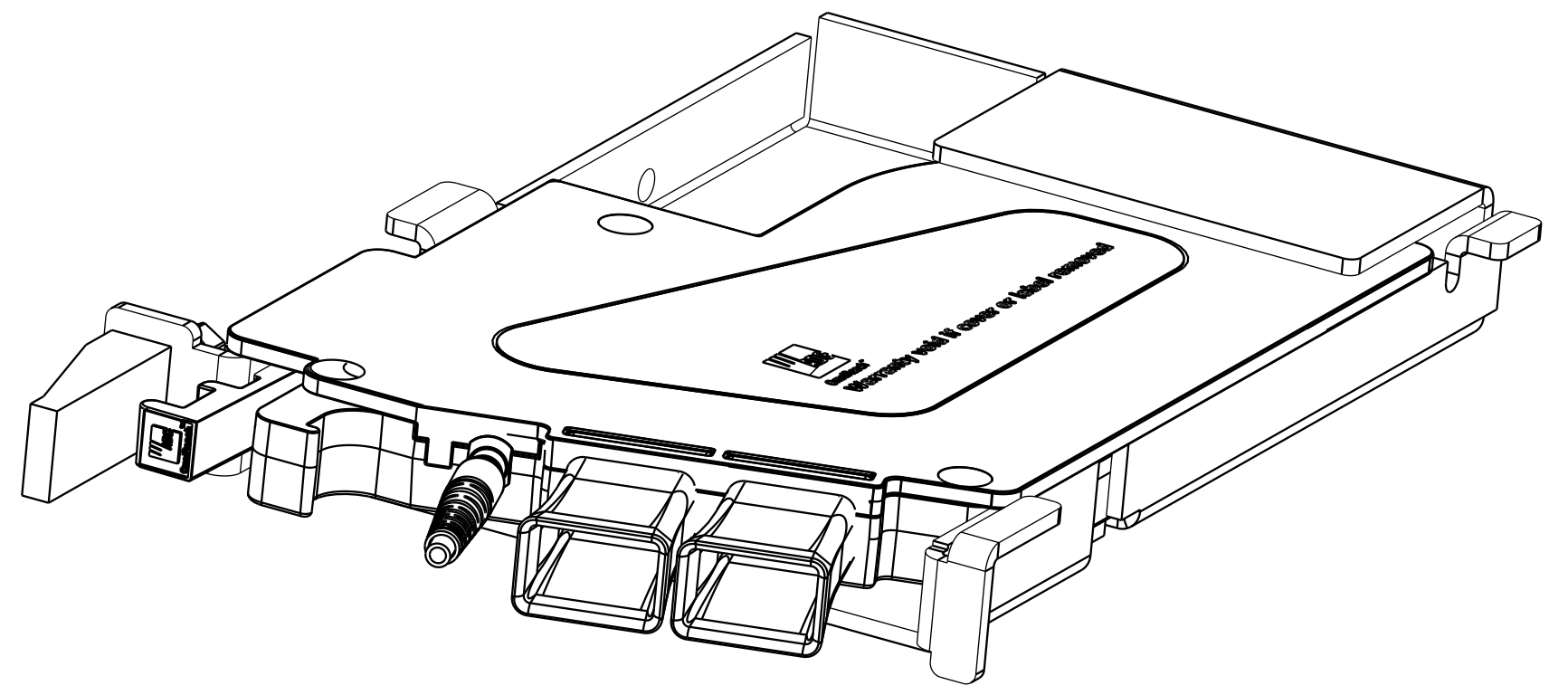
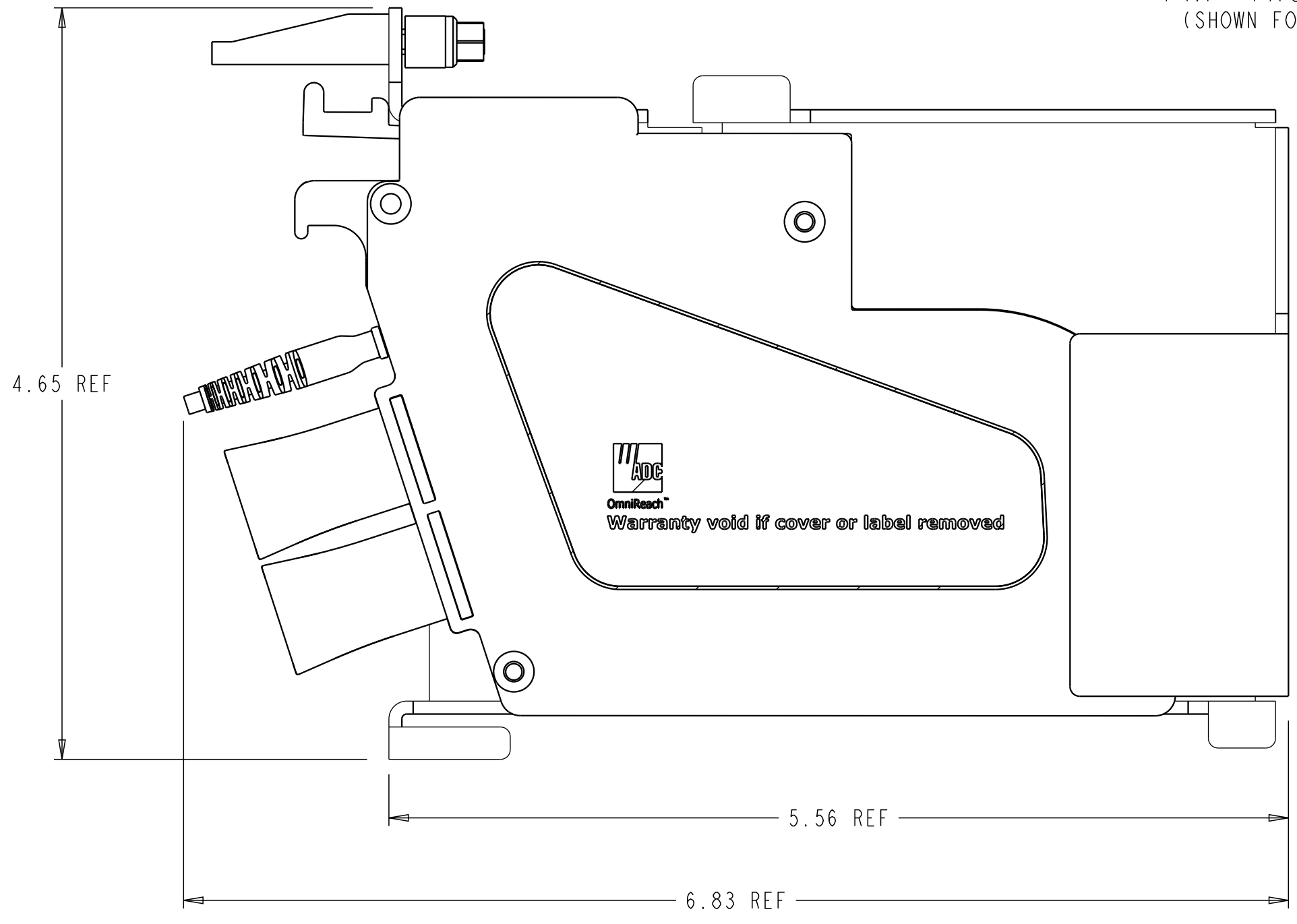
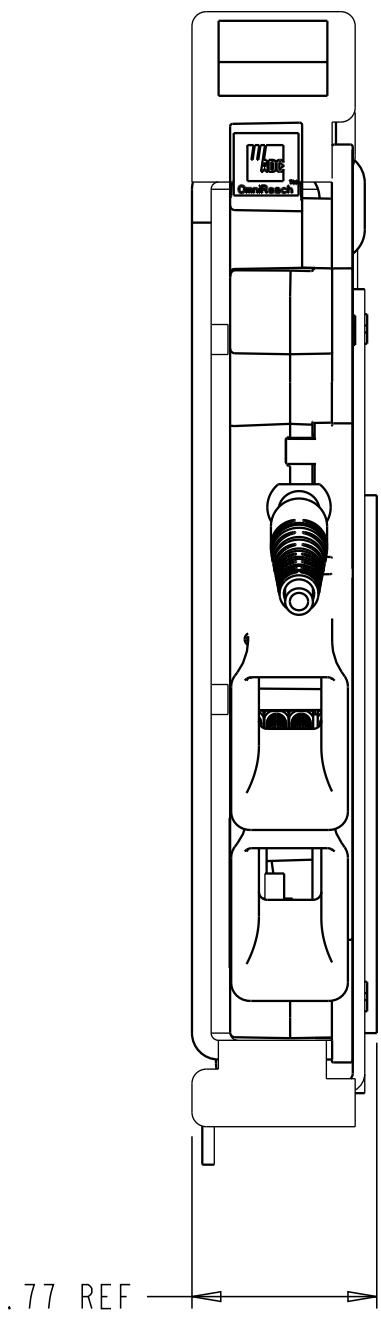


REV	MCO	DWN	DATE
C	40022541MCO	OAVL	19-JUN-15
D	8000018625	NERI	03-JAN-17



PNP 1X32 MODULE  
(SHOWN FOR REFERENCE)



- NOTES:**
- ASSEMBLE PNP MODULE INTO OMX ADAPTER BRACKET AS SHOWN IN FIGURE A.
  - INSTALL PNP MODULE AND OMX ADAPTER BRACKET ASSEMBLED (PER FIGURE A) INTO OMX PANEL AS SHOWN IN FIGURE B.

<b>FPS-MPP4GNS-OMX</b>	2X32	APC/LC	UPC/SC
<b>FPS-MPP4AJJ-OMX</b>	1X32	APC/SC	APC/SC
<b>CATALOG NUMBER</b>	<b>SPLITTER TYPE</b>	<b>OUTPUT CONNECTOR</b>	<b>INPUT CONNECTOR</b>

© 2016 COMMSCOPE, INC. CONFIDENTIAL  
NOTICE: THESE DRAWINGS AND SPECIFICATIONS ARE THE PROPRIETARY PROPERTY OF COMMSCOPE, INC. AND MAY BE USED ONLY FOR THE SPECIFIC PURPOSE AUTHORIZED IN WRITING BY COMMSCOPE, INC.

TITLE: INSTALL DRW, OMX ADPT BRACKET

COMMSCOPE, INC.

ALL DIMS AND TOLERANCES ARE INCHES UNLESS OTHERWISE SPECIFIED

DRAWING NUMBER: 1681189\_ADC

DO NOT SCALE DRAWING

ENGR: G. GARCIA  
DWN: G. GARCIA

SHT. 1 OF 2

DIMENSIONS IN INCHES  
THIRD ANGLE PROJECTION

A

B

C

D

1

2

3

4

1

2

3

4

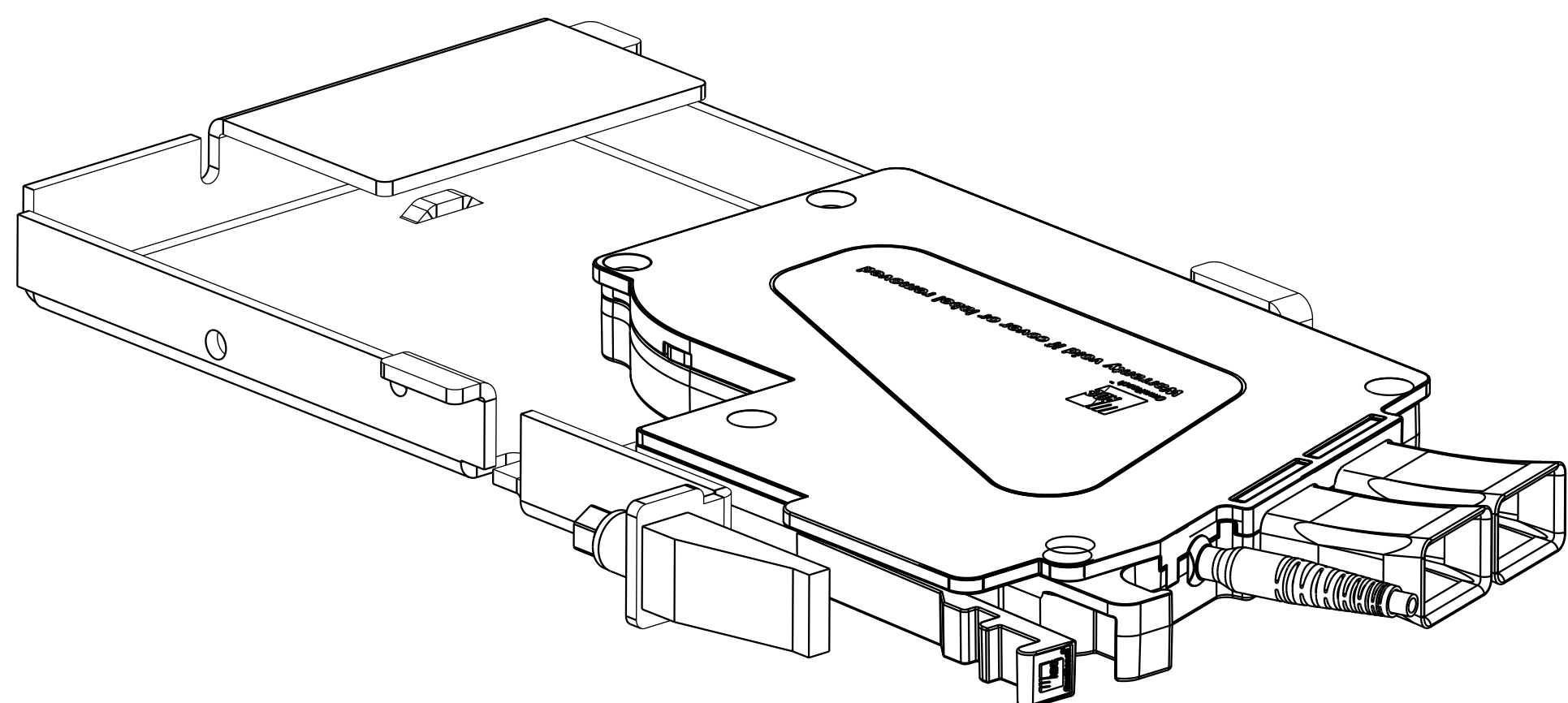


FIGURA A  
 OMX ADPT BRACKET AND PNP 1X32 MODULE ASSMBLY  
 (RIGHT SIDE SHOWN FOR REF)  
 1

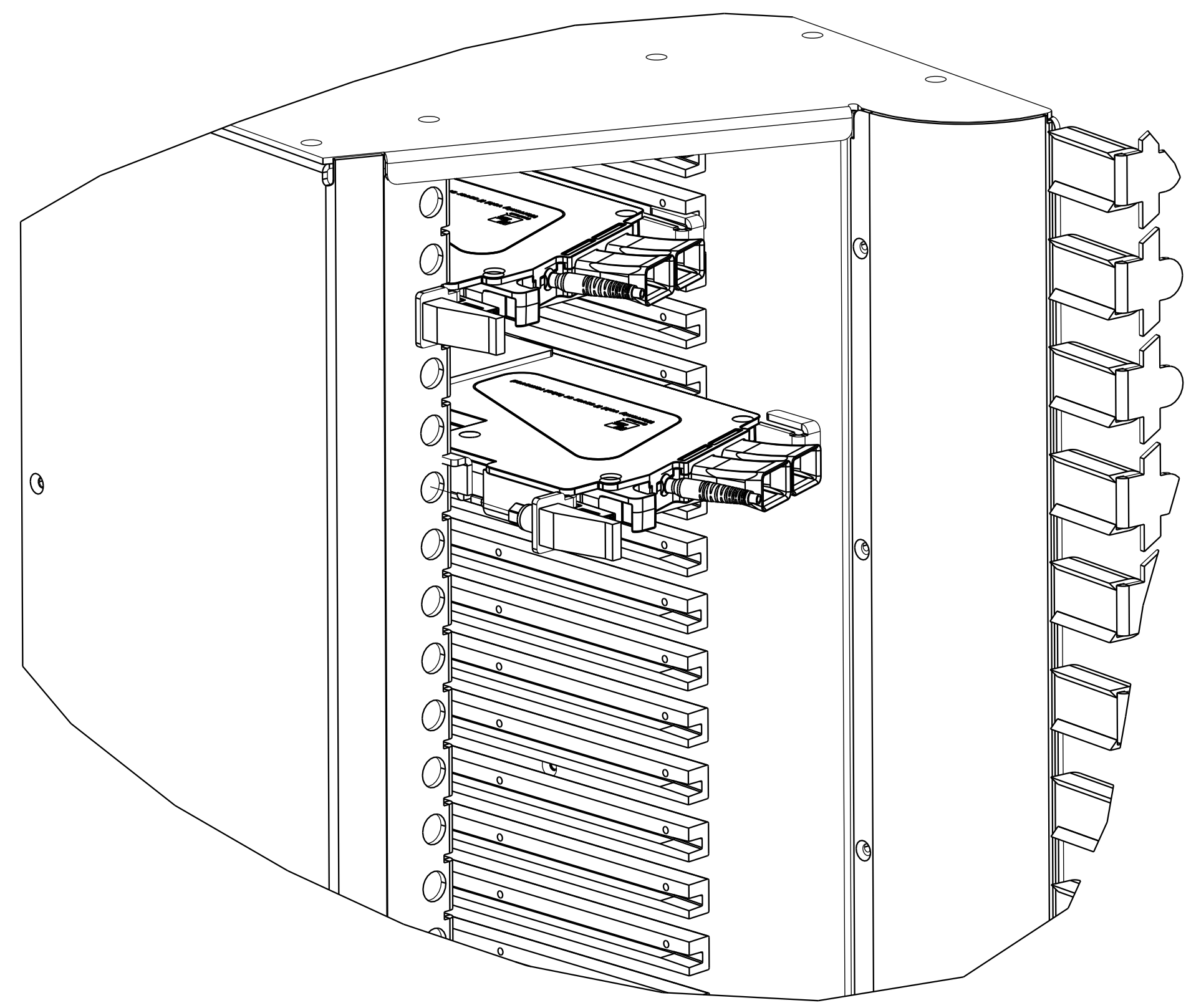


FIGURA B  
 OMX PANEL ASSEMBLY  
 (RIGHT SIDE SHOWN FOR REF)  
 2

COMMSCOPE, INC.

<small>© 2016 COMMSCOPE, INC. CONFIDENTIAL          NOTICE: THESE DRAWINGS AND SPECIFICATIONS          ARE THE PROPRIETARY PROPERTY OF          COMMSCOPE, INC. AND MAY BE USED ONLY FOR THE          SPECIFIC PURPOSE AUTHORIZED IN WRITING BY          COMMSCOPE, INC.</small>		TITLE INSTALL DRW, OMX ADPT BRACKET	
<small>ALL DIMS AND TOLERANCES          ARE INCHES UNLESS          OTHERWISE SPECIFIED</small>	<small>.XX:±N/A          .XXX:±N/A          ANGULAR:±N/A</small>	C SIZE DRAWING NUMBER 1681189_ADC	D REV
DO NOT SCALE DRAWING		ENGR: G. GARCIA DWN: G. GARCIA	SHT. 2 OF 2

DIMENSIONS IN INCHES  
 THIRD ANGLE PROJECTION