

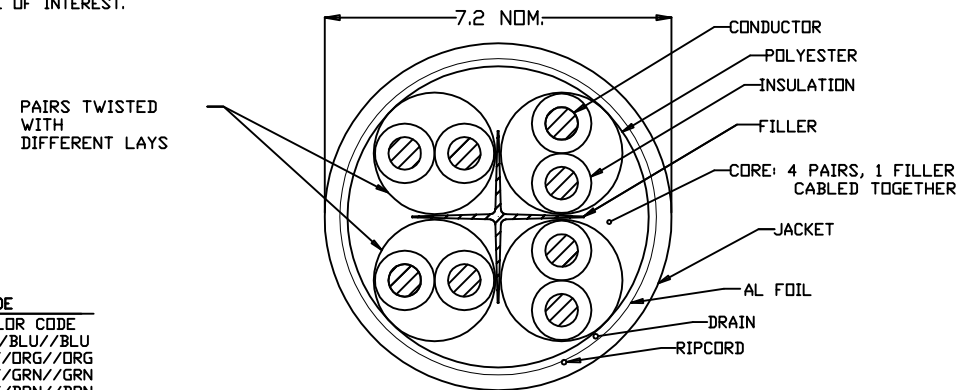
THIS DRAWING IS UNPUBLISHED. RELEASED FOR PUBLICATION
 © 2016 Commscope, INC. Confidential. THESE DRAWINGS AND SPECIFICATIONS ARE THE PROPRIETARY PROPERTY OF COMMSCOPE, INC. AND MAY BE USED ONLY FOR THE SPECIFIC PURPOSES AUTHORIZED BY ACTS OF COMMSCOPE, INC.

REVISIONS				
P	LR	DESCRIPTION	DATE	DRN / APD
G		40033401MCO	18SEP2016	RL / GW

FREQUENCY (MHz)	ATTENUATION (db/100m)	NEXT (db, WORST PR)	PSNEXT (db)	ACRF (db, WORST PR)	PSACRF (db)	DELAY (ns/100m)	RL (db)	IMPEDANCE (ohms)
	MAXIMUM	MINIMUM	MINIMUM	MINIMUM	MINIMUM	MAXIMUM	MINIMUM	
1	2.1	74.3	72.3	67.8	64.8	570	20.0	100±15
4	3.8	65.3	63.3	55.8	52.8	552	23.0	100±15
8	5.3	60.8	58.8	49.7	46.7	547	24.5	100±15
10	5.9	59.3	57.3	47.8	44.8	545	25.0	100±15
16	7.5	56.2	54.2	43.7	40.7	543	25.0	100±15
20	8.4	54.8	52.8	41.8	38.8	542	25.0	100±15
25	9.4	53.3	51.3	39.8	36.8	541	24.3	100±15
31.25	10.5	51.9	49.9	37.9	34.9	540	23.6	100±15
62.5	15.0	47.4	45.4	31.9	28.9	539	21.5	100±15
100	19.1	44.3	42.3	27.8	24.8	538	20.1	100±22
150	23.7	41.7	39.7	24.3	21.3	537	18.9	100±22
200	27.6	39.8	37.8	21.8	18.8	537	18.0	100±22
250	31.1	38.3	36.3	19.8	16.8	536	17.3	100±25
300	34.3	37.1	35.1	18.3	15.3	536	16.8	100±25
500	45.3	33.8	31.8	13.8	10.8	536	15.2	100±25

- △ LENGTH SEQUENCE IS RETURNED TO ZERO FOR EACH LENGTH MEASUREMENT ACCURACY TO BE ±1%
- △ MATERIALS ARE SELECTED BASED ON THEIR ABILITY TO CONFORM TO UL 444 AND TIA 568 LATEST ISSUES.
- △ JACKET COLOR SHALL BE IN ACCORDANCE WITH EIA-359-A WIRE AND CABLE LIMITS OR COMMSCOPE SUPPLIED COLOR STANDARD
- △ PRINT COLOR SHALL BE BLACK EXCEPT WHITE ON BLACK JACKET
- △ PRINT DURABILITY SHALL BE PER UL 444
- 6. GOVERNING SPECIFICATIONS – LATEST REVISIONS
 TIA 568
 NEC 800
 UL 444
- △ FOR BRAZIL, DIFFERENT LEGEND ON THE JACKET.
 "ANATEL 2378-15-0757" IS BRAZIL ANATEL CERTIFICATE NUMBER.
 "NBR 14703" IS BRAZILIAN STANDARD NUMBER FOR CABLE
- △ * - UL MULTIPLE LISTING IDENTIFIER.

FOR ENGINEERING PURPOSES ONLY, ALL MEASUREMENTS ARE SWEEPED OVER THE FREQUENCY RANGE OF INTEREST.



COLOR CODE

PAIR	COLOR CODE
1	WHT/BLU//BLU
2	WHT/ORG//ORG
3	WHT/GRN//GRN
4	WHT/BRN//BRN

△ COMMSCOPE * AMP NETCONNECT CATEGORY 6A ABCDE E98256 4PR 23AWG F/UTP CMR (UL) C(UL) 75C [length] METER YYWW [tracking number]

LEGEND TO BE REPEATED EVERY METER

△ COMMSCOPE * AMP NETCONNECT CATEGORY 6A ABCDE ANATEL 2378-15-0757 NBR 14703 E98256 4PR 23AWG F/UTP CMR (UL) C(UL) 75C [length] METER YYWW [tracking number]

LEGEND TO BE REPEATED EVERY METER

COLOR	LENGTH(M)	PACKAGING	PART NUMBER
BLUE	305±1%	REEL	5-1859349-6
GRAY	305±1%	REEL	5-1859349-4
WHITE	305±1%	REEL	5-1859349-2
BLUE	305±1%	REEL	1859349-6
GRAY	305±1%	REEL	1859349-4
WHITE	305±1%	REEL	1859349-2

THIS DRAWING IS A CONTROLLED DOCUMENT. DRN: R.LI, 07JAN2016; CR: F.ZHANG, 07JAN2016; APD: W.FAN, 07JAN2016; NAME: W.FAN

COMMSCOPE, INC. CABLE, CATEGORY 6A, 4FTP, 23AWG, CMR

SIZE: A2, CAGE CODE: 00779, DRAWING NO: 1859349, RESTRICTED TO: -

CUSTOMER DRAWING, SCALE: - , SHEET: 1 of 1, REV: G

1859349