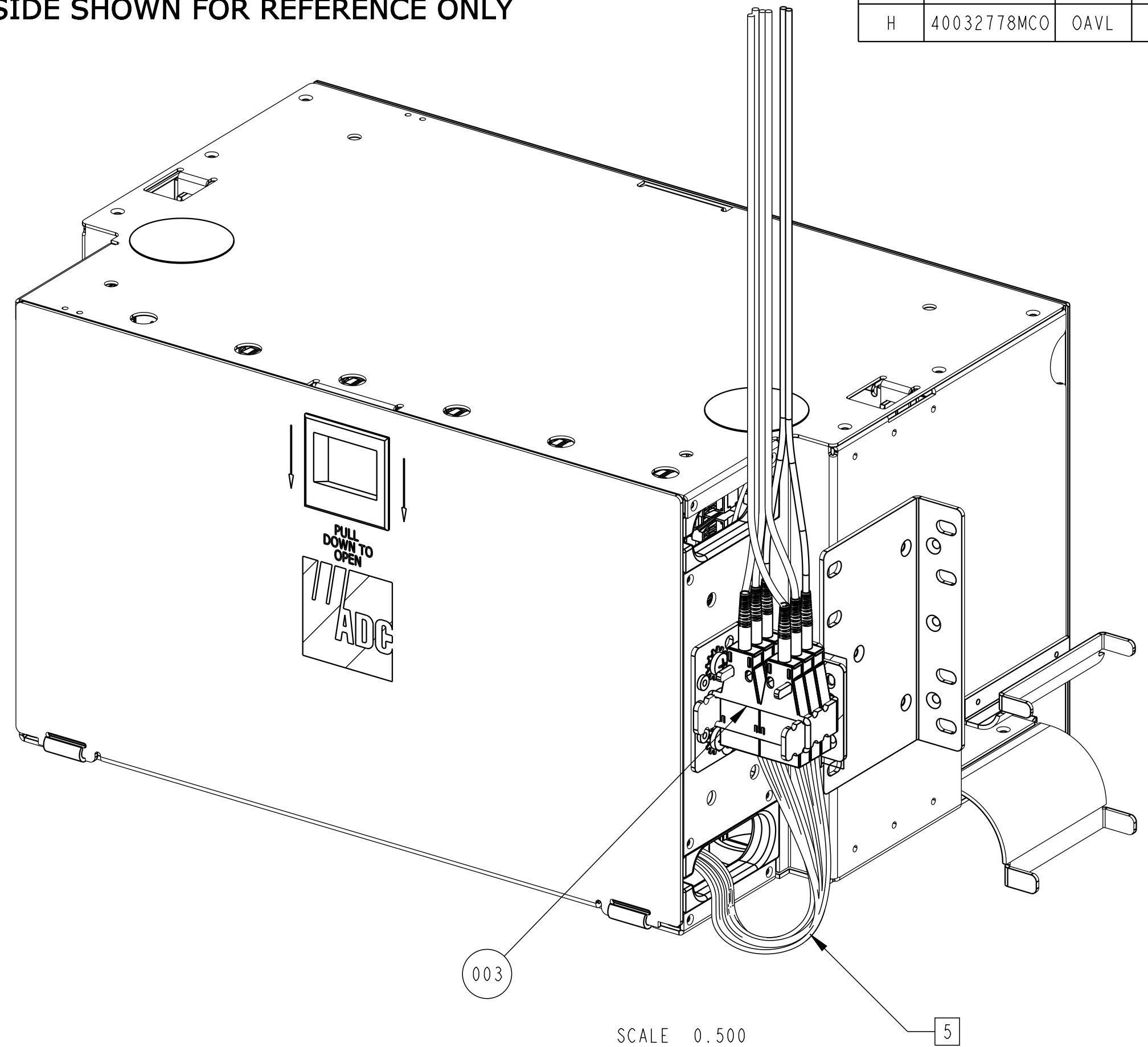
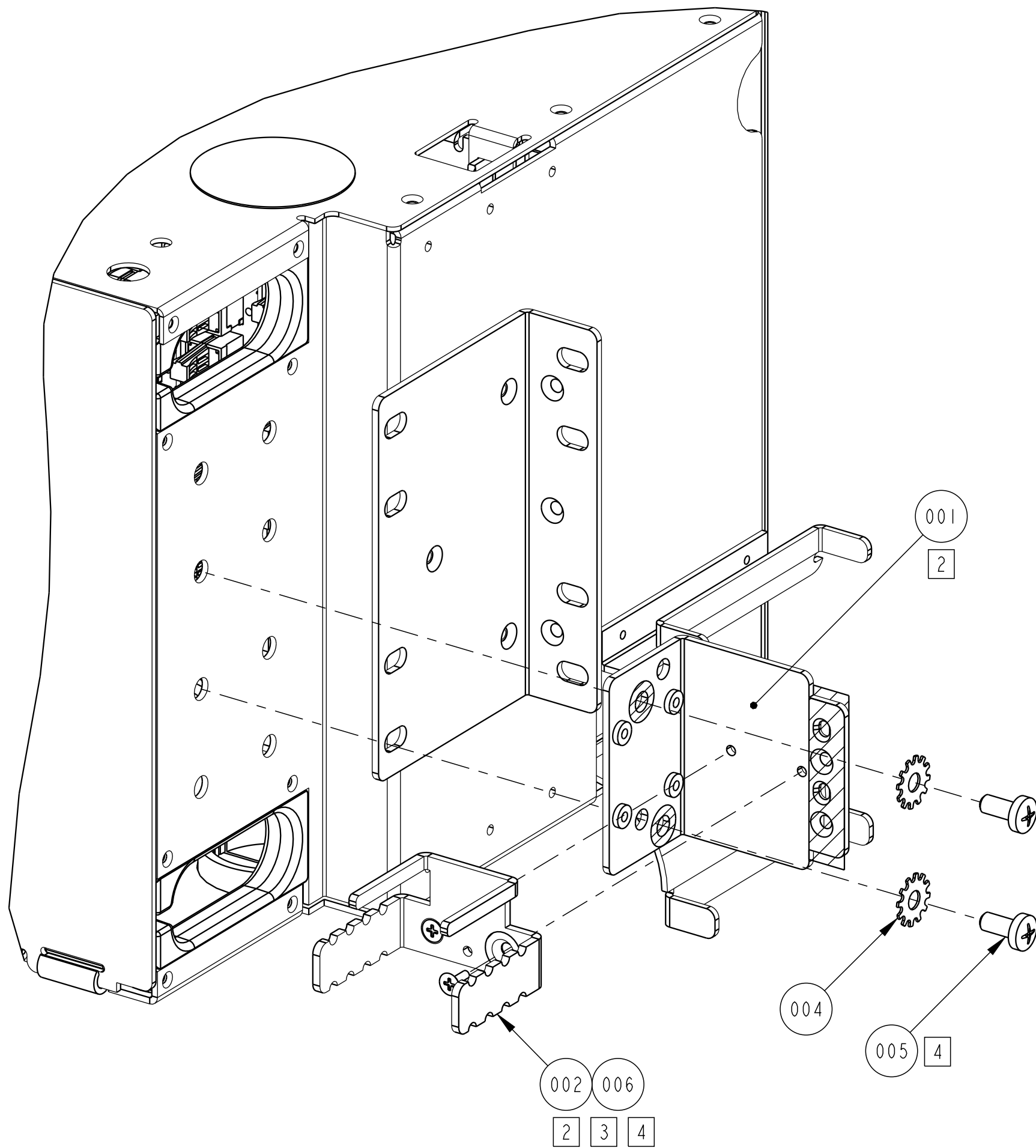


REV	MCO	DWN	DATE
G	20337620	AAG	02-MAY-13
H	40032778MCO	OAVL	10-AUG-16

BRACKETS ASSEMBLE ON RIGHT SIDE SHOWN FOR REFERENCE ONLY



SCALE 0.500

NOTES:

1. REMOVE AND DISCARD CABLE CLAMP ASSEMBLY AND CABLE SHIELD AND REPLACE IT WITH THIS KIT.
- 2 ASSEMBLE ITEM 001 TO RIGHT (SHOWN) OR LEFT SIDE OF PANEL BEFORE ASSEMBLING ITEM 002 TO ITEM 001.
- 3 ITEM 002 CAN BE ASSEMBLED IF CABLES ARE ROUTED TOP/DOWN (SHOWN) OR BOTTOM/UP.
- 4 THESE SCREWS ARE USED TO ELECTRICALLY BOND THE FANOUT BRACKET TO THE PANEL. USE AT LEAST ONE MASKED HOLE. HAND TIGHTEN WITH HAND TOOL.
- 5 TO MINIMIZE DRIP LOOP LENGTH OUTSIDE THE PANEL, ENSURE INTERNAL ROUTED FIBERS MAKE AT LEAST ONE FULL REVOLUTION INSIDE THE PANEL.
- 6 FOR 144LSX PANELS, OPTION TWO FANOUTS BRACKET WILL BE REQUIRED 1 ON EACH SIDE

006	#6-32 FLAT HEAD SCREW	2
005	#12-24 PAN HEAD SCREW	2
004	#12 STAR WASHER	2
003	O-RING	1
002	FANOUT BRACKET	1
001	MOUNTING BRACKET	1
ITEM	DESCRIPTION	QTY

CAT# LSX-ACC036

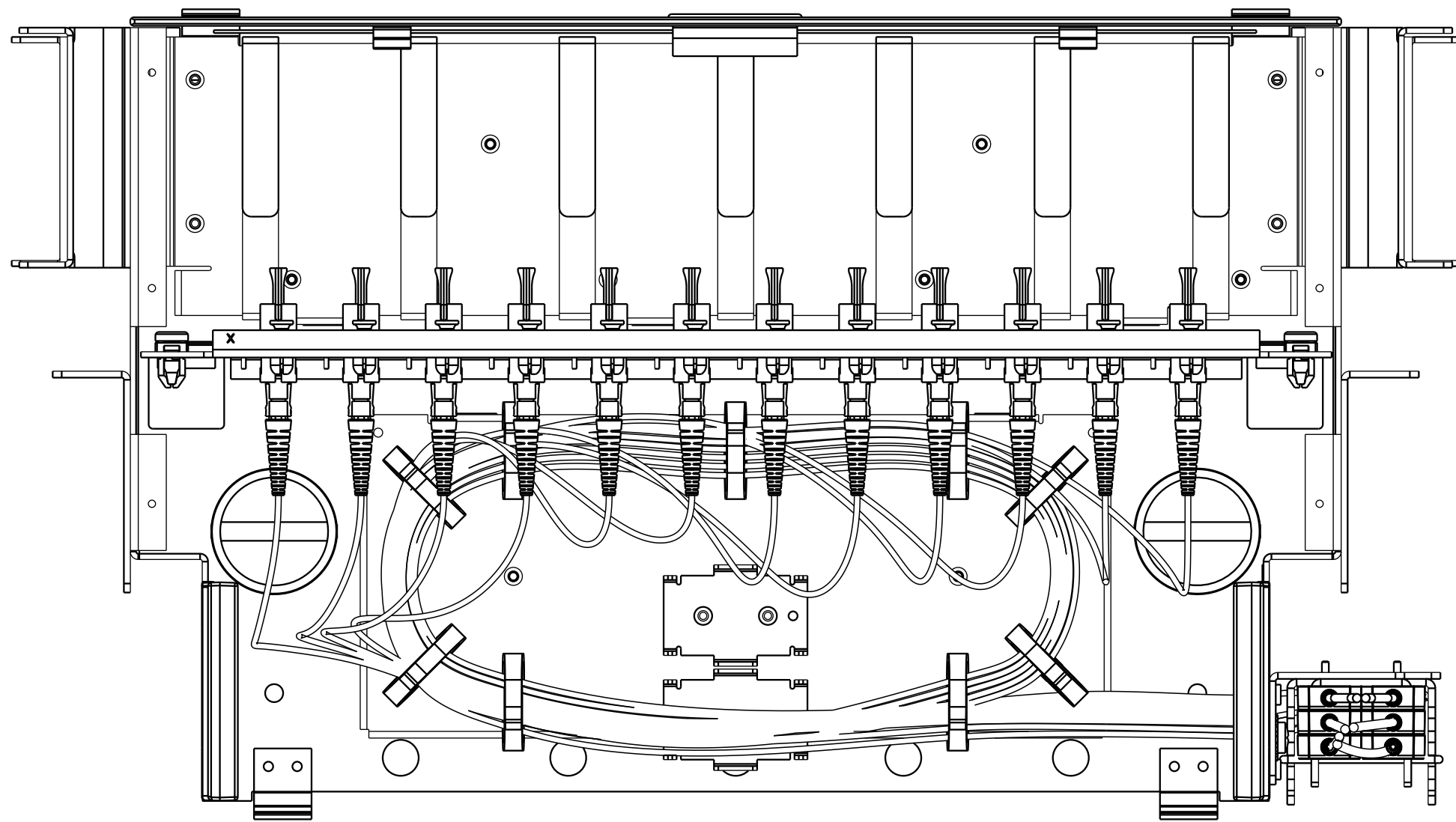
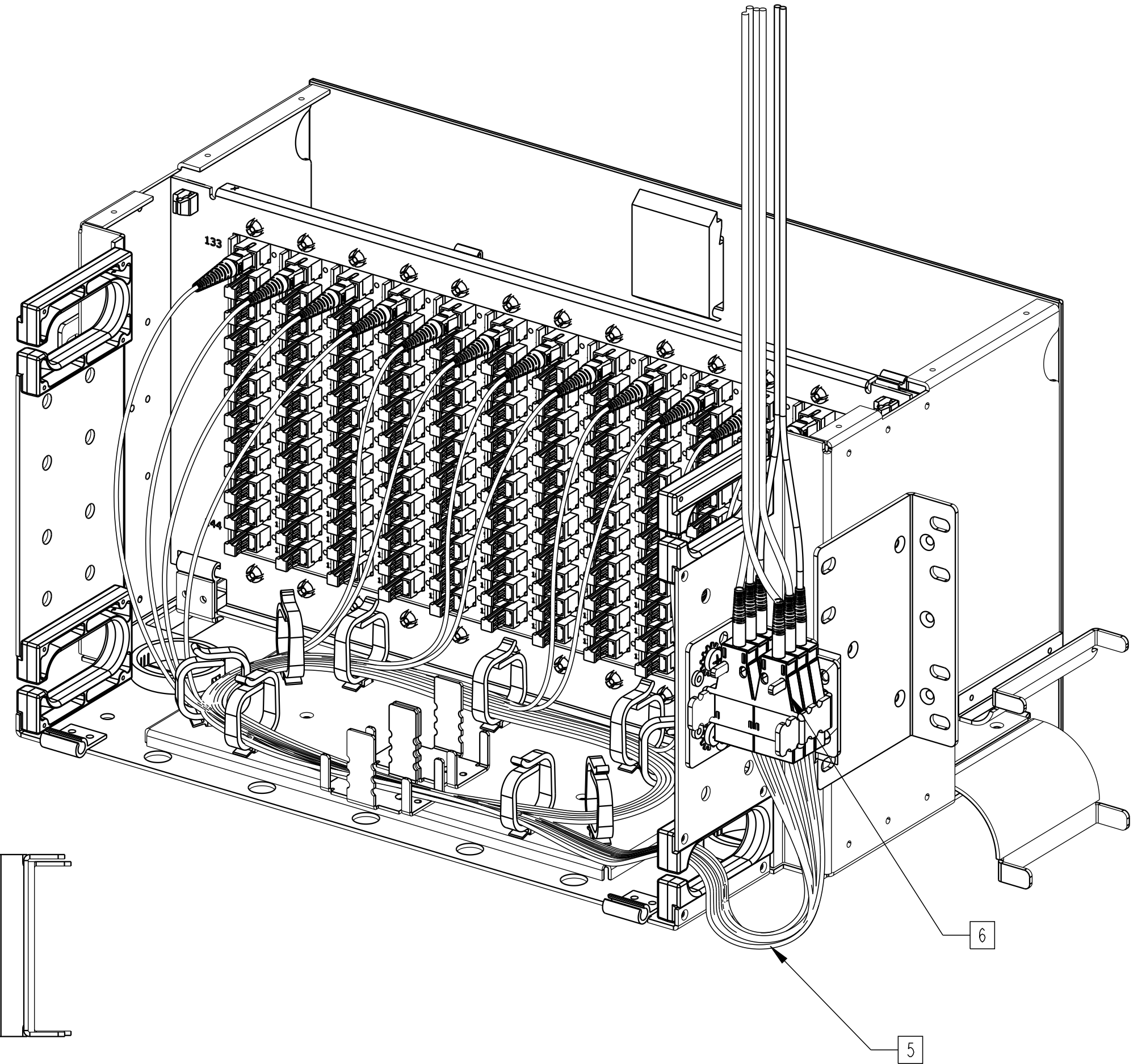
COMMSCOPE, INC.

© 2016 COMMSCOPE, INC. CONFIDENTIAL NOTICE: THESE DRAWINGS AND SPECIFICATIONS ARE THE PROPRIETARY PROPERTY OF COMMSCOPE, INC. AND MAY BE USED ONLY FOR THE SPECIFIC PURPOSE AUTHORIZED IN WRITING BY COMMSCOPE, INC.		TITLE KIT, LSX FANOUT HOLDER	
ALL DIMS AND TOLERANCES ARE INCHES UNLESS OTHERWISE SPECIFIED	.XX:±N/A .XXX:±N/A ANGULAR:±N/A	C SIZE	DRAWING NUMBER 300001731060
DO NOT SCALE DRAWING		ENGR: SCOTT SIEVERS DWN: SOUTSADA VONGSENG	H REV
		SHT. 1 OF 2	

DIMENSIONS IN INCHES
THIRD ANGLE PROJECTION

FOR REFERENCE ONLY

REAR DOOR AND TOP COVER NOT SHOWN
PARTIALLY ROUTED FIBERS
BRACKETS MOUNTED ON RIGHT SIDE



COMMSCOPE, INC.

© 2016 COMMSCOPE, INC. CONFIDENTIAL
NOTICE: THESE DRAWINGS AND SPECIFICATIONS
ARE THE PROPRIETARY PROPERTY OF
COMMSCOPE, INC. AND MAY BE USED ONLY FOR THE
SPECIFIC PURPOSE AUTHORIZED IN WRITING BY
COMMSCOPE, INC.

ALL DIMS AND TOLERANCES .XX:±N/A
ARE INCHES UNLESS .XXX:±N/A
OTHERWISE SPECIFIED ANGULAR:±N/A

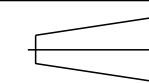
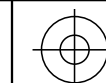
DO NOT SCALE DRAWING

ENGR: SCOTT SIEVERS
DWN: SOUTSADA VONGSENG

TITLE
KIT, LSX FANOUT
HOLDER

DRAWING NUMBER
300001731060

SHT. 2 OF 2



DIMENSIONS IN INCHES
THIRD ANGLE PROJECTION